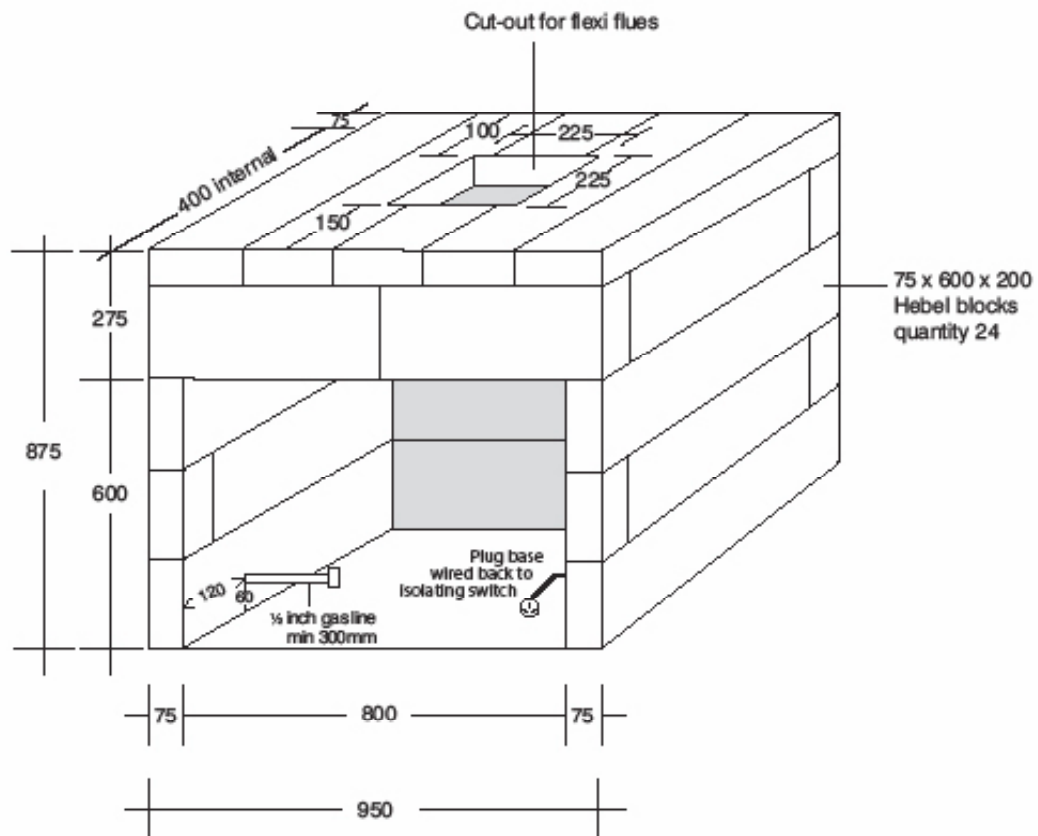


# I30

## AU Installation Specifications for I30-SUPREME and I30-COSMO (Australian Models)

### HEBEL SPECS

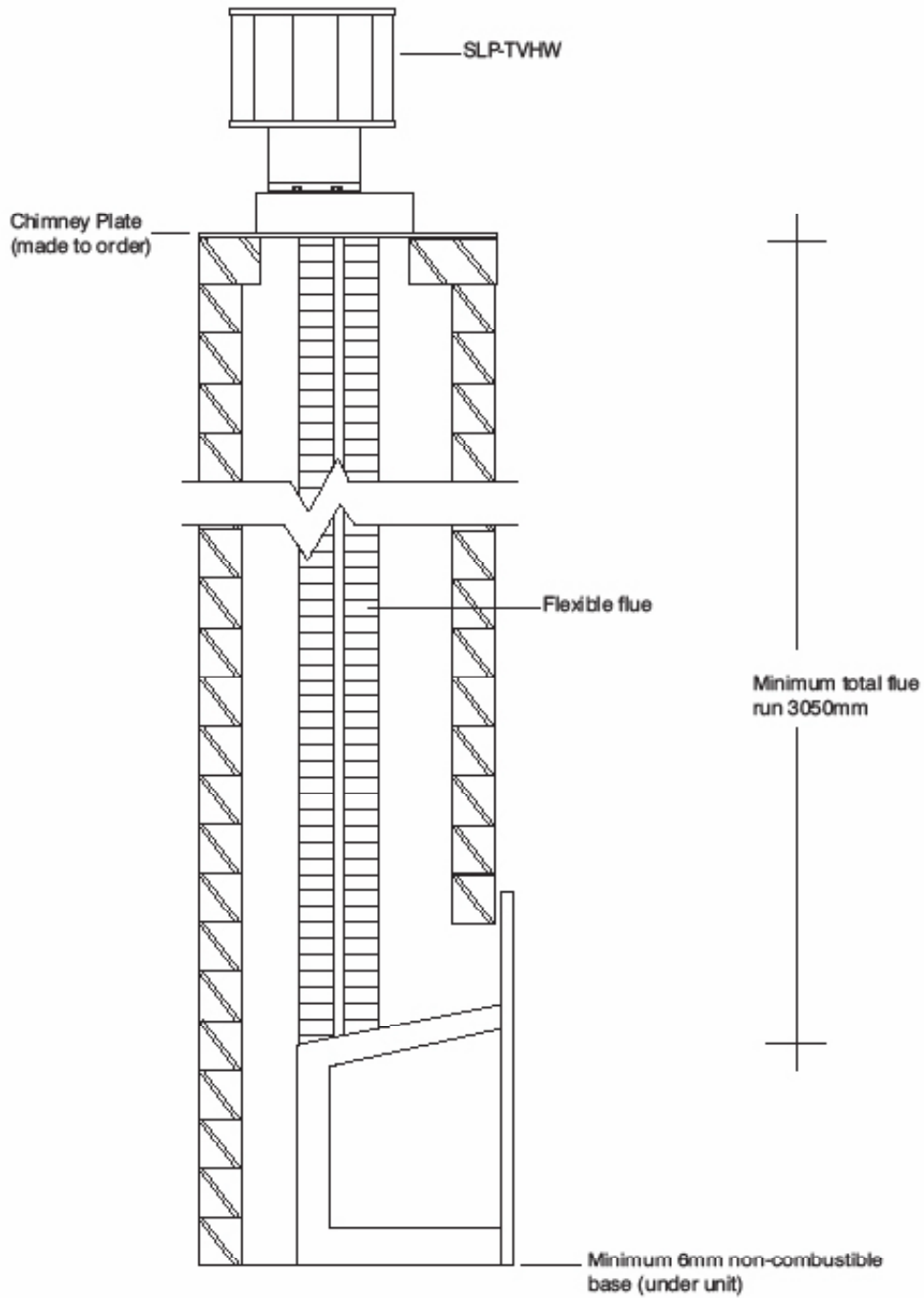


Note: Unit base to have min 6mm non-combustible base.

: If using standard front box depth can be reduced to 360mm internal.

**AU** Installation Specifications for I30-SUPREME and I30-COSMO (Australian Models)

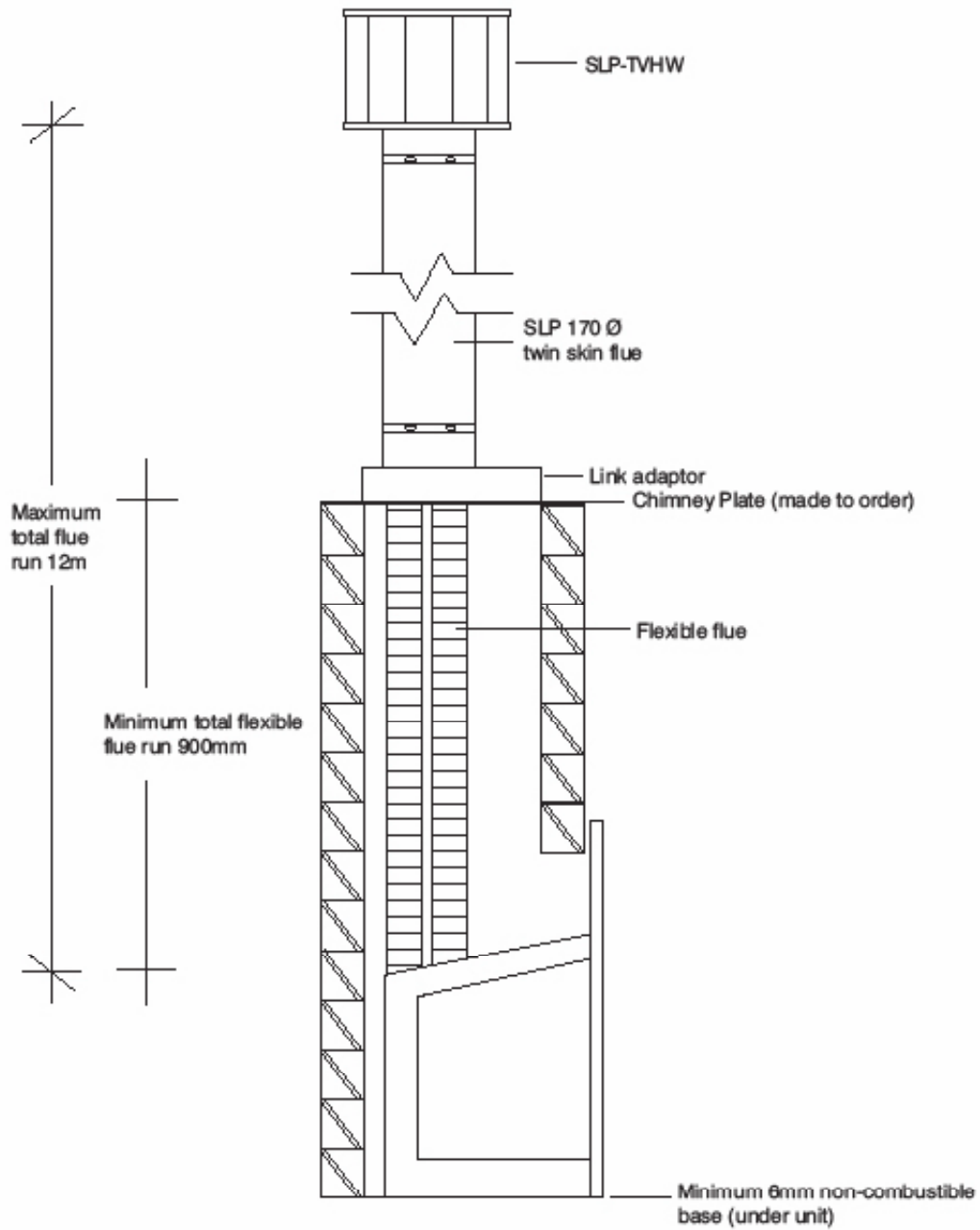
**FULL BRICK (MASONRY) CHIMNEY**



SECTION

**AU** Installation Specifications for I30-SUPREME and I30-COSMO (Australian Models)

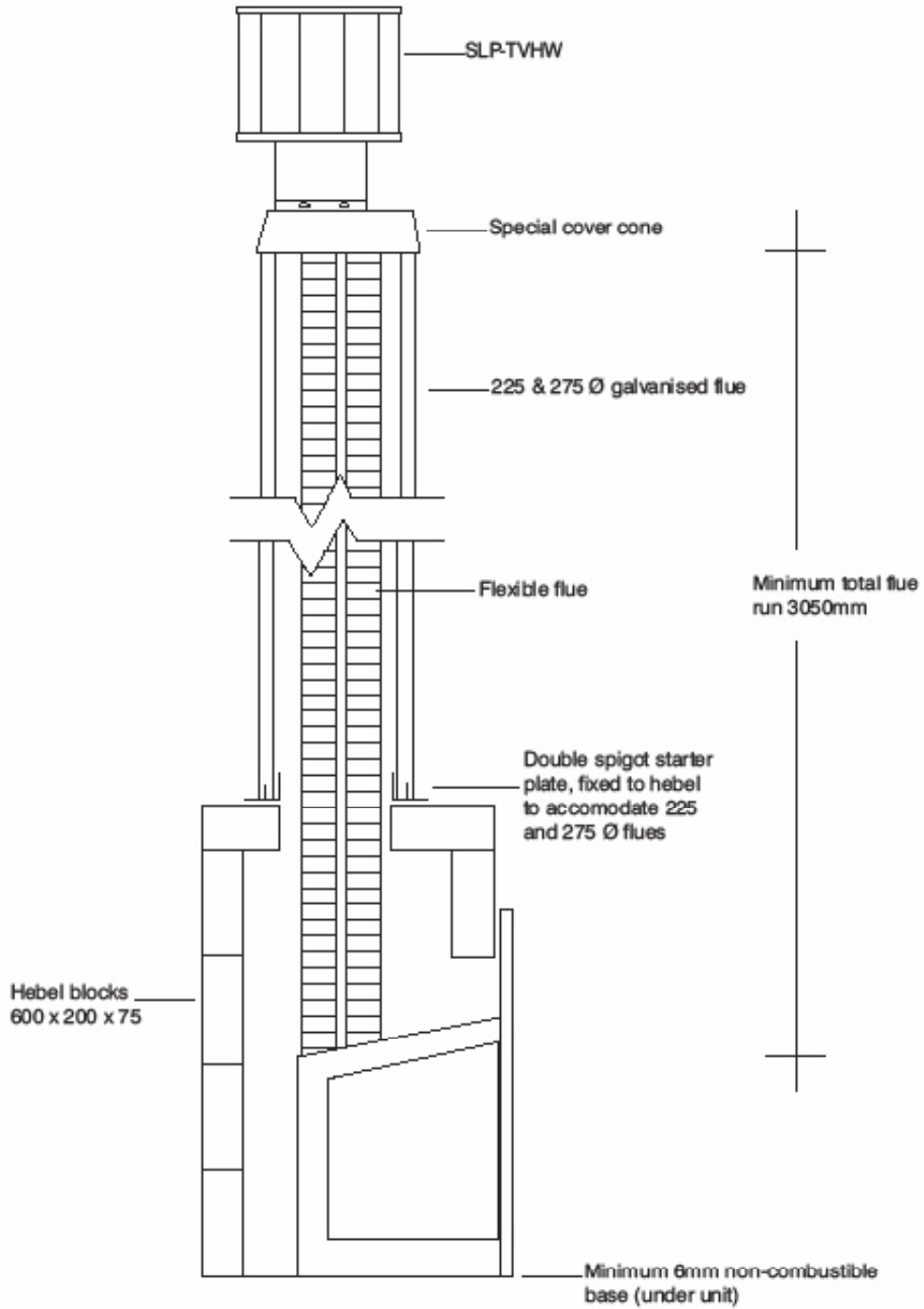
**CUT-OFF BRICK CHIMNEY**



**SECTION**

**AU** Installation Specifications for I30-SUPREME and I30-COSMO (Australian Models)

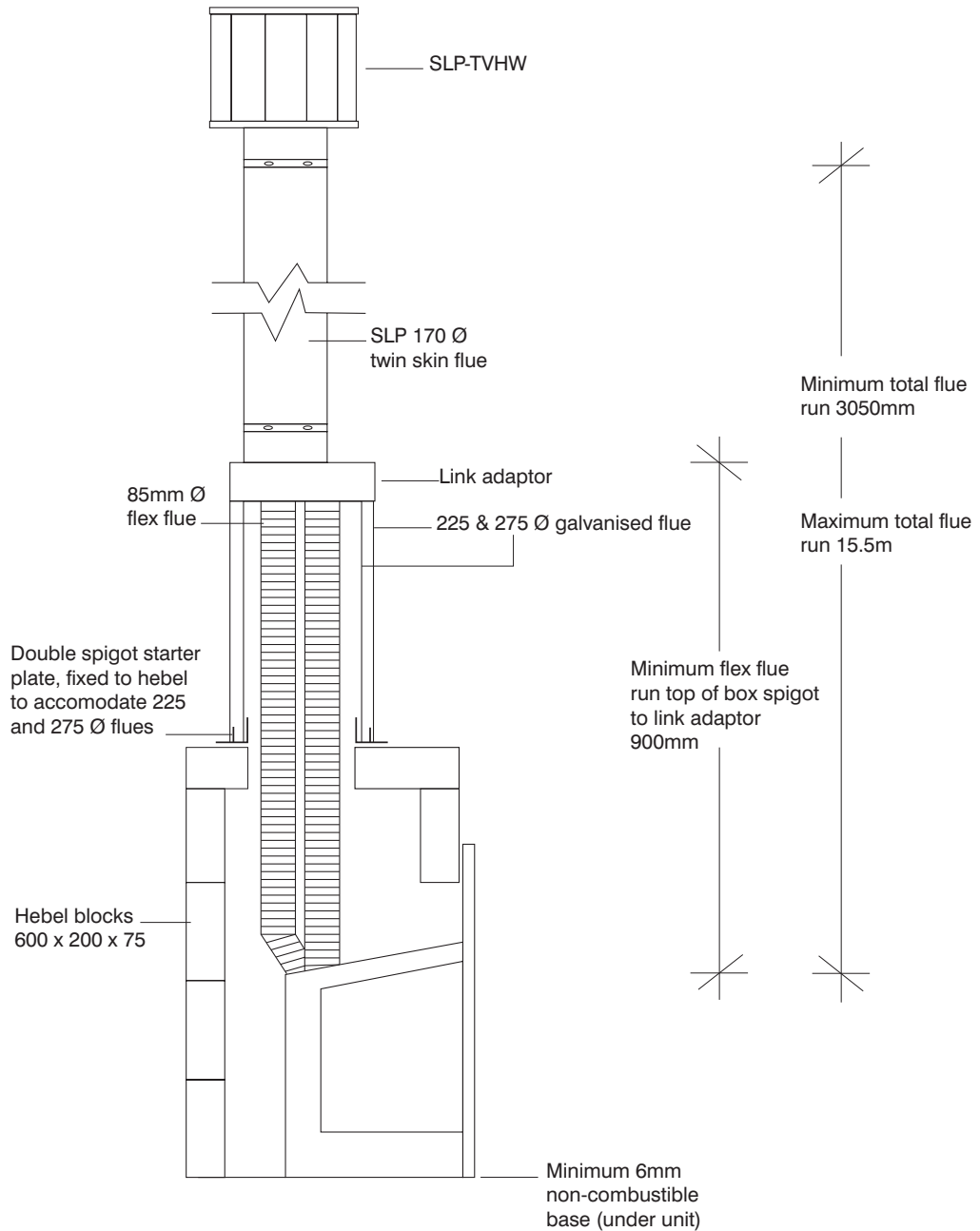
**FLEXIBLE IN GAL TWIN SKIN**



SECTION

**AU** Installation Specifications for I30-SUPREME and I30-COSMO (Australian Models)

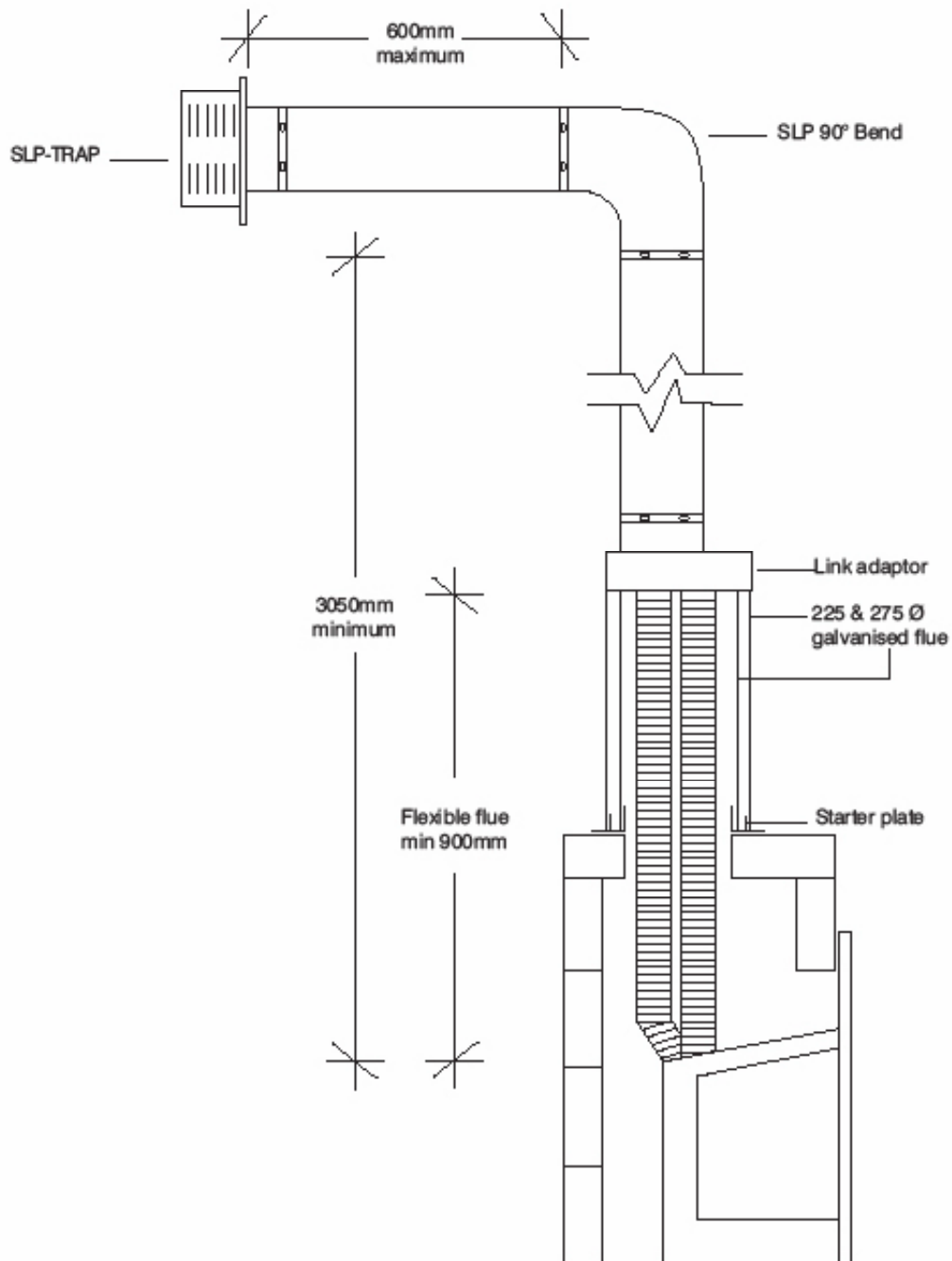
**FLEXIBLE TO SLP FLUE**



SECTION

**AU** Installation Specifications for I30-SUPREME and I30-COSMO (Australian Models)

**HORIZONTAL TERMINATION**



**SECTION**

**AU** Installation Specifications for I30-SUPREME and I30-COSMO (Australian Models)

**FLUE STARTER PLATE**

