



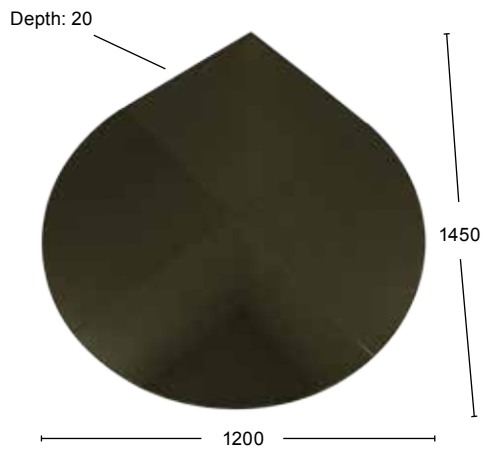
Specifications for Mantels, Hearths, Trims and Fascias



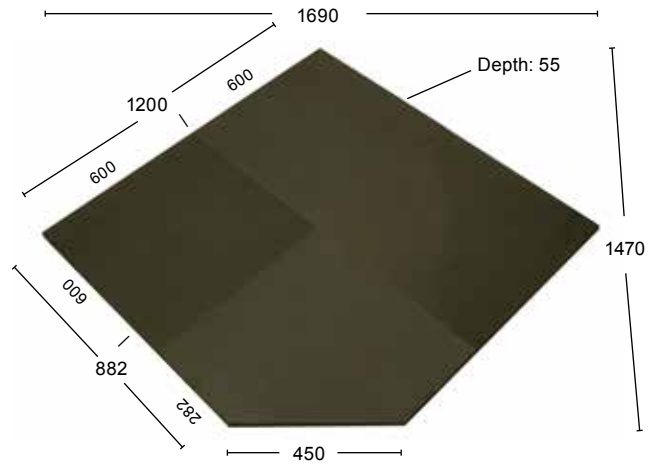
Brilliant Heat. Beautiful to Watch.

*All dimensions in mm

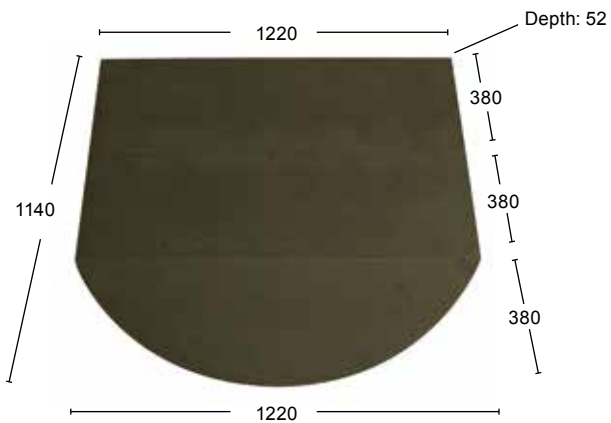
Tear Drop hearth



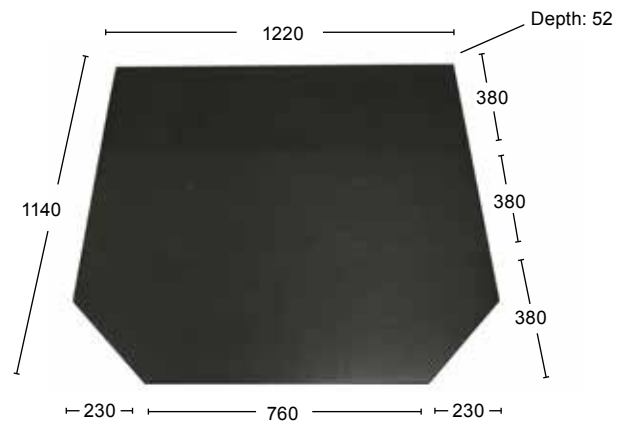
Diamond cut hearth



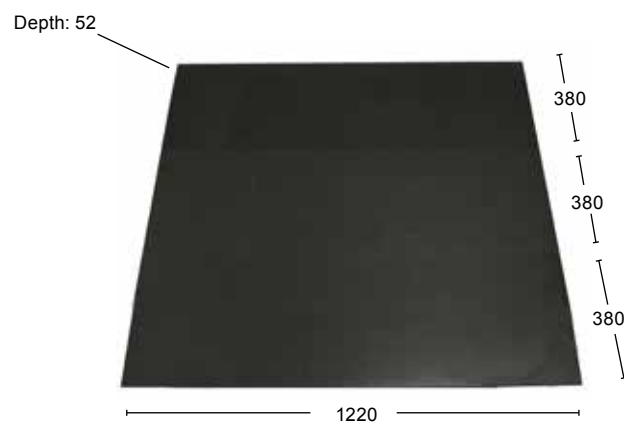
Semi circle hearth



Corner cut hearth



Square hearth



*All measurements in millimetres

Thin Table hearth

Granite



1453mm x 820mm x 300mm

Steel



Small: 1007mm x 875mm x 300mm
Large: 1453mm x 746mm x 300mm

Floating hearth



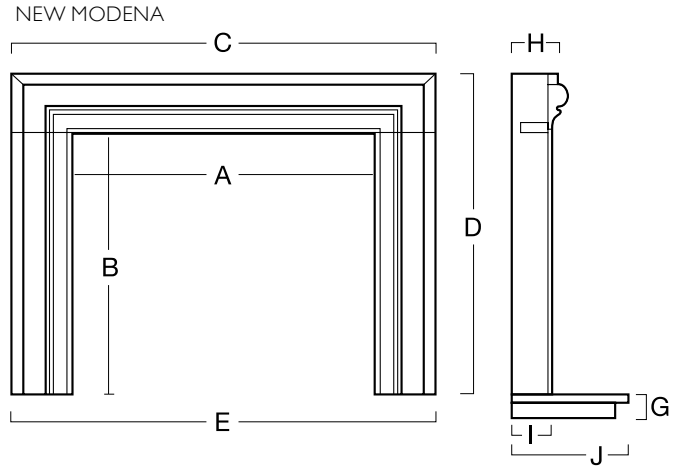
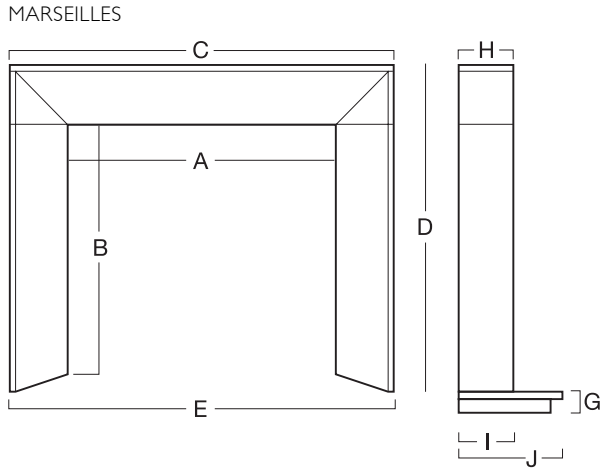
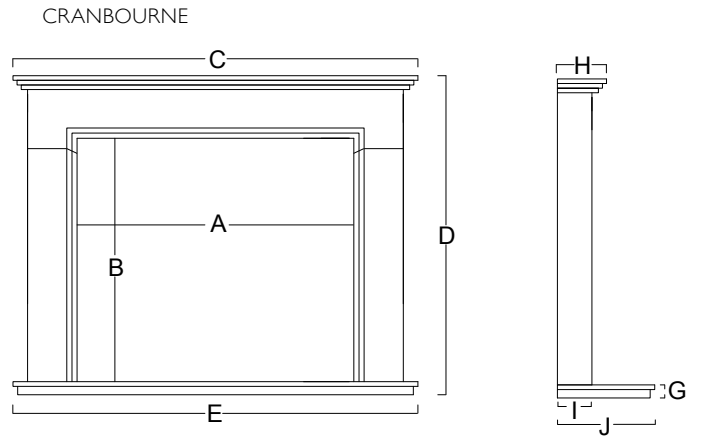
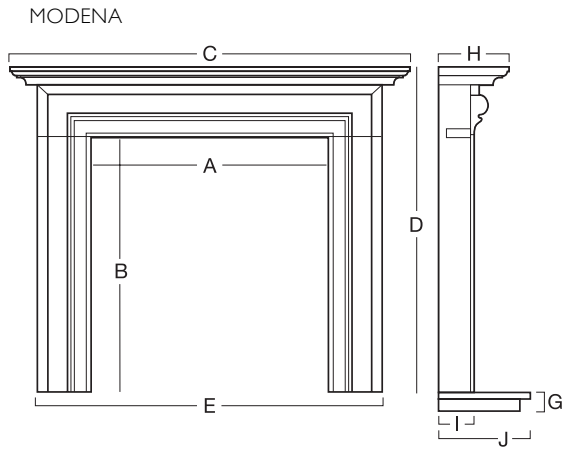
1800mm x 450mm x 150mm

Broad Faced Granite hearth



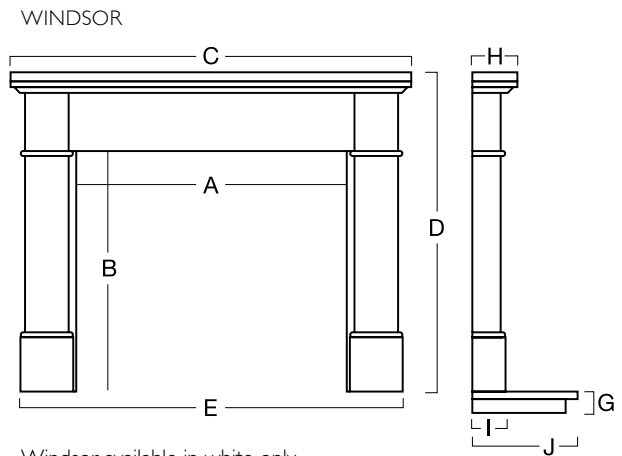
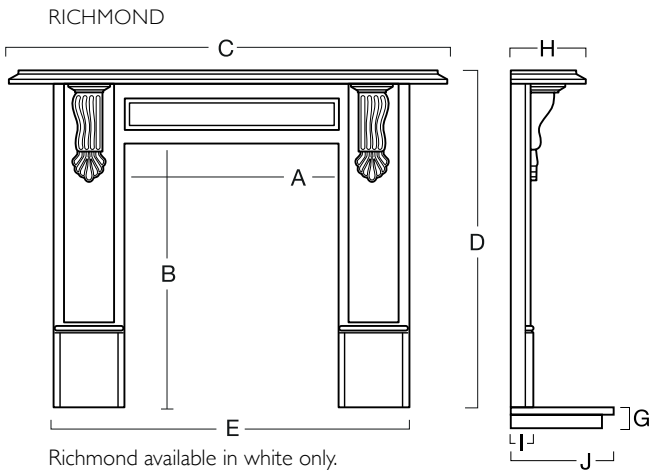
1800mm x 820mm x 400mm

Limestone and Marble Mantelpieces



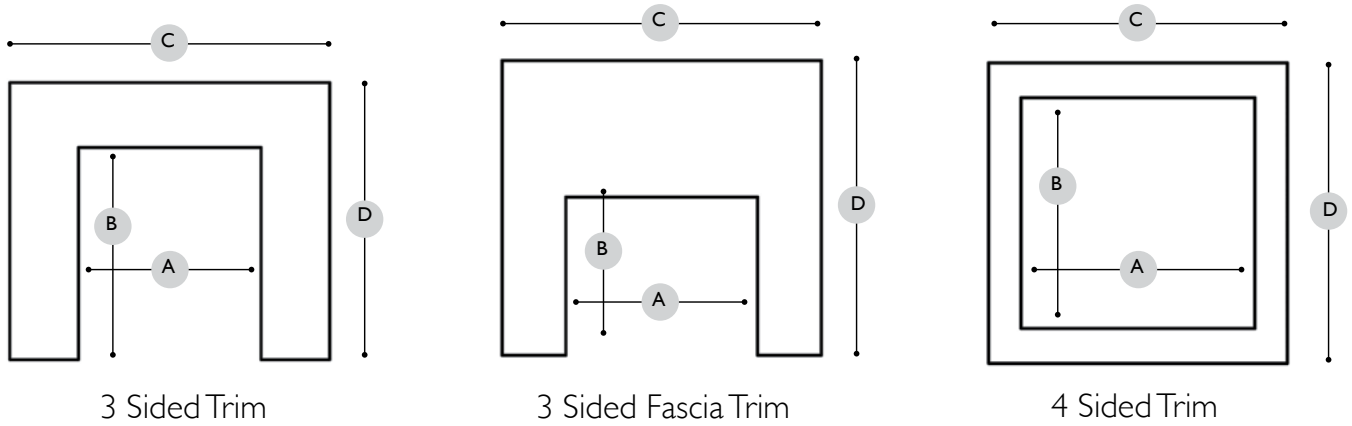
All above Mantels and hearths are available in Pearla Honed and Sahara Honed Marble and Turkish Limestone.

Limestone, Marble & MDF (white only)



MODEL	A	B	C	D	E	F	G	H	I	J
MODENA 55	915	916	1400	1140	1235	1500	55	240	171	380
MODENA 65	1080	950	1630	1189	1438	1600	55	240	171	380
MODENA CLASSIC 550	915	980	1400	1200	1235	1500	55	240	171	380
CRANBOURNE 56	915	910	1415	1159	1301	1500	55	192	135	380
CRANBOURNE 62	1080	950	1580	1194	1466	1600	55	192	135	380
MARSEILLES 52	916	916	1320	1118	1320	1500	55	190	190	380
MARSEILLES 61	1080	950	1535	1178	1534	1600	55	214	214	380
NEW MODENA 55	915	916	1235	1140	1235	1500	55	130	130	380
NEW MODENA 65	900	950	1438	1189	1438	1630	55	140	140	380
NEW MODENA CLASSIC 550	1080	980	1400	1200	1235	1500	55	240	171	380
RICHMOND 56	900	900	1400	1190	1310	1500	55	225	60	380
RICHMOND 63	1080	1080	1600	1272	1510	1600	55	225	60	380
WINDSOR 56	900	900	1420	1175	1320	1500	55	180	135	380
WINDSOR 63	1080	950	1605	1225	1505	1600	55	180	135	380
WINDSOR CLASSIC 550	900	980	1420	1253	1320	1500	55	180	135	380

Flat Trims Stainless & Black



3 SIDED TRIMS - NB: Add 100mm to C and 50mm to D for 150mm 3 sided trims

MODEL	A	B	C	D
UNIVERSAL 500	500	600	700	700
UNIVERSAL 600	600	600	800	700
UNIVERSAL 600 LOW	600	550	800	650
UNIVERSAL 700SH	700	600	900	700
UNIVERSAL 700D	700	650	900	750
UNIVERSAL 850	850	700	1050	800
UNIVERSAL 850 LOW	850	650	1050	750
UNIVERSAL 1050	1050	750	1250	850
UNIVERSAL 1050 LOW LOW	1050	650	1250	750

MODEL	A	B	C	D
HEAT & GLO 350	715	710	915	815
HEAT & GLO 550	790	765	990	865
HEAT & GLO 6000	915	850	1115	950
HEAT & GLO STHVBI	910	830	1220	980
I30 SUPREME - 100mm	775	505	975	605
I30 SUPREME - 50mm	775	505	875	555
I30 COSMO - 100mm	775	505	975	605
I30 COSMO - 50mm	775	505	875	555

All measurements in millimetres.

FASCIA TRIMS

MODEL	A	B	C	D
UNIVERSAL 500	500	600	800	950
UNIVERSAL 600	600	600	960	950
UNIVERSAL 700SH	700	600	960	950
UNIVERSAL 700D	700	650	960	950
UNIVERSAL 850	850	700	1110	960

MODEL	A	B	C	D
HEAT & GLO 350	715	710	950	950
HEAT & GLO 550	790	765	1030	960
HEAT & GLO 6000	915	822	1115	1000
I30 SUPREME	775	505	950	950
I30 COSMO	775	505	950	950

All measurements in millimetres.

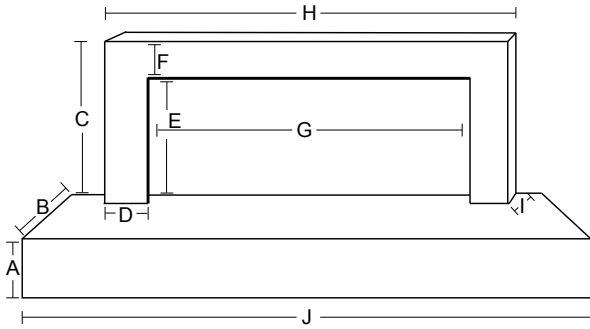
4 SIDED TRIMS - NB: Add 100mm to C and D for 150mm 4 sided trims

MODEL	A	B	C	D
UNIVERSAL 500	500	600	700	800
UNIVERSAL 600	600	600	800	800
UNIVERSAL 600LOW	600	550	800	750
UNIVERSAL 700SH	700	600	900	800
UNIVERSAL 700SH LOW	700	550	900	750
UNIVERSAL 700D	700	650	900	850
UNIVERSAL 850	850	700	1050	900
UNIVERSAL 850 LOW	850	650	1050	850
UNIVERSAL 1050	1050	750	1250	950

MODEL	A	B	C	D
UNIVERSAL 1050 LOW LOW	1050	650	1250	850
HEAT & GLO 350	715	690	915	890
HEAT & GLO 550	790	745	990	965
HEAT & GLO 6000	915	820	1115	1020
HEAT & GLO STHVBI	910	800	1220	1110
I30 SUPREME - 100mm	775	505	975	705
I30 COSMO - 100mm	775	505	975	705
XLR PLUS	990	335	1130	500

All measurements in millimetres.

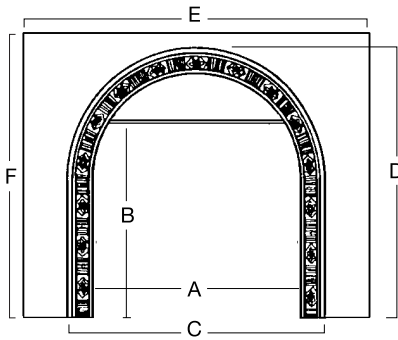
Linear Mantelpieces



SIZE	A	B	C	D	E	F	G	H	I	J
1100	300	250	680	150	530	150	1180	1480	110	1980
1600	295	250	585	150	435	150	1640	1940	110	2250

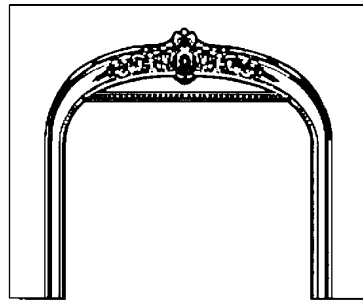
Fascias / Cast Iron Nickel

PLAIN ARCH

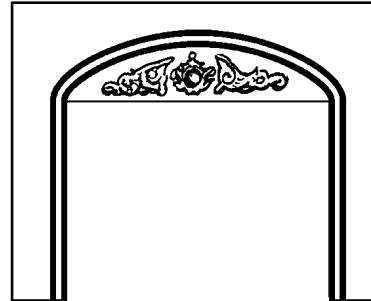


C = Outside width of pattern
D = Outside height of pattern

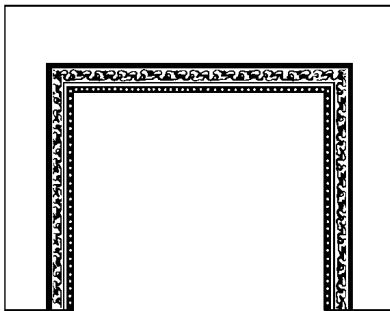
VICTORIAN



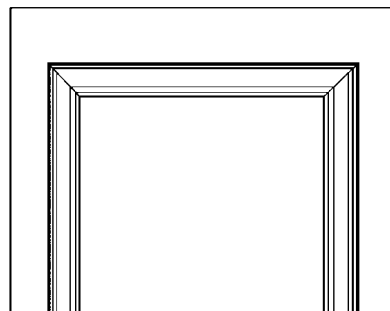
CLASSIC



PATTERN SQUARE



PLAIN SQUARE



MODEL	A	B	C	D	E	F
600 PLAIN ARCH	645	645	780	850	970	950
700 PLAIN ARCH	745	650	890	890	990	950
700 VICTORIAN	740	665	885	890	1000	960
850 VICTORIAN	890	700	1030	940	1140	1010
700 PLAIN SQUARE	700	650	850	730	975	945
700 PATTERN SQUARE	700	660	845	735	985	955
850 PATTERN SQUARE	855	710	995	775	1110	960

All measurements in millimetres.

MODEL	A	B	C	D	E	F
550 PATTERN SQUARE	800	770	945	845	1160	1025
6000 PATTERN SQUARE	920	860	1070	940	1175	1015
700 CLASSIC	700	650	770	875	970	985
850 CLASSIC	840	755	910	955	1115	1000
550 CLASSIC	800	745	870	980	1150	1005
SHIRE NEWTON 4 SIDED	714	690	N/A	N/A	950	950