



-----FIREPLACES-----



**INSTALLATION INSTRUCTIONS
PHOENIX HORIZON THREE SIDED
POWER FLUE 400**

Power Flue approved for the following models:

SUITABLE GAS BURNER OPTION

THREE SIDED MODELS

1100 Low Line	1000 Type 1 Phoenix Burner
1500 Low Line	1400 Type 1 Phoenix Burner
2000 Low Line	1800 Type 1 Phoenix Burner

Model Type 1: Power Flue Decorative Gas Fireplace

DATA PLATE: Refer to information on page 16 of this Instruction booklet in respect to gas pressure, consumption and gas type, Natural, ULPG or LPG.

Data Plate is located under the gas burner and is accessed by lifting front access panel or removing base plate.

Location Requirements

Power flue systems utilizes a fan assisted draft to ensure products of combustion are exited through a flue terminal either horizontally or vertically terminated.

The following Australian location requirements for flues are to be observed when installing a powered flue system.

SEE NEXT PAGE FOR LOCATION EQUIREMENTS

Ventilation Requirements:

Rooms with gas open fireplaces require as per clause 6.10.9.5 in AS/NZS5601.1:2013, one or more ventilation openings with a combined free ventilation area of not less than the equivalent cross section area of the flue cowl shall be provided for each decorative flame effect fire and calculations based on clause 6.4.4

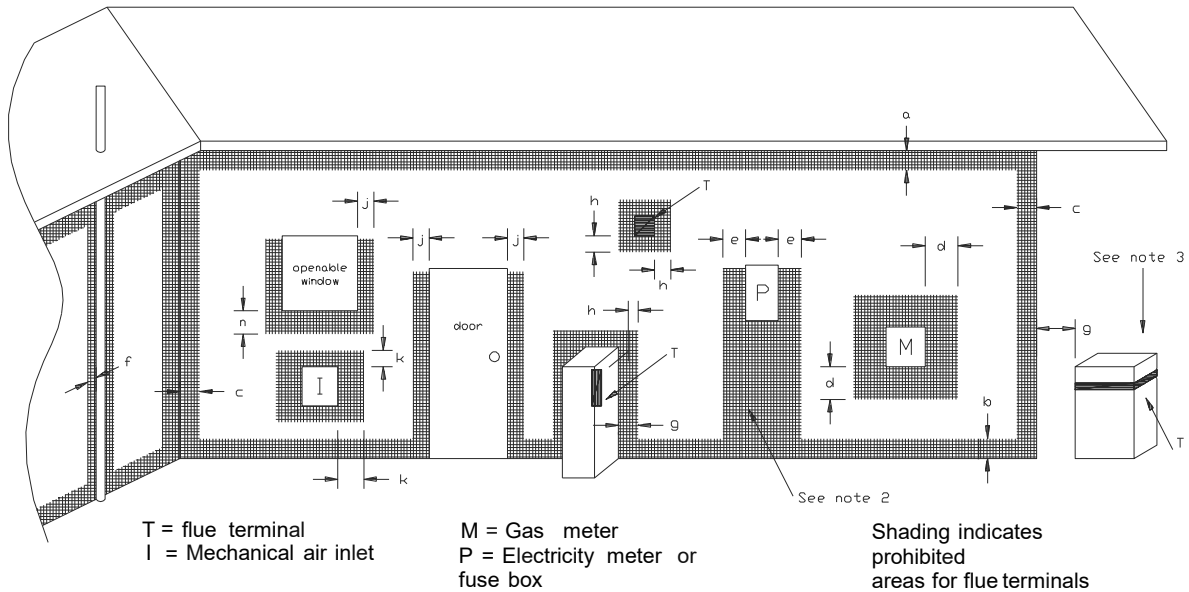
“THIS APPLIANCE REQUIRES FRESH AIR TO OPERATE SAFELY. THE ROOM WHERE THIS APPLIANCE IS INSTALLED MUST HAVE PERMANENT VENTILATION FROM OUTDOORS, IN ACCORDANCE WITH THE VENTILATION REQUIREMENTS OF AS/NZS 5601”

NOTE: The chimney in which the appliance is installed is not to be considered as a ventilation opening.

PLEASE NOTE:

All power flue external joints (inc. flue joints, attenuator, Fan, etc.) must be sealed with approved heat rated (149°C minimum continuous exposure rating) foil tape after joining sections! Internal flues do not need to be sealed with foil tape.

Installation Instructions Kemlan Three Sided Power Flue Horizon Gas Fireplaces



- | | | |
|---|----------------------------------------------------------------------------------------------------------------------------------------------------------|--------------------------------------|
| a | Below eaves, balconies or other projections:
Appliances up to 50 MJ/h input
Appliances over 50 MJ/h input | MIN. CLEARANCE
(mm)
300
500 |
| b | From the ground or above a balcony | 500 |
| c | From a return wall or external corner | 300 |
| d | From a gas meter (M) | 500 |
| e | From an electricity meter or fuse box (P) | 1000 |
| f | From a drain or soil pipe | 500 |
| g | Horizontally from any building structure (unless appliance approved for closer installation) or obstruction facing a terminal | 150
500 |
| h | From any other flue terminal, cowl, or combustion air intake | 500 |
| j | Horizontally from an openable window, door, non-mechanical air inlet, or any other opening into a building, with the exception of sub-floor ventilation: | 500
150
150 |
| | Appliances up to 150 MJ/h input | |
| | Appliances over 150 MJ/h input | |
| k | From a mechanical air inlet, including a spa blower | |
| n | Vertically below an openable window, non-mechanical air inlet or any other opening into a building, with the exception of sub-floor ventilation | See table below |

CLEARANCES 'n' (mm)			
Space heaters	All other appliances		
Up to 50 MJ/h Input	UP to 50 MJ/h input	Over 50 MJ/h & up to 150 MJ/h	Over 150 MJ/h input
150	500	1000	1500

- NOTES:
1. All distances are measured vertically or horizontally along the wall to a point in line with the nearest part of the terminal.
 2. Prohibited area below electricity meter or fuse box extends to ground level.
 3. See clause 5.13.6.6 for restrictions on a flue terminal under a roofed area.
 4. See Appendix J, Figure J1 (a) and J2(a) for clearances required from a flue terminal to a LP Gas cylinder. A flue terminal is considered to be a source of ignition.

MINIMUM CLEARANCES REQUIRED FOR BALANCED FLUE TERMINALS
OR THE FLUE TERMINALS OF OUTDOOR APPLIANCES

Before Installation

The Power flue Oxygen Depletion Ignition (P.F.O.D.I.) flue system shall be installed by authorized personnel in accordance with the manufacturer's installation instructions, local gas fitting regulations, municipal building codes, electrical wiring regulations, and any other statutory regulations. Contact your local building authorities about restrictions and installation inspections that may be required. If in doubt, contact your local dealer or Kemlan's Head office.

IMPORTANT AUSTRALIAN CODES:

- Australian Standards AS 5601 Gas Installation
- Australian Standards AS 3000 Electrical

Important Safety Notes

- Comply with all instructions in manual including clearances to combustible material.
- Do not operate without fully assembling all components.
- All open gas fires require ventilation in the room.
- Do not connect to any other air distribution duct or system.
- An Australian approved cowl is required at flue terminal. Cowls are made from ss304 2b materials
- Refer to the table below for flue diameter and flue cowl size.
- Air movement of systems- A decorative gas log fire must not be installed where the operation of any ventilation system, fan or air blower could in any circumstances cause the air pressure to be less than atmospheric at the appliance.
- Do not block or restrict chimney.
- After installing appliance check that the flue draws well with smoke pellet.
- Kemlan recommends that all gas fires be serviced every year.
- All gas units must be fitted by a licensed gas fitter.
- It is the responsibility of the gas fitter to follow the regulations set out in the Gas Code that dictate the procedures to follow when installing a gas appliance, particularly regarding gas pipe sizing and checking of pressures.
- All Horizon gas appliances range are recommended to use Kemlan manufactured double flue system. Sizes depend on the appliance/s purchased. The active flue is manufactured using .55mm ss304 2B and the outer flues are manufactured using .55mm galvanised steel.

Installation

- 1 The P.F.O.D.I. system is supplied with all required electrical fittings. Work needs to be undertaken by a licensed electrician if extending wiring. Wiring requires clearance of minimum 100mm to flues and fireplace body due to heat. See Wiring diagram page 15. The wiring must be positively secured away from the heat source.
- 2 An isolation switch needs to be provided if connecting within the fireplace framework.
- 3 Discard all packaging and transport materials.
- 4 Build a frame to the specifications provided. Note: 80mm clearance above the fireplace and 5mm to the front surface of firebox.
- 5 Unit located on 9mm fiber cement sheeting.
- 6 Unit and flues to be installed prior to plastering.
- 7 Gas line run to the desired position prior to plastering.
- 8 A minimum height of 150mm from floor needs to be available for use.
- 9 Clearance of 25mm to the vertical flue.
- 10 Allow for a minimum flue height of 4m.
- 11 All flue components are to be riveted together.
- 12 Rooms with Gas Open Fires require fresh air vents of 400sq centimetres for each Decorative Gas, Coal Fire.
- 13 When using Type 1 appliances into existing masonry chimneys, the minimum required height is 400mm x 400mm depth. The width should accommodate the burner with an additional 50mm clearance on each side. The maximum height is 400mm above the burner tray. Ensure that the chimney is drawing correctly and there is no spillage. It is also recommended that a secondary guard is installed into the masonry chimney in accordance with AS/NZS 2286.

WARNING:

Do not use an unlined masonry chimney as the flue for this appliance

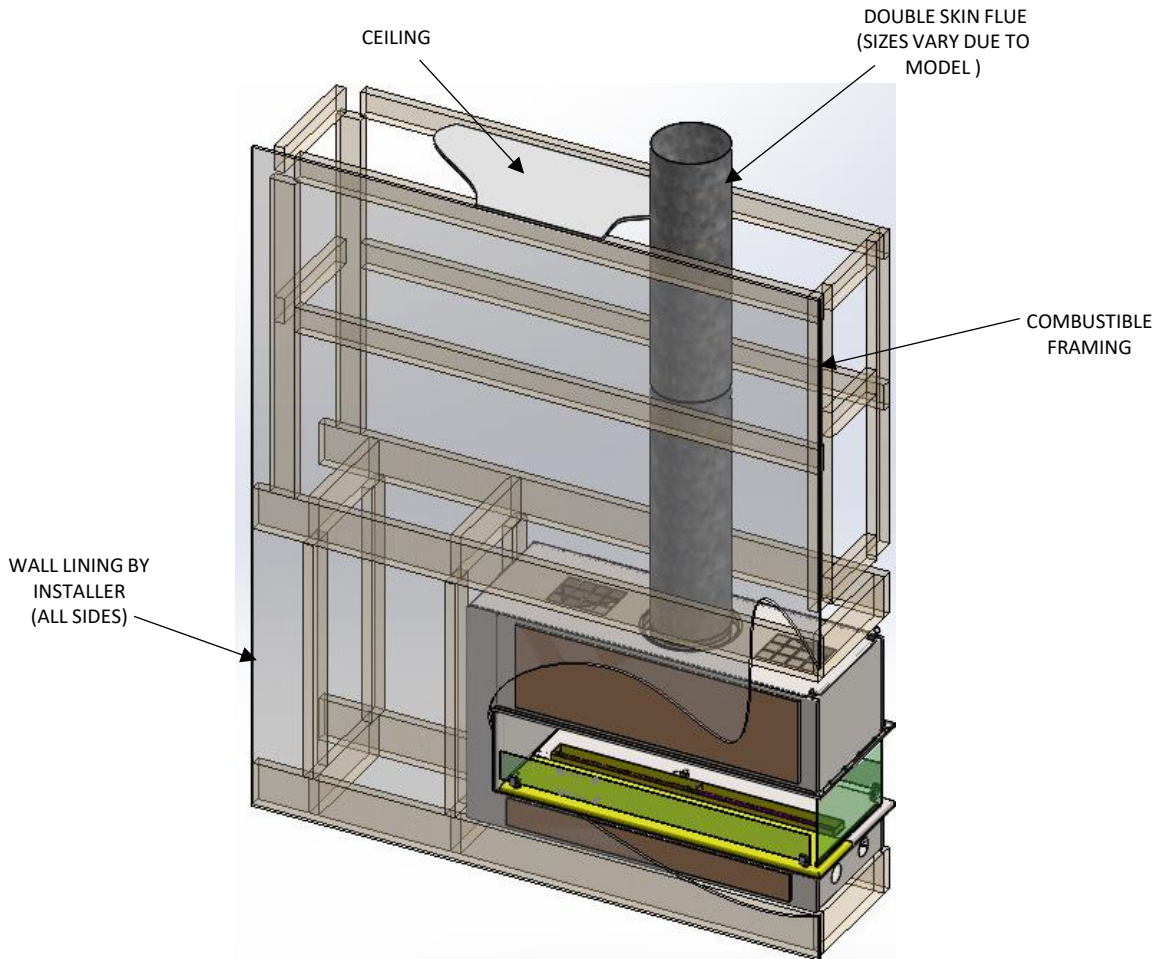
WARNING: ALTERATIONS TO THE ELECTRICAL SWITCH OR COMPONENTS MUST BE CARRIED OUT BY A LICENCED ELECTRICIAN AND BE DONE IN ACCORDANCE WITH AS3000.

Ventilation Requirements:

Rooms with gas open fireplaces require as per clause 6.10.9.5 in AS/NZS5601.1:2013, one or more ventilation openings with a combined free ventilation area of not less than the equivalent cross section area of the flue cowl shall be provided for each decorative flame effect fire, and calculations based on clause 6.4.4

“THIS APPLIANCE REQUIRES FRESH AIR TO OPERATE SAFELY. THE ROOM WHERE THIS APPLIANCE IS INSTALLED MUST HAVE PERMANENT VENTILATION FROM OUTDOORS, IN ACCORDANCE WITH THE VENTILATION REQUIREMENTS OF AS/NZS 5601”

ASSEMBLY REQUIREMENTS : THREE SIDED MODEL SHOWN



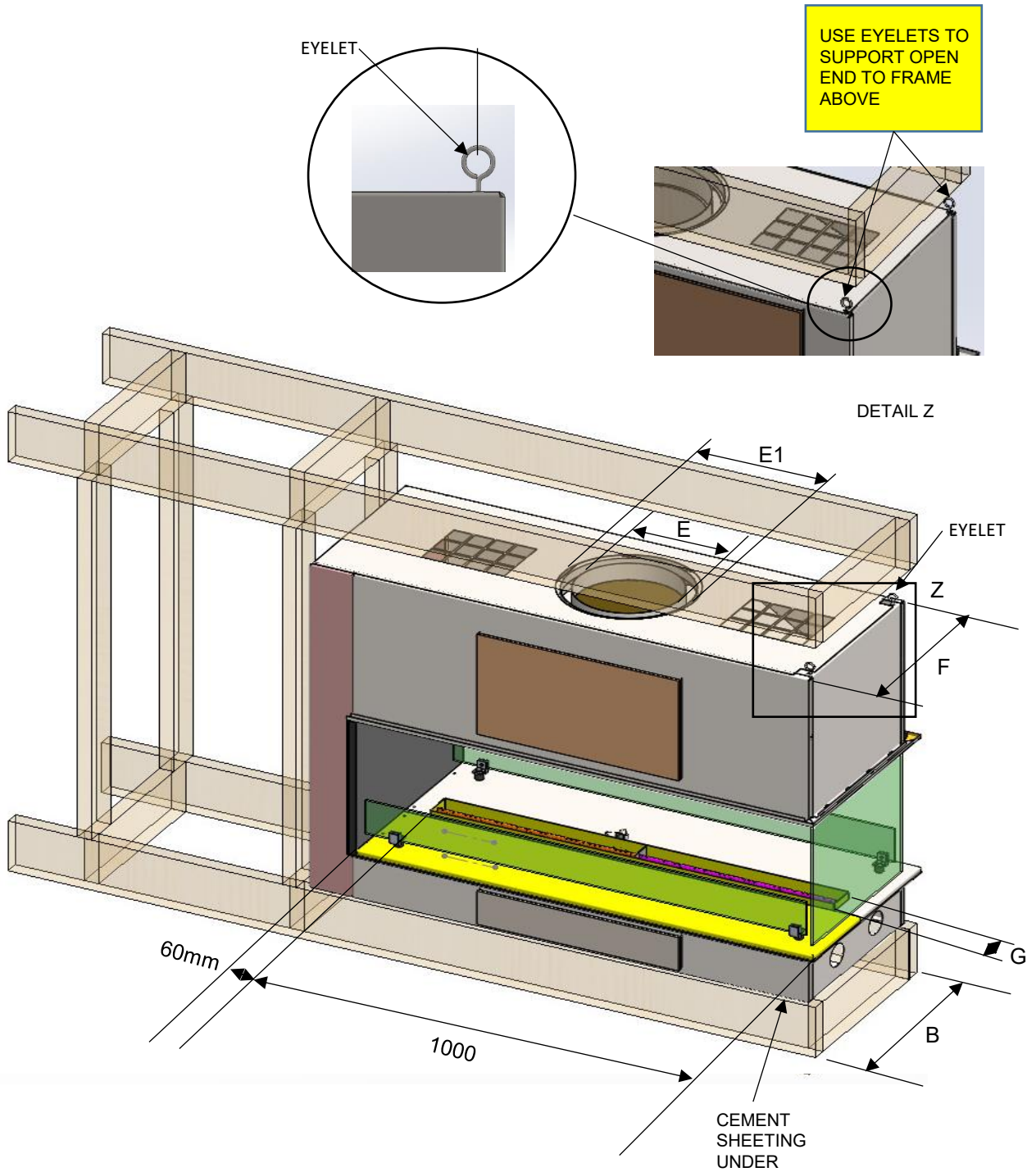
Ventilation Requirements:

Rooms with gas open fireplaces require fresh air vents according to clause 6.4.4 in AS/NZS5601. Ventilation size can be altered depending on the appliances M_j usage Vs the total room size the appliance is situated m^3 , this will be determined by a licensed gas fitter.

NOTE: The chimney in which the appliance is installed is not to be considered as a ventilation opening.

Installation Instructions Kemlan Three Sided Power Flue Horizon Gas Fireplaces

HORIZON THREE SIDED :

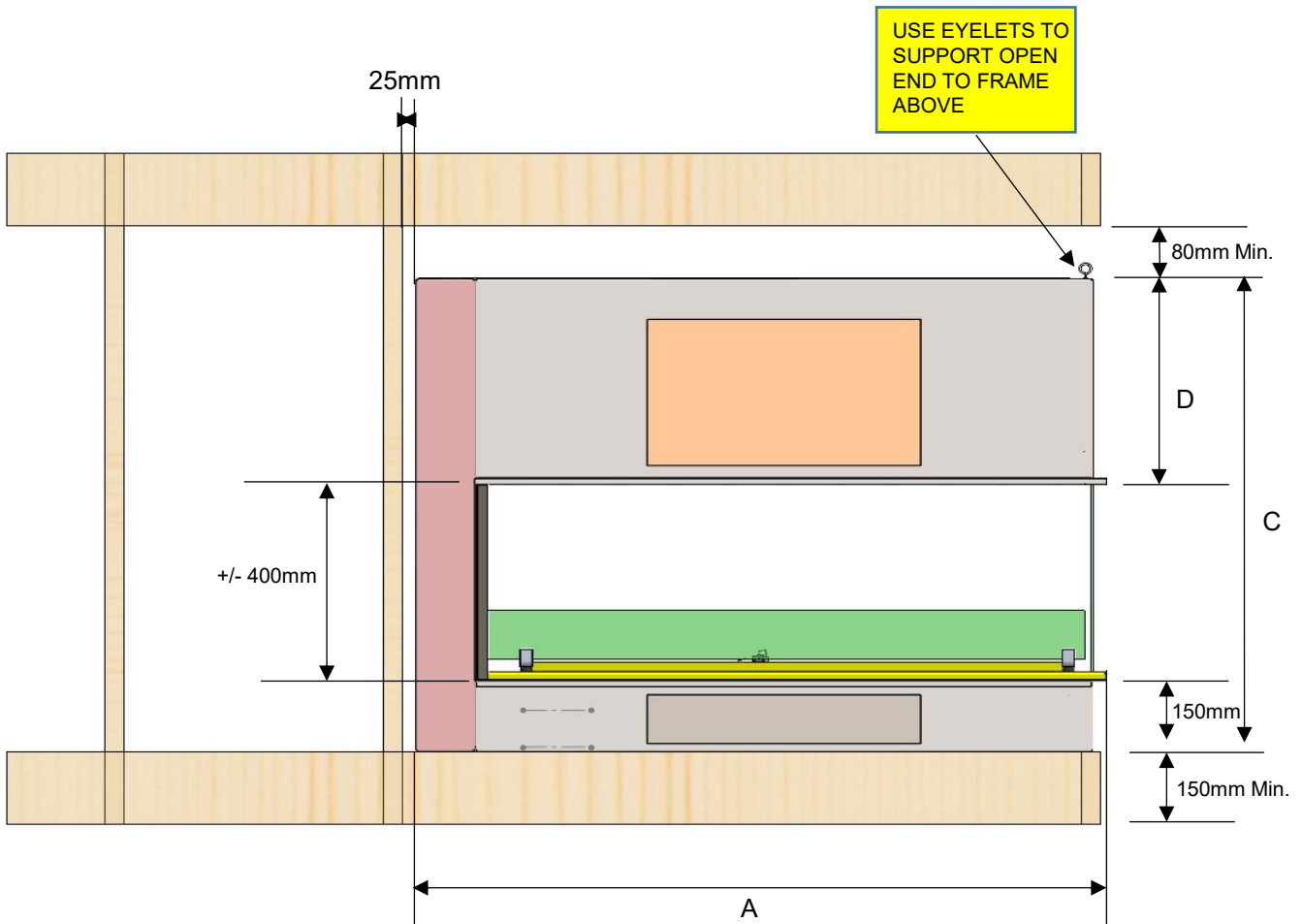
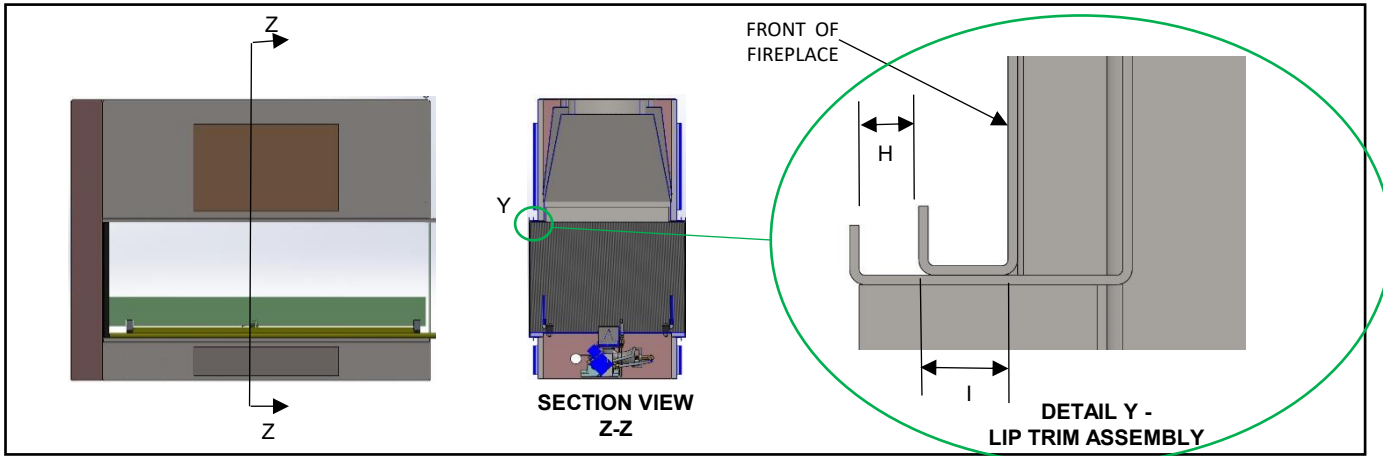


THREE SIDED PHOENIX	A	B*	C	D	E	E1	F	G	H	I
1100 LOW LINE	1264	480*	972	423	10"	12"	450	69	27	12
1500 LOW LINE	1685	490*	1117	568	12"	14"	435	69	27	12
2000 LOW LINE	2174	490*	1306	757	12"	14"	435	69	27	12

* NOT INCLUDING 10MM FIBRE CEMENT SHEETING

Installation Instructions Kemlan Three Sided Power Flue Horizon Gas Fireplaces

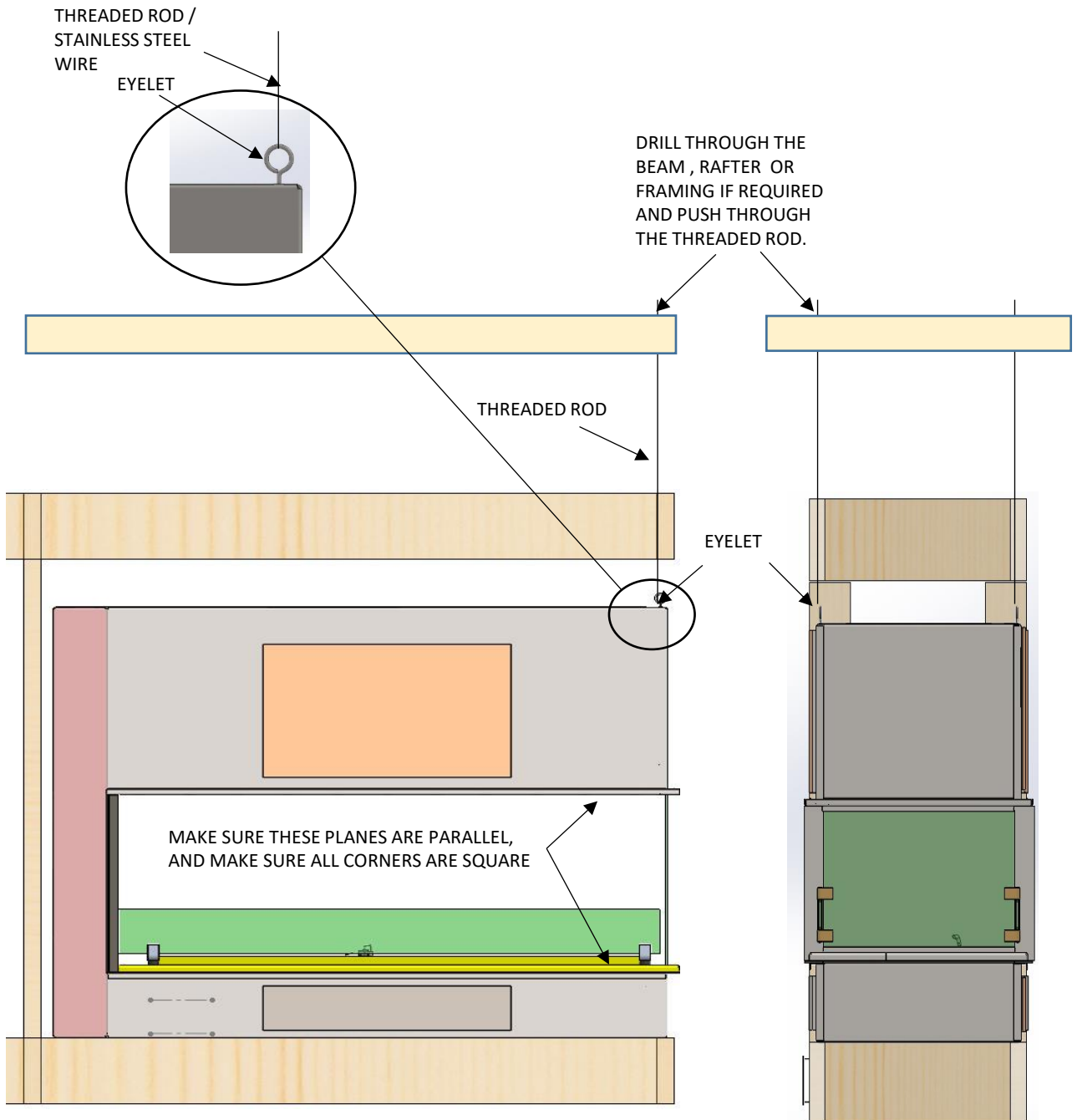
Measurement and Specification



THREE SIDED PHOENIX	A	B*	C	D	E	E1	F	G	H	I
1100 LOW LINE	1264	480*	972	423	10"	12"	450	69	27	12
1500 LOW LINE	1685	490*	1117	568	12"	14"	435	69	27	12
2000 LOW LINE	2174	490*	1306	757	12"	14"	435	69	27	12

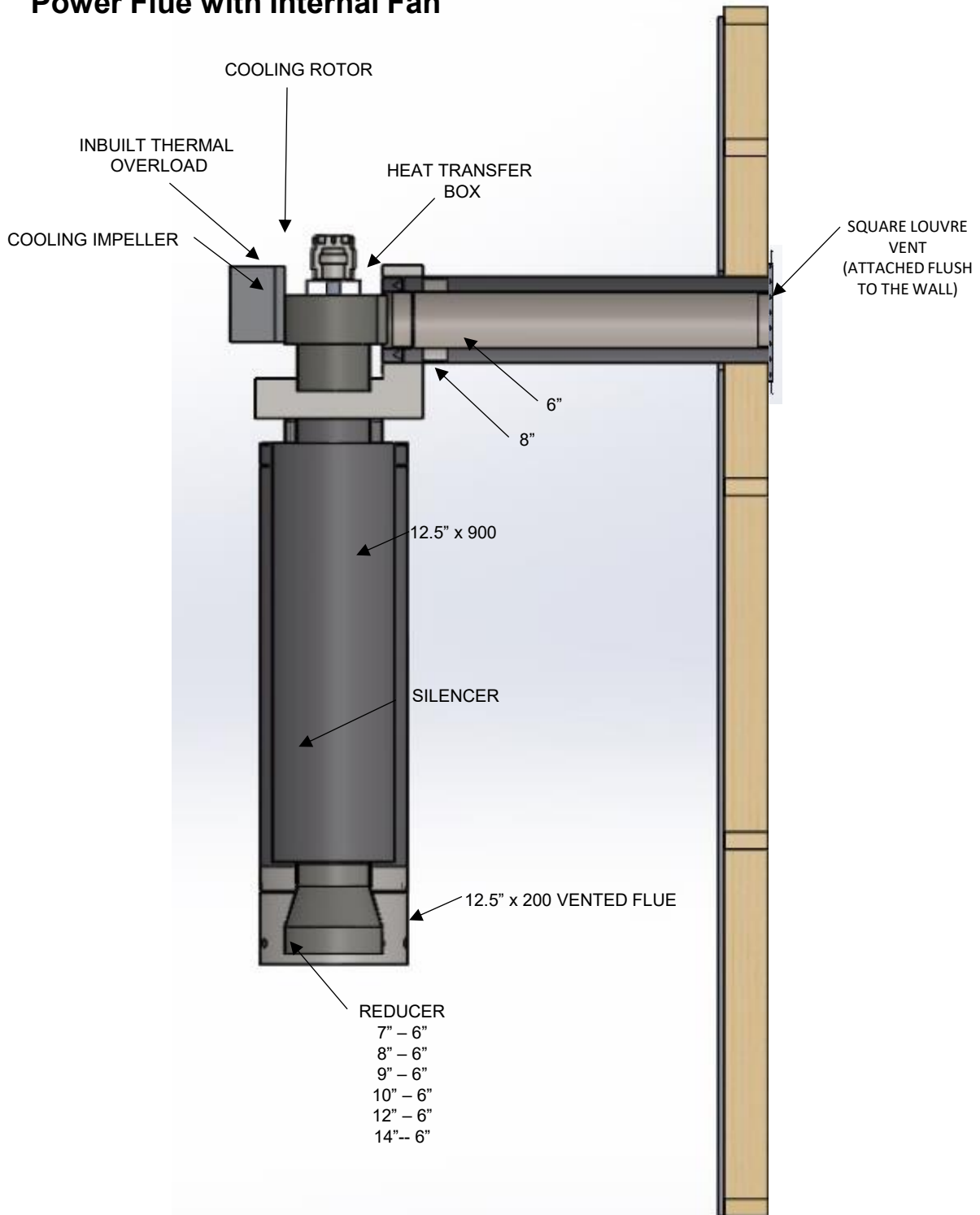
* LIP TRIM TO LIP TRIM - NOT INCLUDING 10MM FIBRE CEMENT SHEETING

Installation Instructions Kemlan Three Sided Power Flue Horizon Gas Fireplaces



- Eyelets on the unit are supplied for attaching a turn buckle system, 6-8mm threaded rod is required with a nut and washer either side of a sufficient supporting roof member. Alternatively, a stainless steel wire with a minimum 1mm diameter or heavier and a minimum break load of 130kg can also be used.
- Once hooks have been attached to the eyelets the turn buckle can then be simply wound up to take the tension.
- Tighten the turn buckle until both the top and bottom glass runners are parallel.
- Removable glass panel can now be placed in position allowing an even gap between glass and underside of channel.

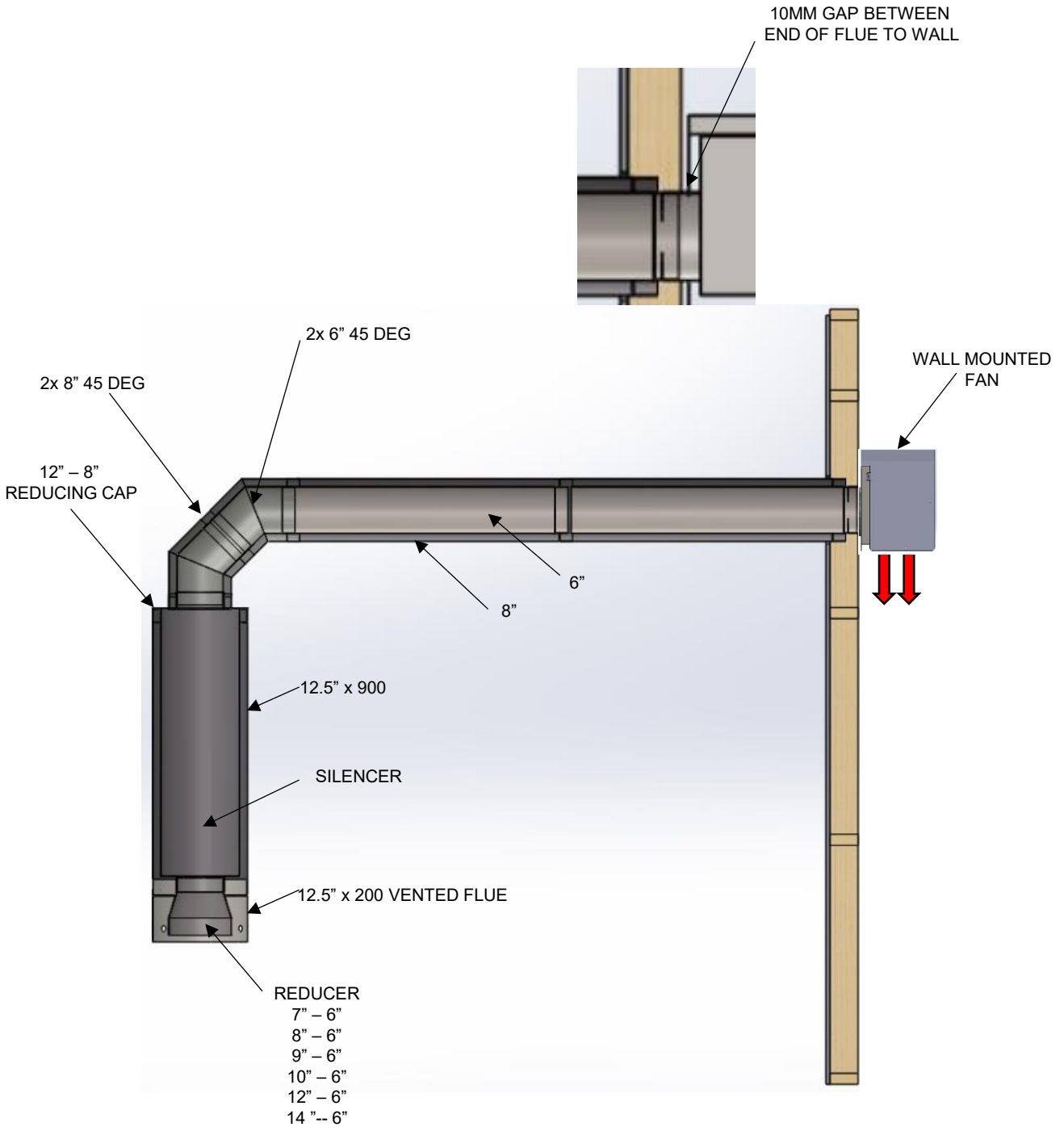
Power Flue with Internal Fan



Note:

Power flue Horizontal runs greater than 5 meters in length may be compromised by fluctuations in power. Flue runs greater than 5 meters when tested with underload power of 15% caused the fan to cut out and burner to turn off and require resetting. Resetting can be done by turning power off and on. Should power be consistent in supply then longer flue runs can be recommended and burner will perform correctly.

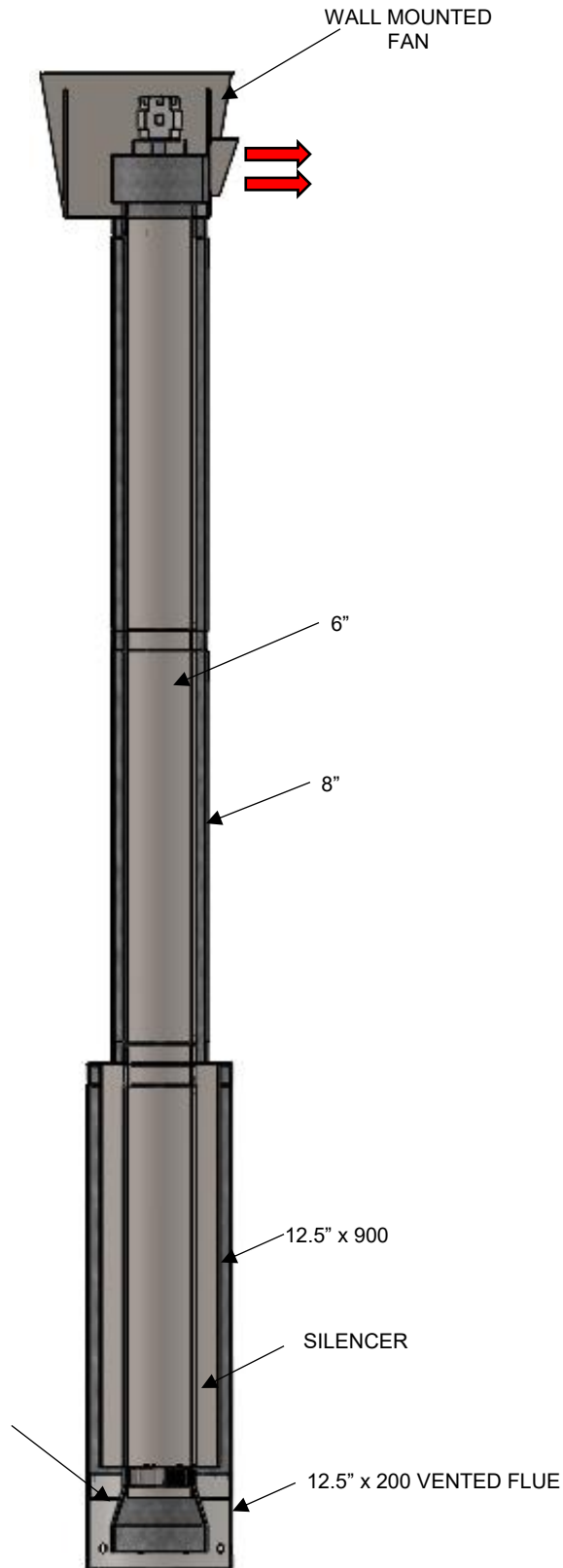
Power Flue with External Fan



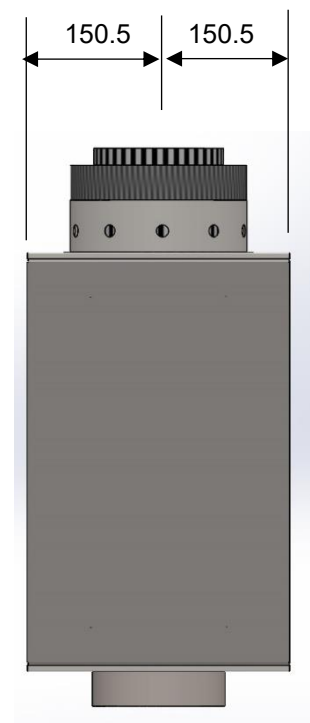
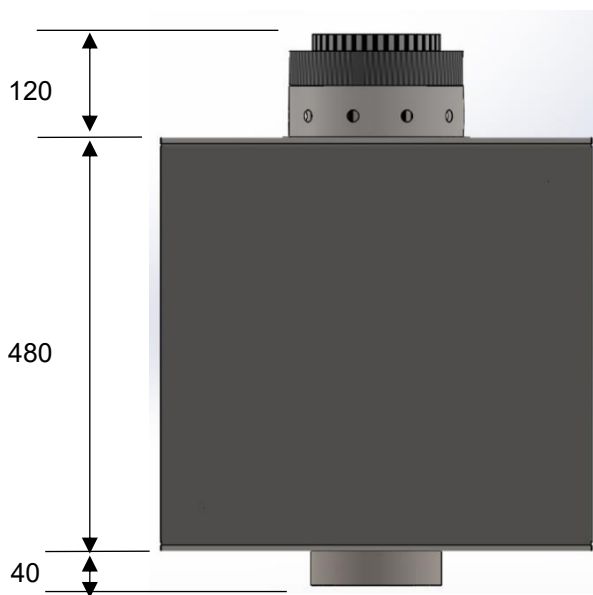
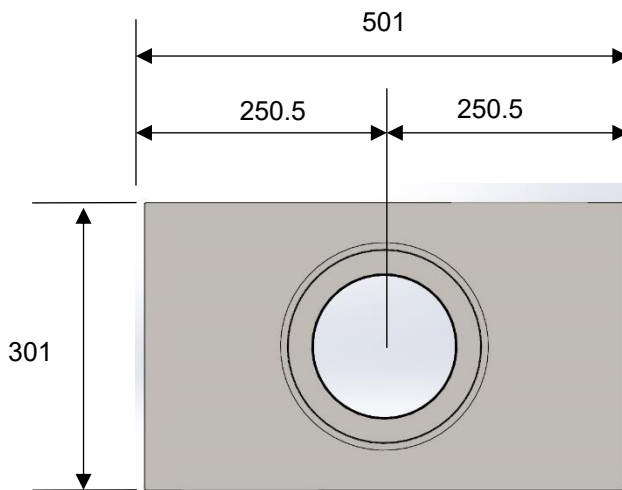
Note:

Power flue Horizontal runs greater than 5 meters in length may be compromised by fluctuations in power. Flue runs greater than 5 meters when tested with underload power of 15% caused the fan to cut out and burner to turn off and require resetting. Resetting can be done by turning power off and on. Should power be consistent in supply then longer flue runs can be recommended and burner will perform correctly.

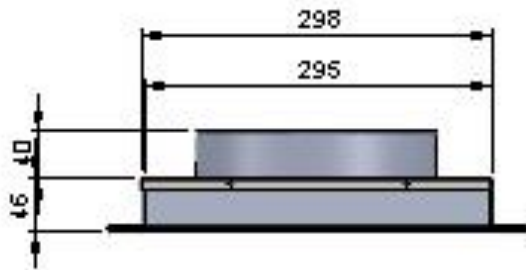
Power Flue with External Vertical Fan



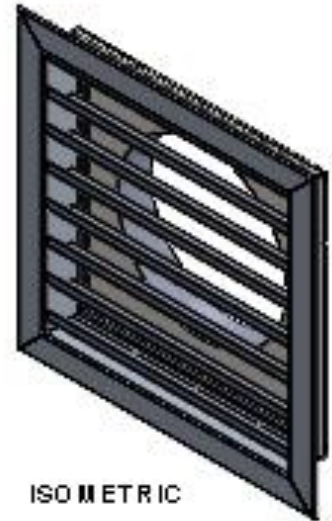
Square Attenuator dimensions



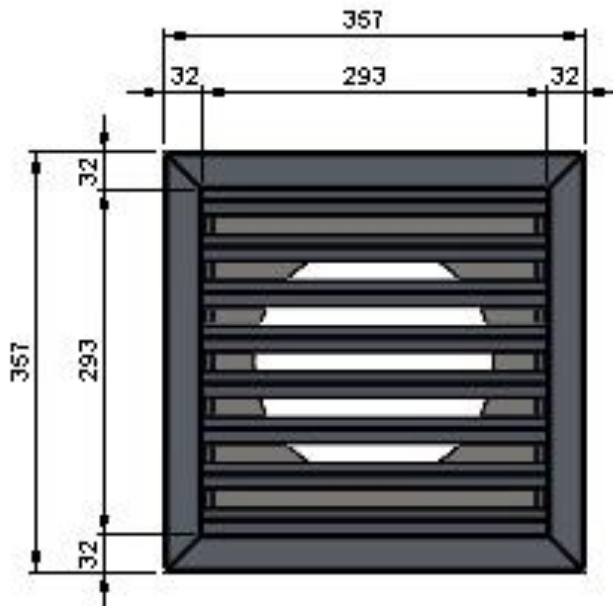
Square Power flue vent assembly dimensions:



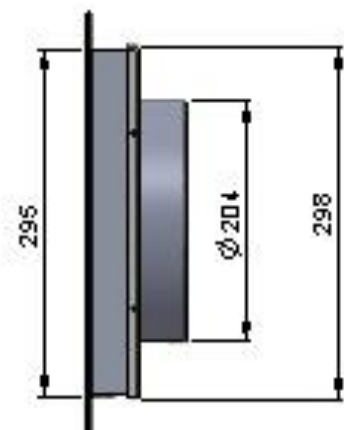
TOP VIEW



ISOMETRIC



FRONT VIEW

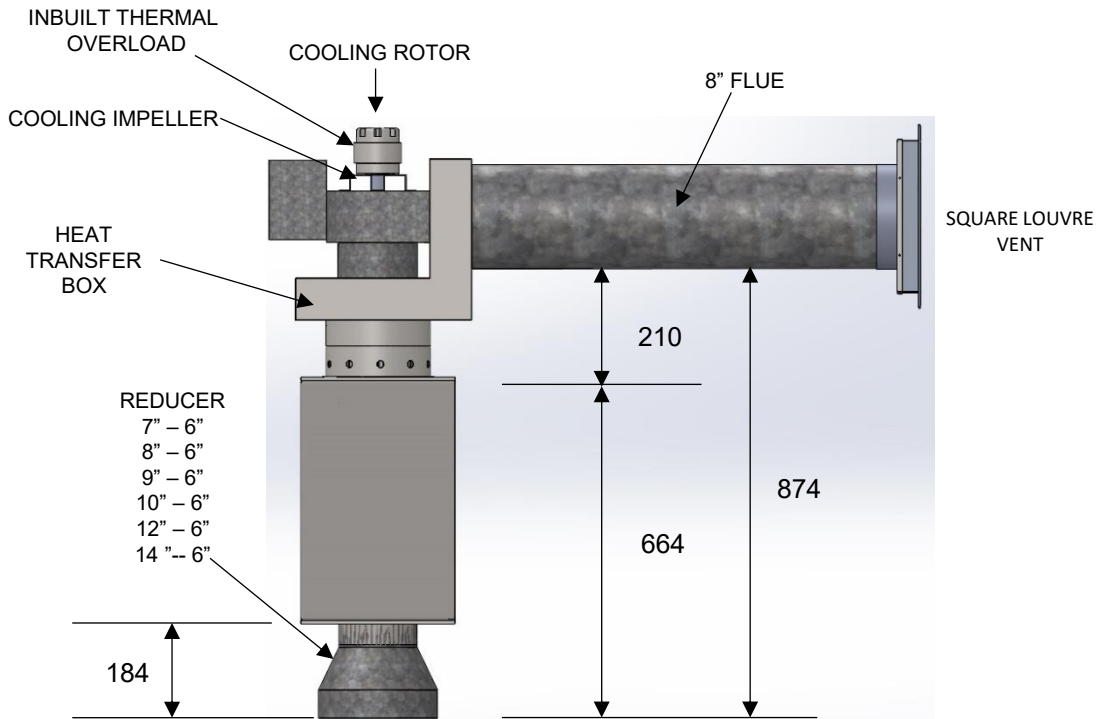


SIDE VIEW

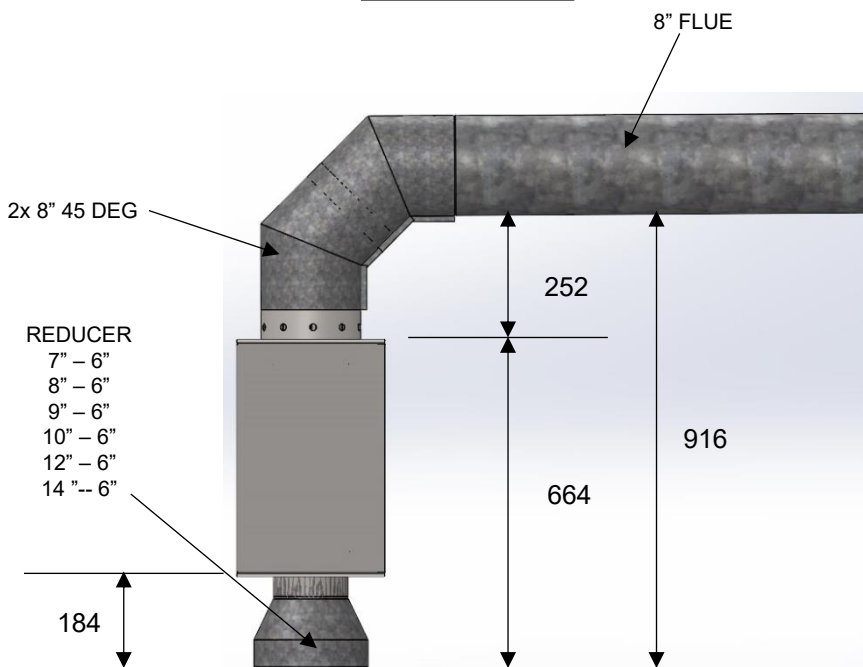
NOTE : A SQUARE CUT OF 300MM X 300MM MIN. MUST BE CUT FROM EXTERNAL WALL CAVITY TO INSTALL THIS VENT FLUSH.

Square Attenuator assembly dimensions:

Internal fan

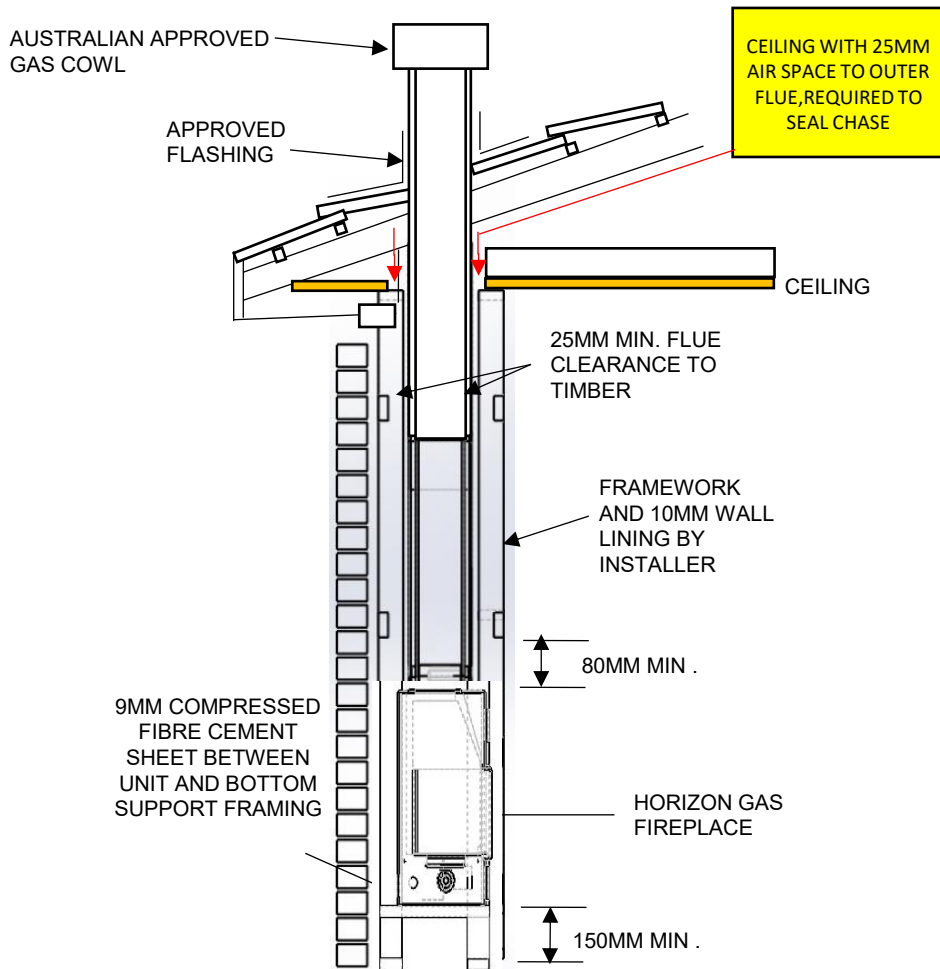


External fan



Installation Instructions Kemlan Three Sided Power Flue Horizon Gas Fireplaces

SECTIONS



Installation Instructions Kemlan Three Sided Power Flue Horizon Gas Fireplaces

SERIAL NO. XXXX

KEMLAN INDUSTRIES

13 FRENCH AVENUE

IAPMO NO. GMK10737

BRENDALE QLD 4500

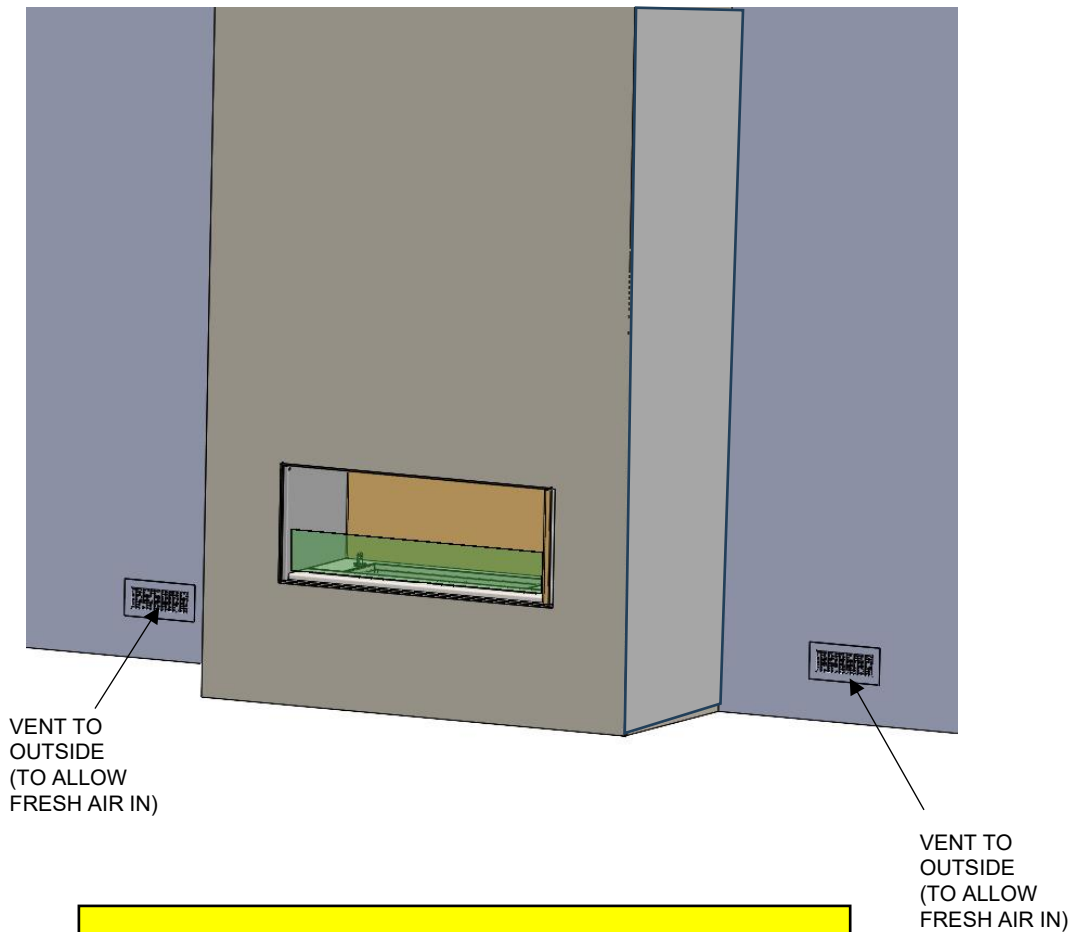
MODEL:	MODEL NO.	GAS TYPE	BURNER	GAS CONS.	INJECTOR	T.P.P.
HORIZON RANGE			OPTION	MJ / HR	SIZE	K/PA
				NAT GAS	NAT GAS	NAT GAS
<u>SINGLE SIDED:</u>						
1100PHOEN	PHOENHOR1100	NAT GAS	1000	42	2.2 x 2	0.9
1500PHOEN	PHOENHOR1500	NAT GAS	1400	65	2.2 x 3	0.9
2000PHOEN	PHOENHOR2000	NAT GAS	1800	68	2.2 x 3	0.9
<u>CANTILEVER:</u>						
1100PHOEN	PHOENHORC1100	NAT GAS	1000	42	2.2 x 2	0.9
1500PHOEN	PHOENHORC1500	NAT GAS	1400	65	2.2 x 3	0.9
2000PHOEN	PHOENHORC2000	NAT GAS	1800	68	4	1
<u>DOUBLE SIDED:</u>						
1100 Low Line	PHOENHORD1100	NAT GAS	1000	42	2.2 x 2	0.9
1500 Low Line	PHOENHORD1500	NAT GAS	1400	65	2.2 x 3	0.9
2000 Low Line	PHOENHORD2000	NAT GAS	2000	68	2.2 x 3	0.9

* THIS APPLIANCE CONSISTS OF A COMPLETE ASSEMBLY WHICH INCLUDES A FIREBOX AND FABRICATED FLUE SYSTEM. PLEASE REFER TO INSTRUCTIONS FOR CLEARANCES TO COMBUSTIBLE MATERIAL, FLUE SIZES AND METHOD OF INSTALLATION.

* PRIMARILY A DECORATIVE AND NOT A HEATING APPLIANCE.

AFTER INSTALLING APPLIANCE CHECK THAT CHIMNEY DRAWS PROPERLY.

Installation Instructions Kemlan Three Sided Power Flue Horizon Gas Fireplaces



NOTE: AIR VENTS TO THE OUTSIDE IS REQUIRED TO LET FRESH AIR INTO THE CHASE.
VENT OPENING APPROXIMATELY 40,000 SQ.MM

Ventilation Requirements:

Rooms with gas open fireplaces require as per clause 6.10.9.5 in AS/NZS5601.1:2013, one or more ventilation openings with a combined free ventilation area of not less than the equivalent cross section area of the flue cowl shall be provided for each decorative flame effect fire, and calculations based on clause 6.4.4

Gas Installation

- 1 Check unit is suitable for intended gas supply.
- 2 Note position on gas appliance on drawing specification on right hand side of appliance.
- 3 A gas cock has to be fitted prior to gas burner to allow unit to be removed for servicing.
- 4 If material has been installed around firebox and access panel below is not accessible the top plate can be removed to gain access by removing four screws and lifting out top plate.
- 5 Connection is half inch BSP fitting. Cut and deburr both ends of pipe. Fit end to gas supply point and turn on for approximately 5 seconds to clear dirt and grit out of pipe. Connect into gas valve.
- 6 Turn on the gas and check all connections for leaks using approved method for testing. Fix any leaks.

Adjusting Pressure, Pilot and Low Fire

- 1 All settings are set to operate at nominal pressure (see data plate). Test points to measure inlet and outlet pressure are located on gas valve. Unscrew brass screw on test point pressure nipples and attach manometer and read pressures with unit running. Adjust pressure to data plate requirements.
- 2 Check low fire if adjusted correctly.
- 3 Note: Failure to set pressures correctly will void warranty on the unit.

Lighting Instructions

Natural Draft Electronic Ignition Fireplaces are provided with 240volt electronic ignition systems.

An on/off wall switch is supplied and fitted with unit. The fireplace is switched on from wall switch. Power is then sent to valve to light pilot and main burner will then ignite from pilot.

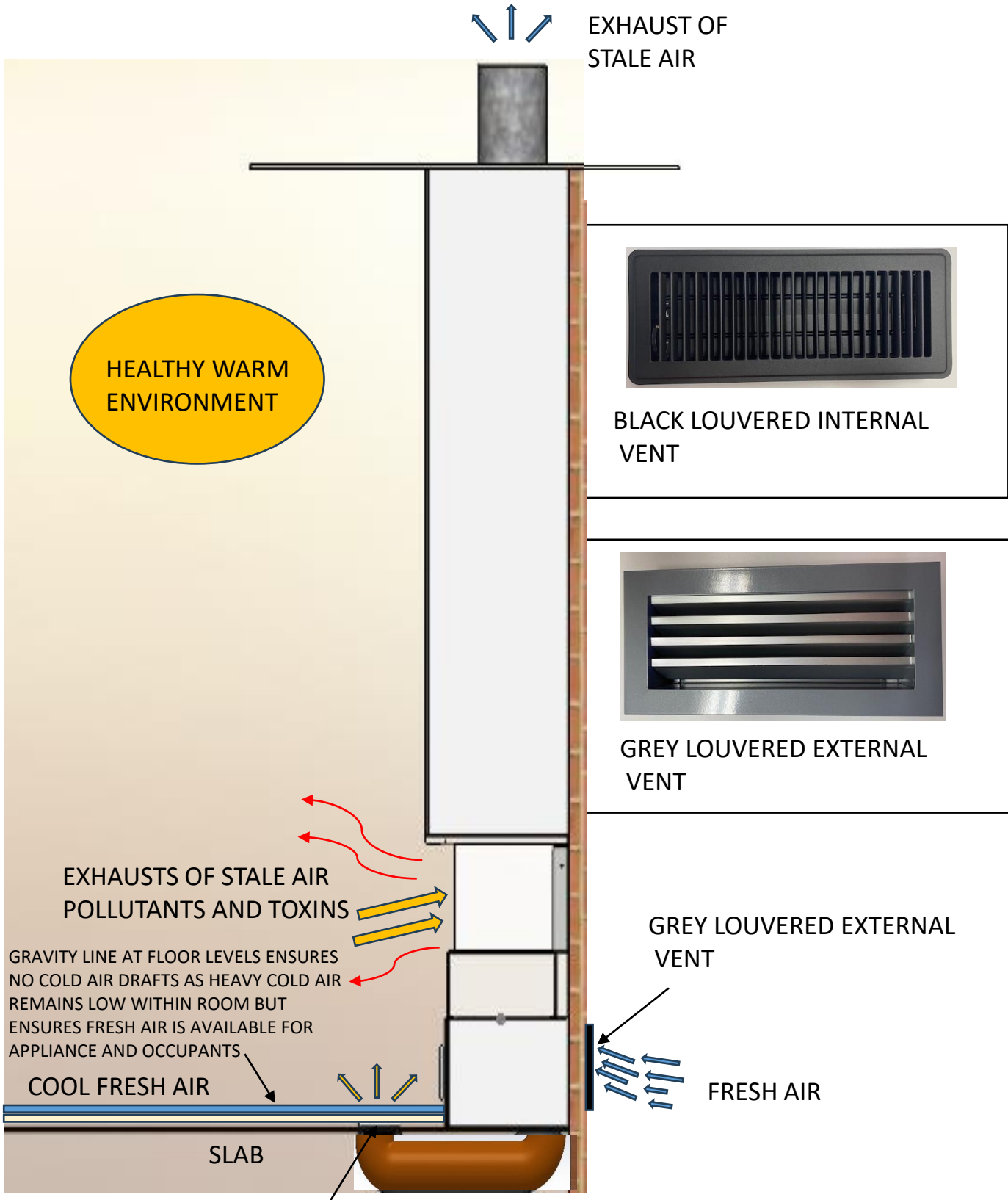
Burner is turned off by turning off wall switch. System does not have a high low burner switch.

Laying the fire – Coal & Pebble

- Evenly spread a bag of Vermiculite into the burner tray. Tray should be completely filled to the top with Vermiculite to a depth of approximately 45mm.
- Unpack the coals/pebbles contained in a clear plastic bag and lay a row of coals/pebbles on the vermiculite along the back of the burner tray leaving approximately 12-15mm between them.
- Leave spaces at the edges to allow free flow of gas.
- Place a further row of coals/pebbles directly in front of the first row but staggered so that the second row of coals are behind the gaps of the first row leaving approximately 12-15mm between the rows of each coal/pebble.
- Lay further rows of staggered coals/pebbles depending on the size of the basket grate.
- Once the bottom layer is completed, build up 2-3 tiers of coals in a honeycomb pattern to form an elongated pyramid.
- Lay the coals/pebbles so that some irregularity to the pile through which the flames may lick, is created.
- Your aim is to build “windows” into the fire through which the radiant effect may show but at the same time, not leaving such large gaps between the coals/pebbles that excessive air may enter and “damp down” the red glow.
- After the fire has been alight for 15 minutes, you may wish to add the odd coal/pebble or even relay the fire completely. Allow to cool before touching the coals/pebbles.
- Experience will enable you to obtain a pleasing appearance with suitable heat output, but please bear in mind that it is important to maintain the general pattern described above and indicated in illustrations.

SEE NEXT PAGE FOR COAL & PEBBLE DIAGRAMS

VENTILATION FOR GRAVITY VENT OF OPEN GAS FIREPLACES THROUGH THE SLAB



BLACK LOUVERED INTERNAL VENT

Horizon Phoenix Burner – Media Placement Instructions

Step 1: Install Black Break Glass Media

- Evenly place the **black break glass media** within the **burner media tray**, ensuring it is **level with the top edge of the tray**.
- **Note 1:** As an optional enhancement, **additional black glass media may be placed around the outside of the burner tray**, particularly when used in combination with the **log set**, for a more immersive visual effect.

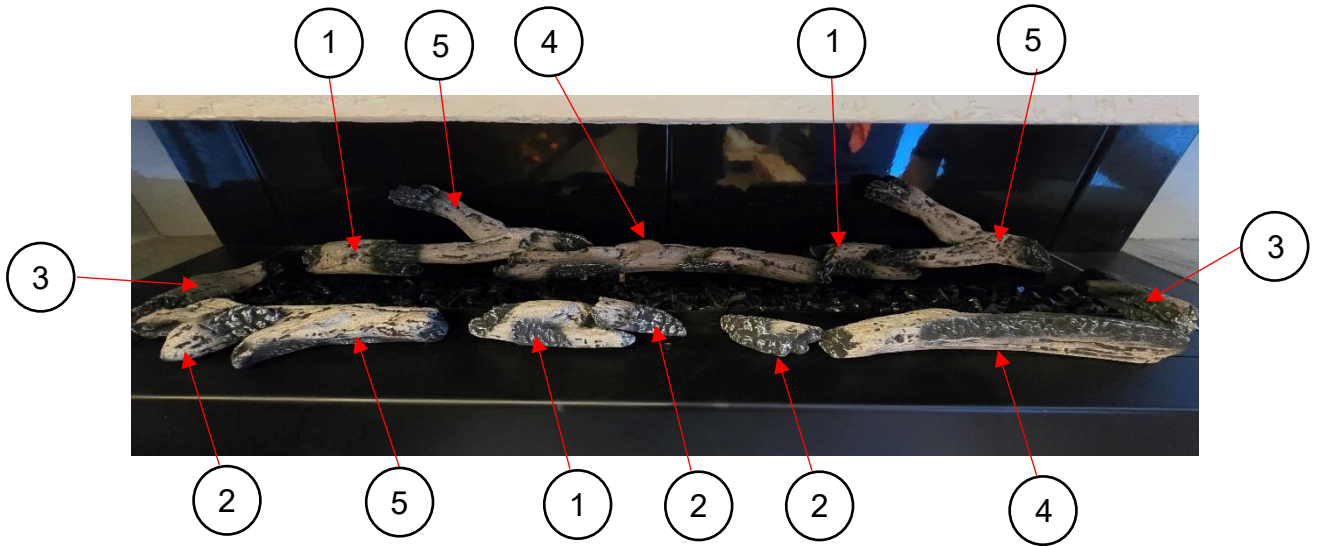
Step 2: Install Log Set







- Place the **numbered ceramic logs** in sequential order, starting from the **right-hand side of the burner front**, continuing along the **left side**, and then finishing at the **rear of the burner**, following the placement guide illustrated in the reference images provided.

Important Notes:

- **Note 1.2:** Ensure that **no logs obstruct, cover, or impede** the flame path of the burner at any point.
- Logs should sit **securely and naturally** within the designated areas on or around the burner tray, with **no direct contact over burner ports**.

Horizon 1100 Edge – Ceramic Log Set

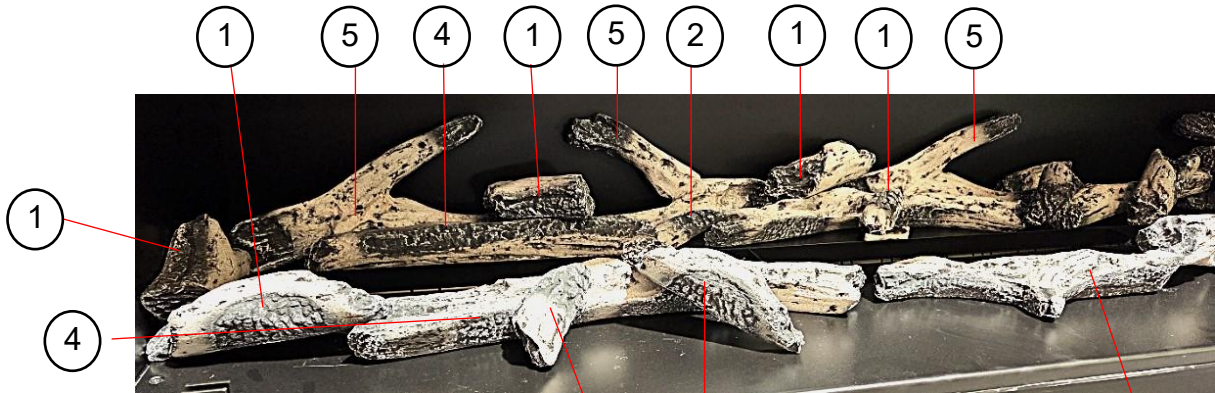


<p>1</p> 		<p>2</p> 	
<p>3</p> 		<p>4</p> 	
<p>5</p> 		<p>6</p> 	

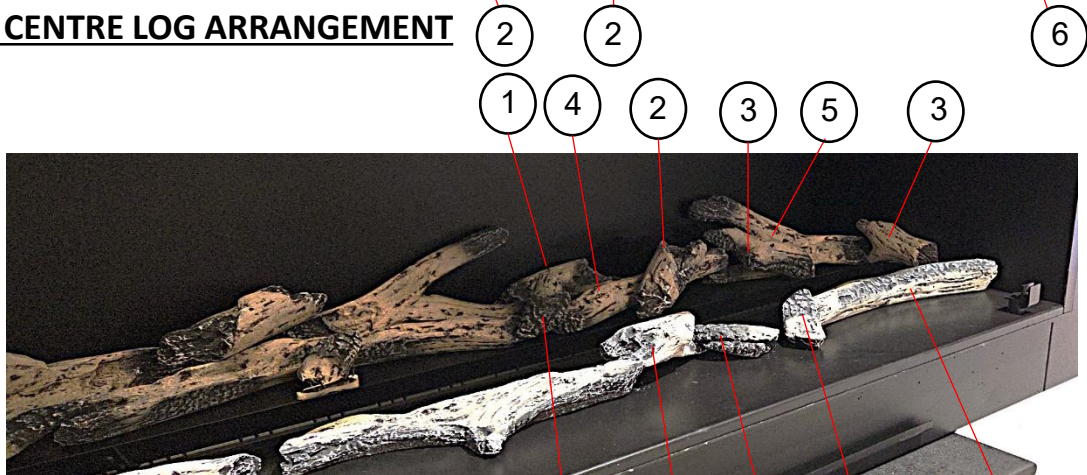


NOTE: THE MEDIA AND LOG SETS SHOWN CONTAINS:
 - 2 BAGS OF BLACK GLASS MEDIA
 - 1 BOX OF LOG SETS







Horizon 1500 Edge– Ceramic Log Set



LEFT TO CENTRE LOG ARRANGEMENT

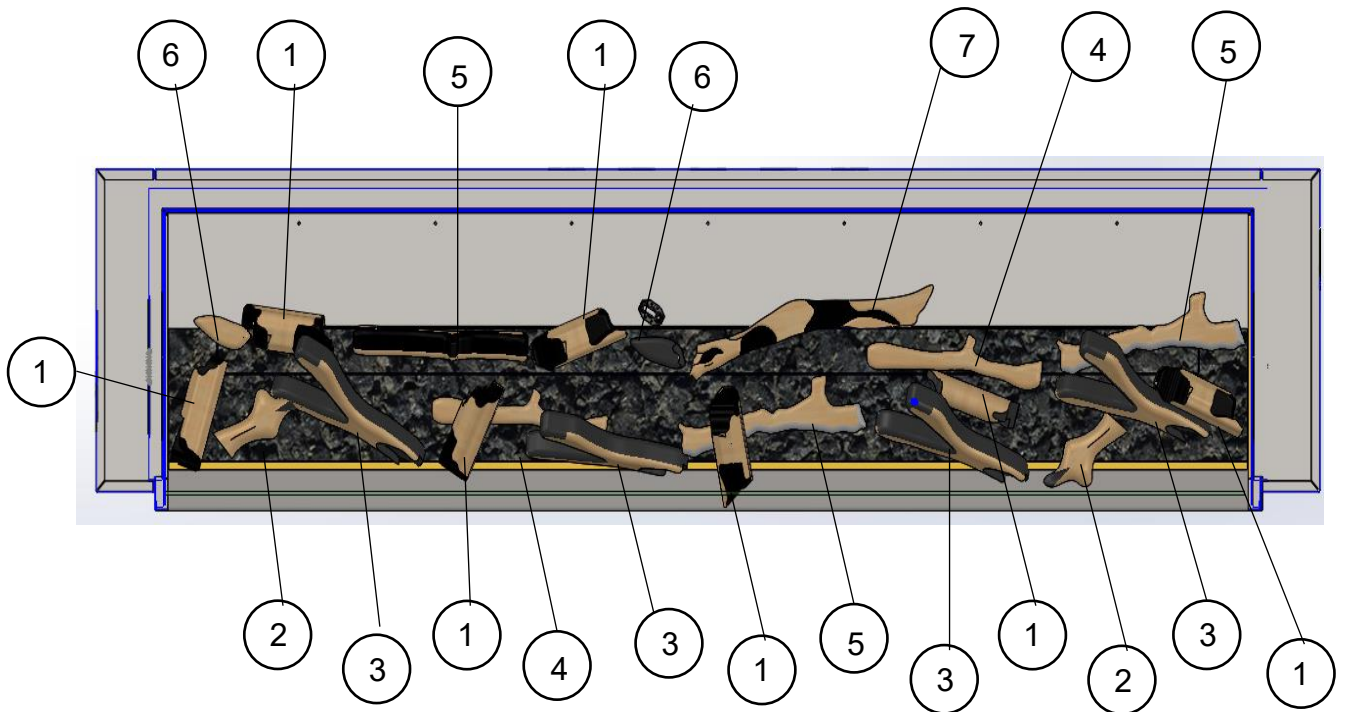


CENTRE TO RIGHT LOG ARRANGEMENT

<p>1</p> 		<p>2</p> 	
<p>3</p> 		<p>4</p> 	
<p>5</p> 		<p>6</p> 	

NOTE: THE MEDIA AND LOG SETS SHOWN CONTAINS:
 - 4 BAGS OF BLACK GLASS MEDIA
 - 2 BOXES OF LOG SETS

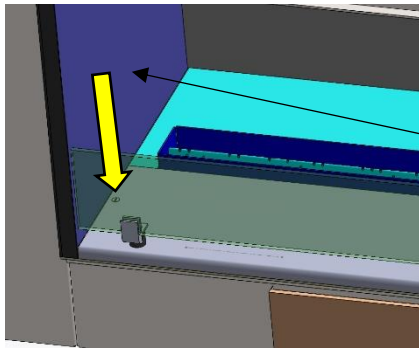
Horizon 2000 Edge – Ceramic Log Set



1		2	
3		4	
5		6	
7		8	

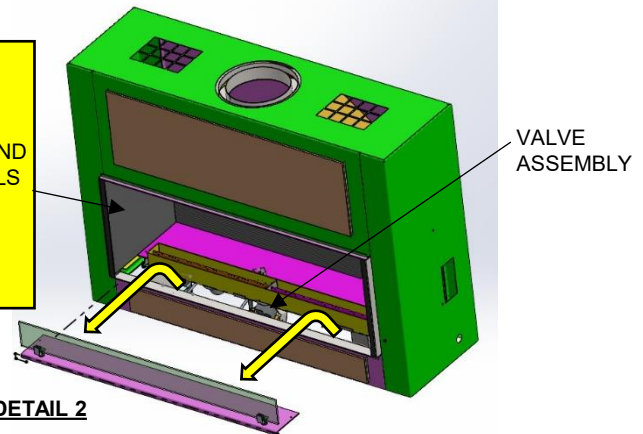
NOTE: THE MEDIA AND LOG SETS SHOWN CONTAINS:
 - 6 BAGS OF BLACK GLASS MEDIA
 - 2 BOXES OF LOG SETS

VALVE AND TECHRITE MODULE ACCESS INSTRUCTION



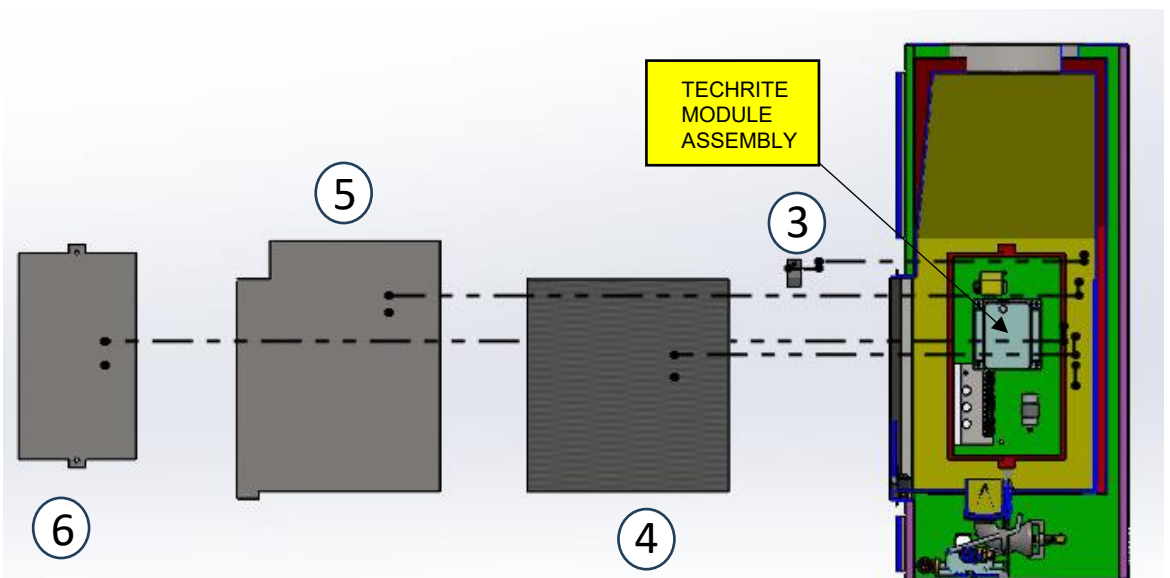
DETAIL 1

TECHRITE
MODULE
ASSEMBLY
HIDDEN BEHIND
THESE PANELS
REFER TO
DETAIL 3
BELOW TO
REVEAL



DETAIL 2

1. REMOVE SIDE SCREW ON THE FRONT BURNER TRAY AS INDICATED
(NOTE: IT IS ALSO OPTIONAL TO REMOVE THE FRONT GLASS BUMPER. THIS CAN BE ACHIEVED BY UNFASTENING THE GRUB SCREW BEHIND THE GLASS PANE ON BOTH SIDES.)
2. SLIDE THE FRONT BURNER TRAY ASSEMBLY FORWARD, THEN TILT THE FRONT EDGE ONLY UPWARDS, REMOVE THE WHOLE ASSEMBLY AWAY IF REQUIRED. THE INNER PARTS OF THE VALVE ASSEMBLY WILL BE ACCESSIBLE FOR ADJUSTMENTS, MAINTENANCE, OR REPAIRS.



DETAIL 3

3. UNFASTEN THE SELF-TAPPING SCREW AND REMOVE THE GLASS BRACKET. MAKE SURE THE GLASS DOES NOT FALL OVER AND BREAK.
4. PULL THE GLASS AWAY FROM THE APPLIANCE AND KEEP IN A SAFE PLACE.
5. REMOVE THE HEAT GUARD PANEL AWAY FROM THE APPLIANCE.
6. REMOVE THE 2 SCREWS HOLDING THE DOOR AND MOVE THE DOOR AWAY. THIS WILL EXPOSE THE TECHRITE MODULE READY FOR ADJUSTMENTS MAINTENANCE OR REPAIRS

Commissioning Procedure

Installed correctly the burner should not emit any fumes into the room. The following procedure should be undertaken to test that the unit is operating correctly.

- 1 After unit has been operating for a short period a smoke match, smoke tube, carbon dioxide analyser or similar should be directed at the top opening of the unit.
- 2 This procedure should be undertaken with the following conditions in the room:
 - Open or closed windows
 - Operation of extraction/exhaust fans, range hoods etc.
 - Operation of other gas appliances
 - Operation of optional appliance fan at any speed.
- 3 Should any spillage be detected the cause must be rectified before allowing commissioning of unit.
4. Please test appliance operation before leaving.

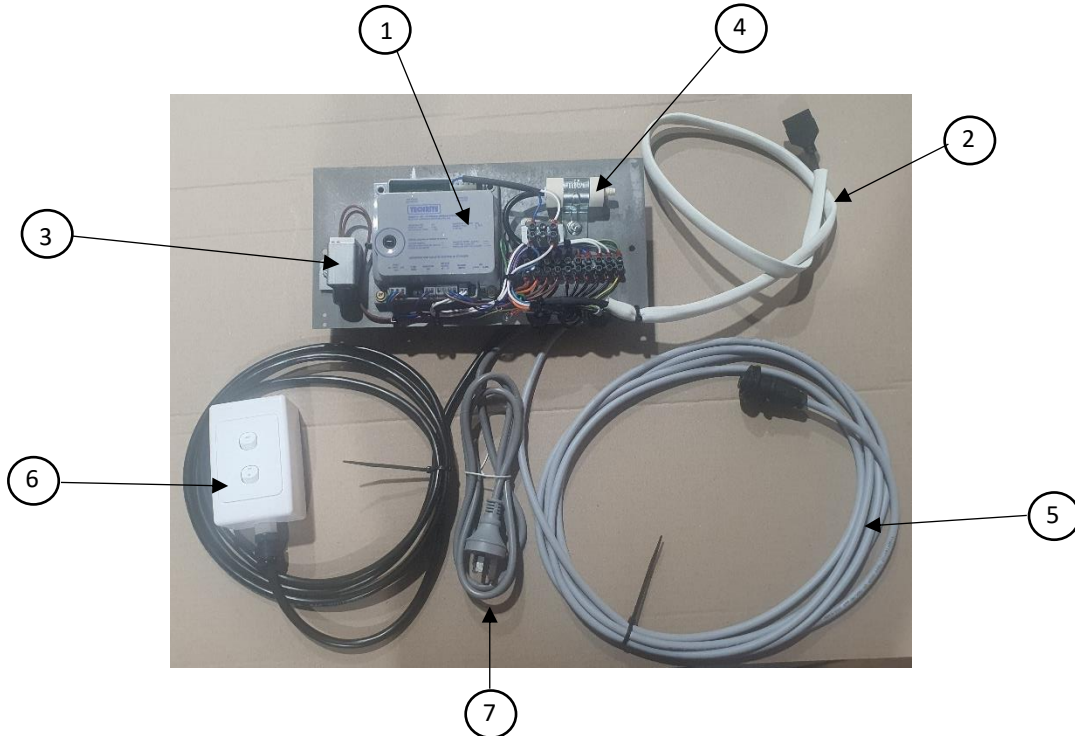
User Instructions

1. **WARNING NOTE:** Properly installed and operated this appliance will not leak gases. Persistent fume emission must not be tolerated. If fume emission does exist, then the following immediate action should be taken.
 - A Open doors and windows to ventilate room.
 - B Turn the fire off.
 - C Check for flue blockage and clear if necessary.
 - D Do not attempt to relight the burner until the cause of the emission has been identified and rectified. Should assistance be required contact nearest agent.
 - E The gas burner is designed to work in a Kemlan Horizon electronic power flue ignition system. Working correctly there will be no spillage. Unit should cut out if not enough draw to ensure proper functioning.
- 2 Initially the Kemlan coal fire may burn with a slightly blue flame. After approximately 20 minutes the fire will settle down and burn with a yellow flame.
- 3 As with all gas fires your gas coal/pebble or log fire should be regularly serviced. We recommend once each year. Service information for an authorised person to follow has been set out in attached leaflet.
- 4 **PLEASE NOTE:** Only logs provided by Kemlan should be used with this appliance.
- 5 **DO NOT** place articles on or against this appliance.
 - DO NOT use or store flammable materials near this appliance.
 - DO NOT spray aerosols in the vicinity of this appliance whilst it is in operation.
 - DO NOT modify this appliance.Primarily a decorative appliance not certified as a space heater.
- 6 The appliance is a live fuel effect product designed to operate with luminous flames and may exhibit slight carbon deposition.
7. The guard is fitted to this appliance to reduce the risk of fire or injury from burns and no part of it should be permanently removed.

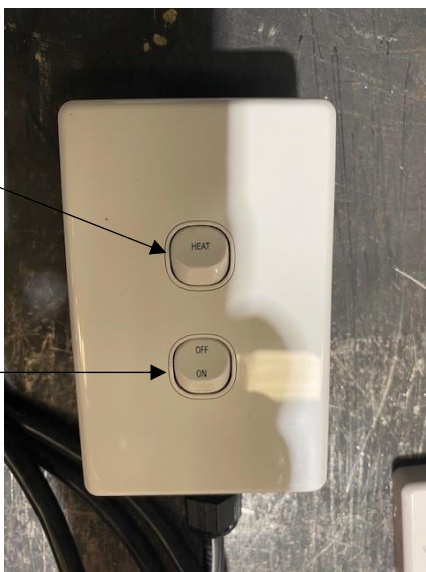
SERVICE - WARNING: ONLY TO BE SERVICED BY AN AUTHORISED PERSON

IMPORTANT: THIS APPLIANCE REQUIRES FRESH AIR TO OPERATE SAFELY. THE ROOM WHERE THIS APPLIANCE IS INSTALLED MUST HAVE PERMANENT VENTILATION FROM OUTDOORS, THIS VENTILATION MUST NOT BE MODIFIED.

POWER FLUE FAN SPEED CONTROL COMPONENTS



PART NAME	ITEM NO.
TECHRITE MODULE	1
GAS SOLENOID PLUG CONNECTOR	2
FAN SPEED CONTROLLER SWITCH	3
DUCT FAN CAPACITOR	4
DUCT FAN PLUG FEMALE CONNECTOR	5
HEAT - ON / OFF BURNER SWITCH	6
SUPPLY 240V (POWER CORD)	7



Wall switch Operation -

HEAT - Use to operate the unit – to turn fire ON/OFF (Heat off is the fire off but in standby mode)

OFF/ON - Isolation for all power – leave **ON** permanently unless you want to isolate all power to the unit

RESET - When flame cuts out,

1. Turn the both HEAT and ON /OFF switches to off, wait for 5 seconds.
2. Turn HEAT switch back on
3. Finally, turn ON/OFF switch back on

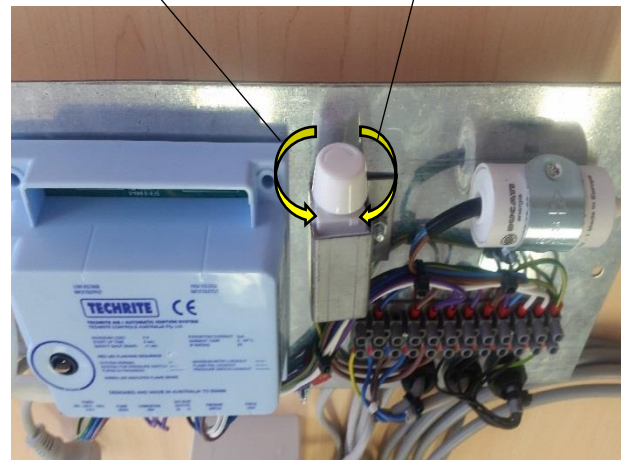
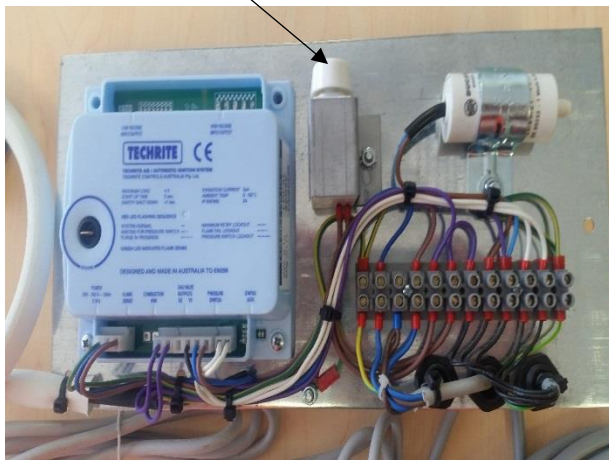
If problem persist refer to trouble shooting guide.

POWER FLUE FAN SPEED CONTROL ADJUSTMENT INSTRUCTION

Fan
speed
controller
switch

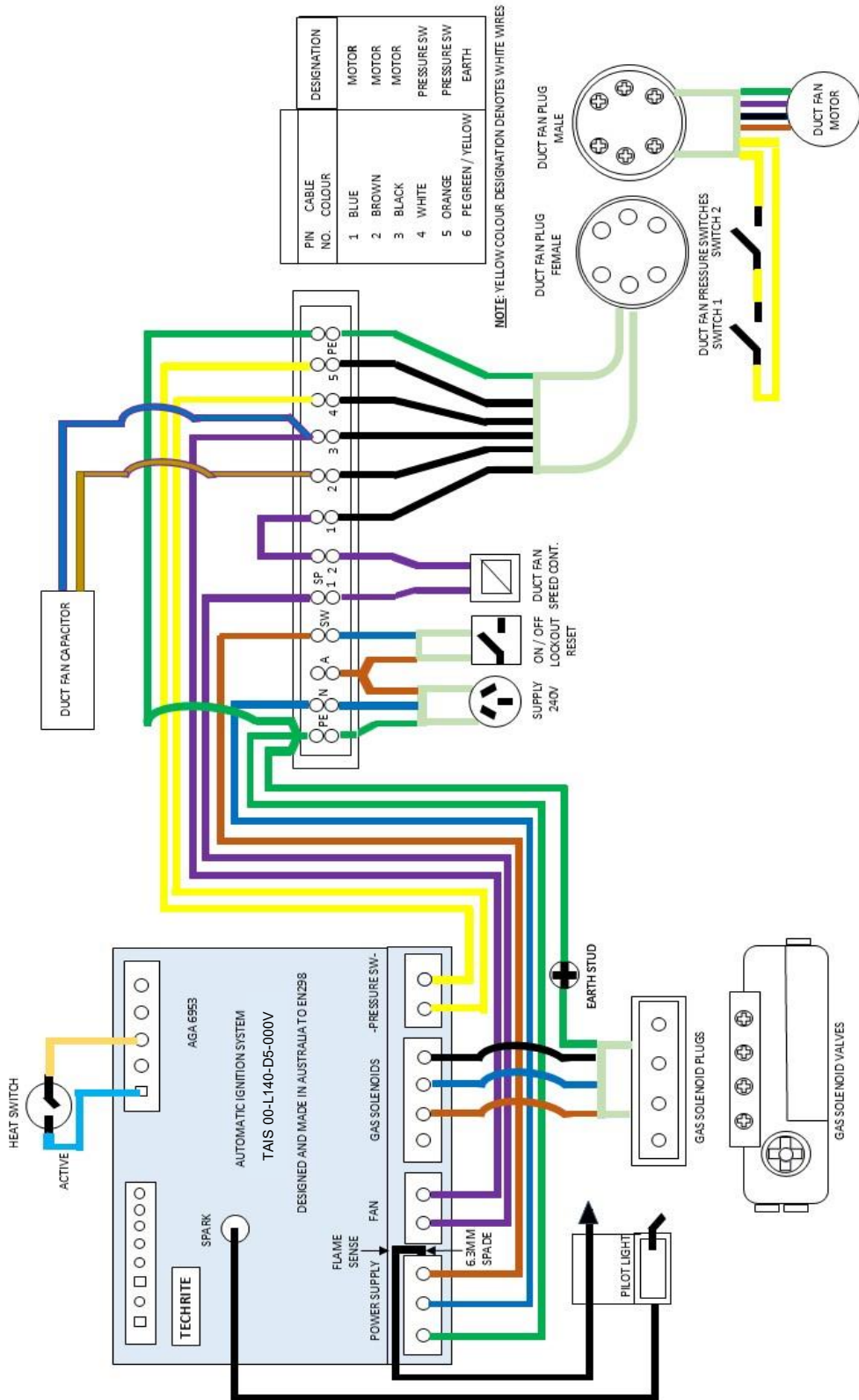
Turn fan speed
controller
switch counter
clockwise to
decrease fan speed

Turn fan speed
controller
switch clockwise to
increase fan speed



1. The speed controller will be set on high, as default from the factory
2. Depending on the flue run, fan speed can be turned down to reduce noise pollution into the room.
3. The speed controller is located on the control board, on the left hand side of the fireplace.
4. Always start the fire with the fan on high and let run for 5 minutes to make sure the burner does not cut out.
5. To reduce the fan speed, turn the speed controller anti-clockwise, only turn in small quarter increments. After each turn wait 30 seconds. This will give the fan and burner pressure time to equalise.
6. When you have turned the speed controller too low the main burner will switch off. You will need to increase the speed by a quarter turn, wait until the main burner re-ignites. Let it run for 2-5 minutes. If the main burner stays consistent, you will have reached your minimum fan speed.


Installation Instructions Kemlan Three Sided Power Flue Horizon Gas Fireplaces



For further service information contact Kemlan Australia
 Head Office –13 French Avenue, Brendale,
 Queensland 4500
 Telephone –PH: (07) 3490 5500



TAIS IGNITION MODULE

COMMISSIONING NOTES


	The controller and monitoring devices should be switched off.
	Check all the terminals are properly connected and tightened.
	Switching points of gas pressure switch – Normally Open contacts.

INCLUDE COMMISSIONING NOTES FROM THE TEST PROCEDURE

LED FLASH CODES

	The flashing Red LED light indicates the module state.
	The flashing Green LED light indicates the ignition module is sensing the flame.


TROUBLE SHOOTING GUIDE

	Warning: This is a 240VAC module. All connections to the module are 240V (except ignition cable and flame sense). Ensure power is switched off before checking any connection or replacing any components.
	The ignition unit is polarity sensitive. If the active and neutral cables are not wired correctly, the unit will not sense a flame, the green LED will not come on. The heater will light but will turn off almost immediately as a result.
	Before carrying out repairs, turn off the power, visually inspect all cables and connections for damage or corrosion
	Be certain to turn off the power before disconnecting or checking supply switch.

If a fault occurs, the sequence of LED flashes giving the description about the nature of the fault. It makes troubleshooting much easier. Some of the more common codes are listed below.


Installation Instructions Kemia Three Sided Power Flue Horizon Gas Fireplaces

TAIS IGNITION MODULE

LED Flash code (Long Flashes – Short Flashes)	Description	Possible Causes
		The following codes may occur during startup
0-2	Normal Operation – Start Up Delay	-
1-0	Normal Operation	Appliances running correctly (Green LED will be ON)
1-1	Flame failure detected	<ul style="list-style-type: none"> • Loss of Flame. Check Flame sensor and spark electrode. Check gas Supply.
1-2	Waiting for main pressure switch	<ul style="list-style-type: none"> • Pressure switch is closed on start-up/ Check terminal Connection. • fan is not starting/ Check connection on Fan terminal. • producing enough pressure for pressure switch to close/ Check whether fan is running at higher speed.
1-3	Waiting for second pressure switch	Same reasons as above but for second pressure switch (if used/available)
1-4	Waiting for flame sense to go OFF	A flame is detected on start-up. Check flame sense circuit.
1-5	Purge operation in progress (pre purge, inter purge or post purge)	Waiting for any purge times to expire.
1-6	Waiting for Vent Switch contacts before continuing	<ul style="list-style-type: none"> • Waiting for vent switch contacts to be open at start-up or close after vent switch time has expired. Check vent motor is being powered and is moving. Check vent switch.
1-7	Waiting for Hot Surface Ignitor pre-heat timer to expire	Waiting for HSI heat up time to expire.
1-8	Waiting for fan tachno feedback signal to be within acceptance window (module option)	Fault in tachno or tachno feedback circuit. Check tachno circuit connection.
The following codes are invoked as a result of a lockout condition		
2-1	Maximum retries exceeded	<ul style="list-style-type: none"> • Module has tried for ignition but failed, check module is sparking at the spark electrode. • Check gas supply. • Check gas valve is opening.
2-2	Lockout due to flame failure	<ul style="list-style-type: none"> • Module has been running but flame has gone out. • Check gas supply • Check gas valve. • Check flame sense circuit.

Installation Instructions Kemia Three Sided Power Flue Horizon Gas Fireplaces

TAIS IGNITION MODULE

LED Flash code (Long Flashes – Short Flashes)	Description	Possible Causes
		The following codes may occur during startup
0-2	Normal Operation – Start Up Delay	-
1-0	Normal Operation	Appliances running correctly (Green LED will be ON)
1-1	Flame failure detected	<ul style="list-style-type: none"> • Loss of Flame. Check Flame sensor and spark electrode. Check gas Supply.
1-2	Waiting for main pressure switch	<ul style="list-style-type: none"> • Pressure switch is closed on start-up/ Check terminal Connection. • fan is not starting/ Check connection on Fan terminal. • producing enough pressure for pressure switch to close/ Check whether fan is running at higher speed.
1-3	Waiting for second pressure switch	Same reasons as above but for second pressure switch (if used/available)
1-4	Waiting for flame sense to go OFF	A flame is detected on start-up. Check flame sense circuit.
1-5	Purge operation in progress (pre purge, inter purge or post purge)	Waiting for any purge times to expire.
1-6	Waiting for Vent Switch contacts before continuing	<ul style="list-style-type: none"> • Waiting for vent switch contacts to be open at start-up or close after vent switch time has expired. Check vent motor is being powered and is moving. Check vent switch.
1-7	Waiting for Hot Surface Ignitor pre-heat timer to expire	Waiting for HSI heat up time to expire.
1-8	Waiting for fan tachometer feedback signal to be within acceptance window (module option)	Fault in tachometer or tachometer feedback circuit. Check tachometer circuit connection.
The following codes are invoked as a result of a lockout condition		
2-1	Maximum retries exceeded	<ul style="list-style-type: none"> • Module has tried for ignition but failed, check module is sparking at the spark electrode. • Check gas supply. • Check gas valve is opening.
2-2	Lockout due to flame failure	<ul style="list-style-type: none"> • Module has been running but flame has gone out. • Check gas supply • Check gas valve. • Check flame sense circuit.

WARRANTY FOR HORIZON MODELS

1. Provided the appliance has been correctly installed according to instructions, Kemlan guarantee the cost of replacing parts and the labour in connection therewith for a period of 12 months from the date of installation.
 - 1a. 10 years on the structural integrity of the firebox.
 - 1b. 12 months on power Flue motor and electrical components.

2. THIS WARRANTY DOES NOT COVER –

- 2.1 Failure to comply with manufacturer’s operation instructions.
- 2.2 Normal wear and tear or damage caused by incorrect installation.
- 2.3 Any form of rust and/or corrosion to the painted finish of the heater.
- 2.4 Damage caused by water ingress.
- 2.5 Cost of removal of defective heater or re-installation of replacement heater.
- 2.6 Failure to use fireplace components supplied by Kemlan Industries Pty Ltd.
- 2.7 Cost of inspection for damaged heater.

3. CLAIMS –

- 3.1 Should any defects occur, contact the Kemlan distributor from whom you purchased the heater.
 - 3.2 Under this warranty the defective parts will be repaired or replaced by Kemlan’s option, free of charge.
4. The fireplace installation must comply with the relevant local statutes, ordinances, regulations and by-laws.

PLEASE COMPLETE AND RETAIN THIS SECTION FOR YOUR RECORDS

Purchased from:
Address:
Date of Purchase: