

GRANGE SIDEBOARD

1.8M / 2.1M / 2.4M

Before you begin to assemble your new piece of furniture, please check to ensure that all hardware and parts have been supplied. This page lists all contents included in the carton(s).

Follow instructions closely as deviation from them may present a possible safety risk and may void your warranty.

It is recommended that assembly is done on a soft surface such as carpet to avoid any damage.

Care Information

DO

Use tablecloths, table runners and coasters to help protect surfaces from scratching. Certain ranges have a more raw appearance to accentuate their beauty and require extra care. Treat spills quickly with a damp cloth. Dust once a week using a soft cloth or similar duster. Use felt pads on the base of vases or similar items to avoid scratching.

DO NOT

Avoid placing hot or wet items directly on the surface as they can leave marks which are difficult to remove.

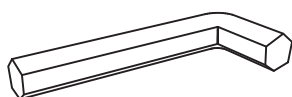
Avoid direct sunlight, as this will cause colour change. If the furniture is in direct sunlight, move items like vases around to avoid spotting.

Don't place potted plants on timber or veneers unless it is water tight or in a tray.

Avoid supermarket polishes and waxes as many contain high levels of silicon and petroleum distillate which can damage the surface.

Timber designed for indoor use should not be left outside. Its finish is not designed for use outdoors.

Hardware (Supplied)

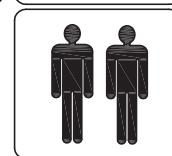
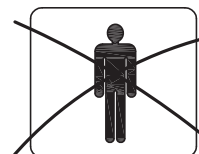
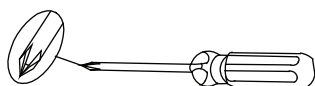


(A) Allen key

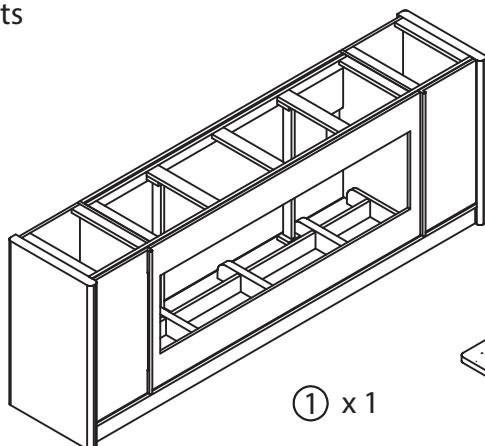


(B) Screw x 16

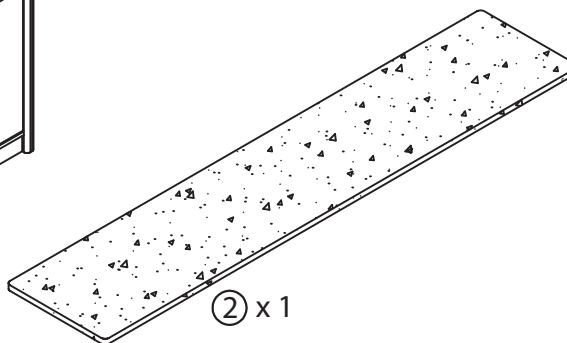
Tools Required (Not Supplied)



Parts

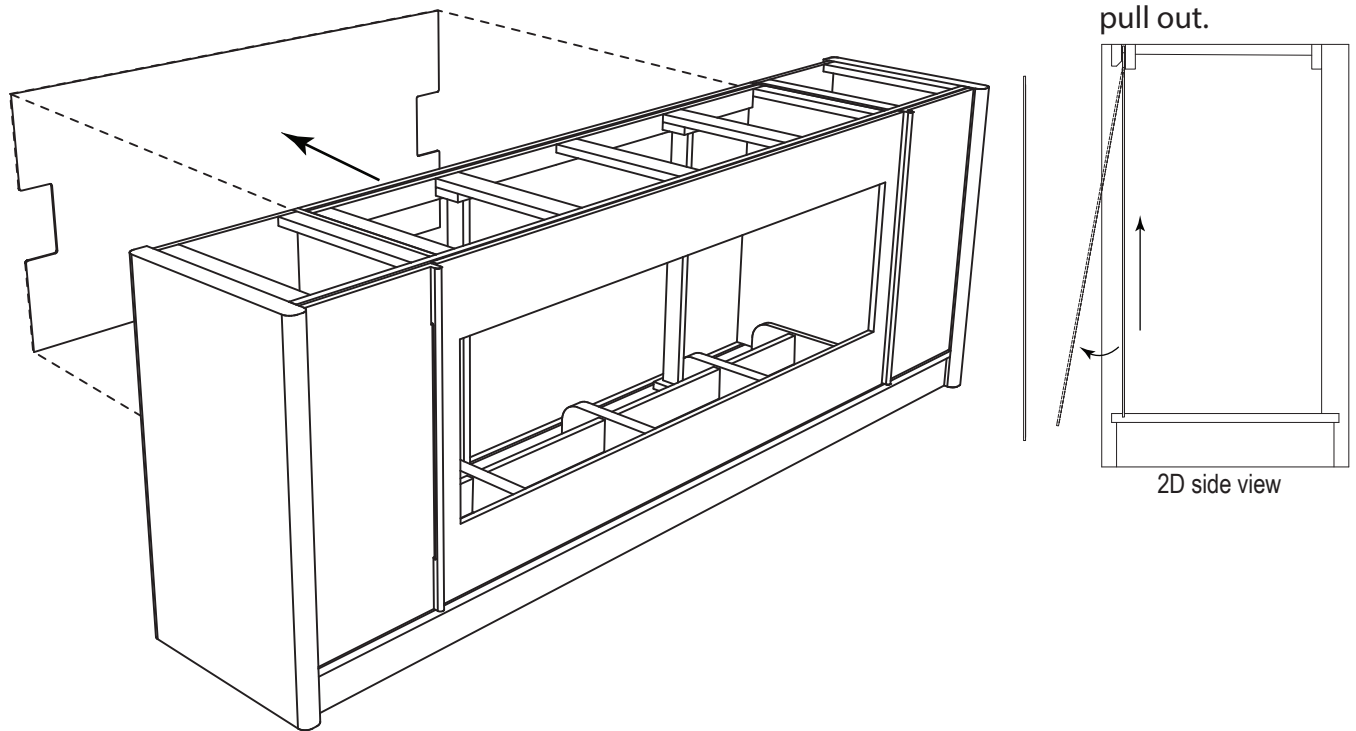


① x 1

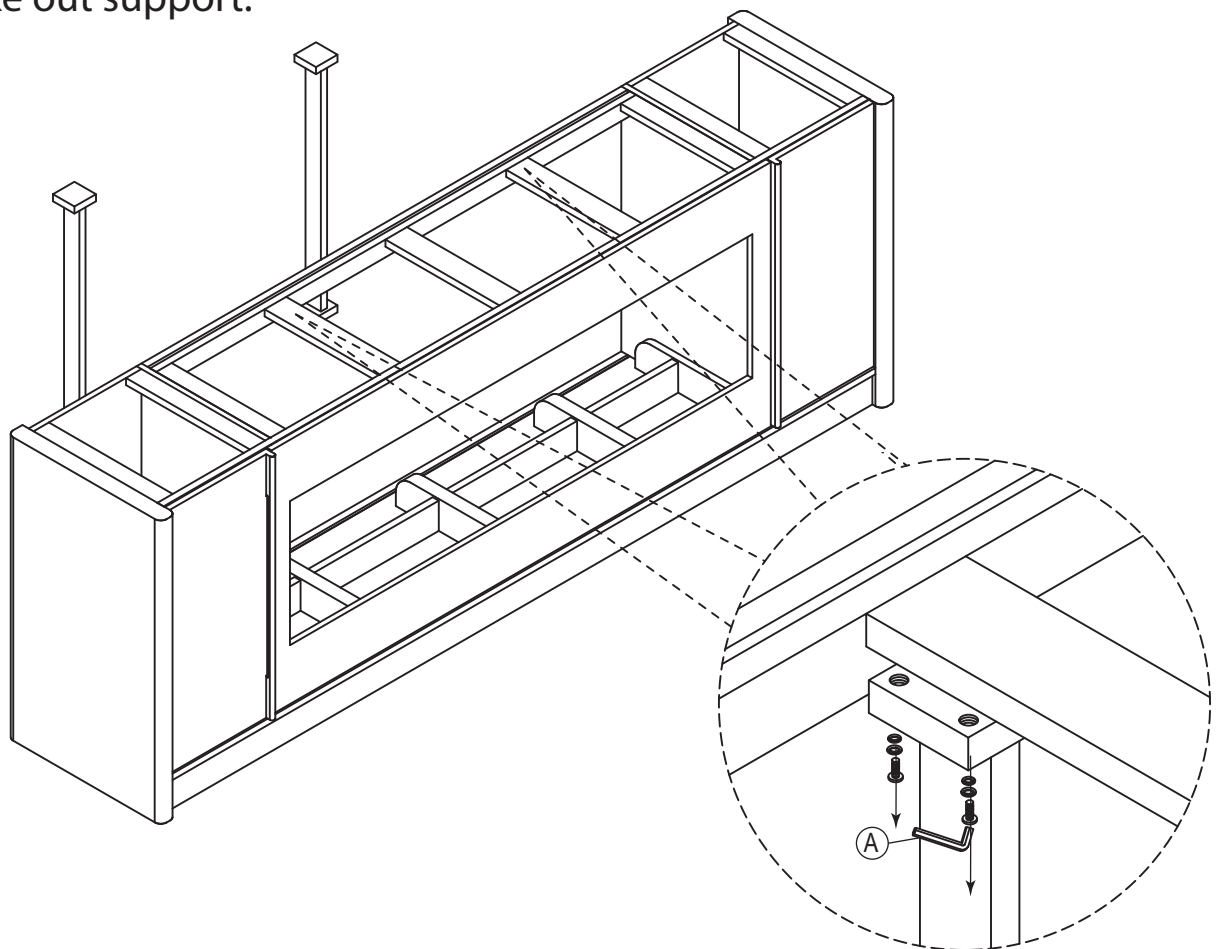


② x 1

1. Take out back panel.

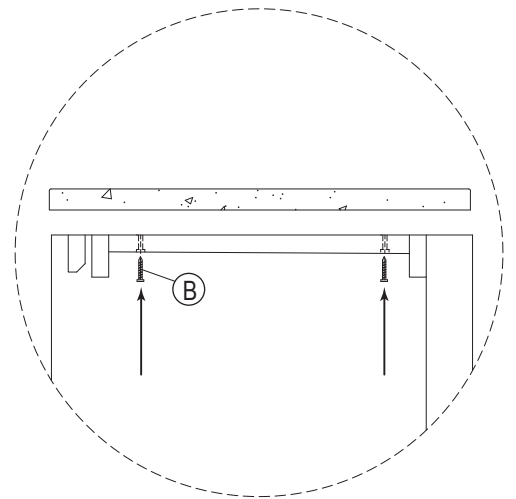
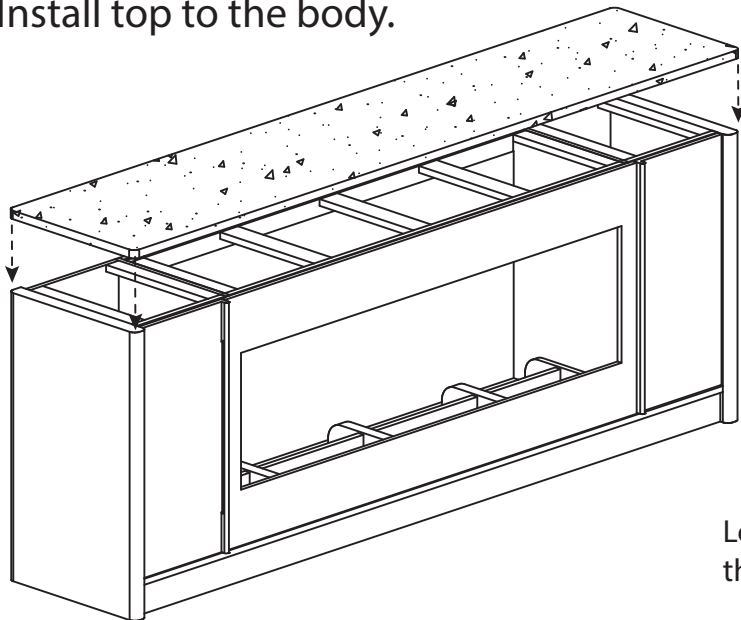


2. Take out support.



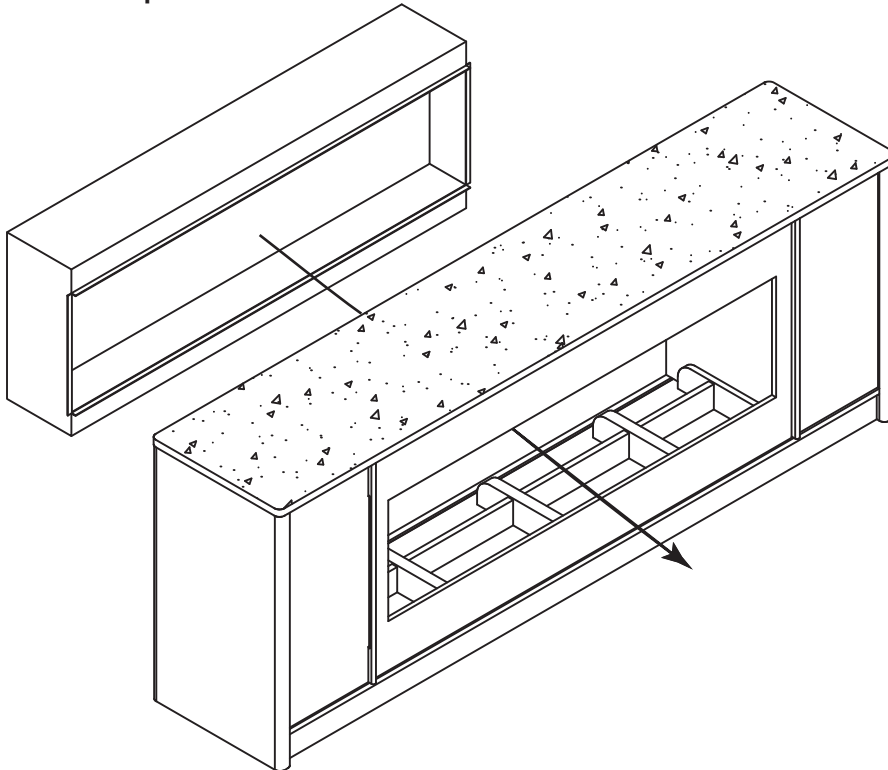
Use Allen key given to screw out the bolts and washers. Keep them to reinstall later.

3. Install top to the body.

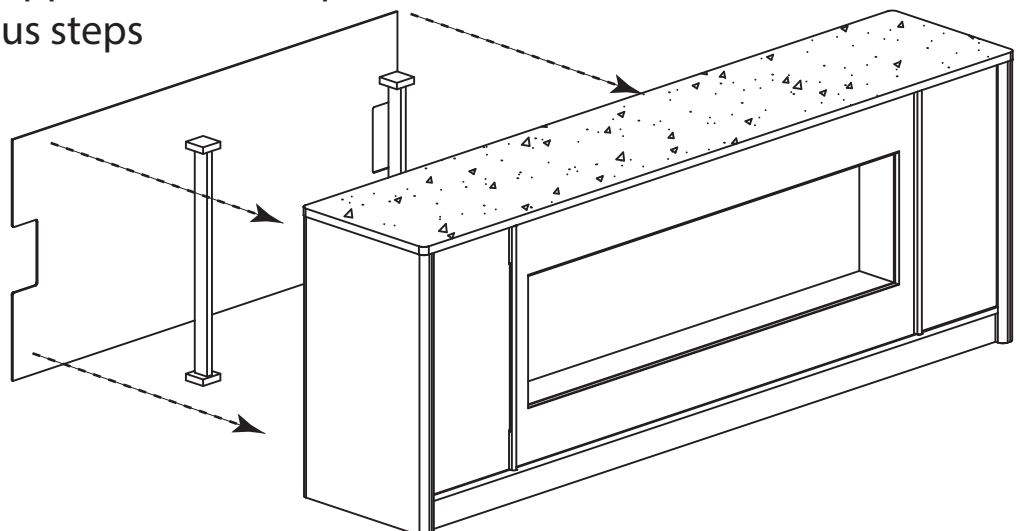


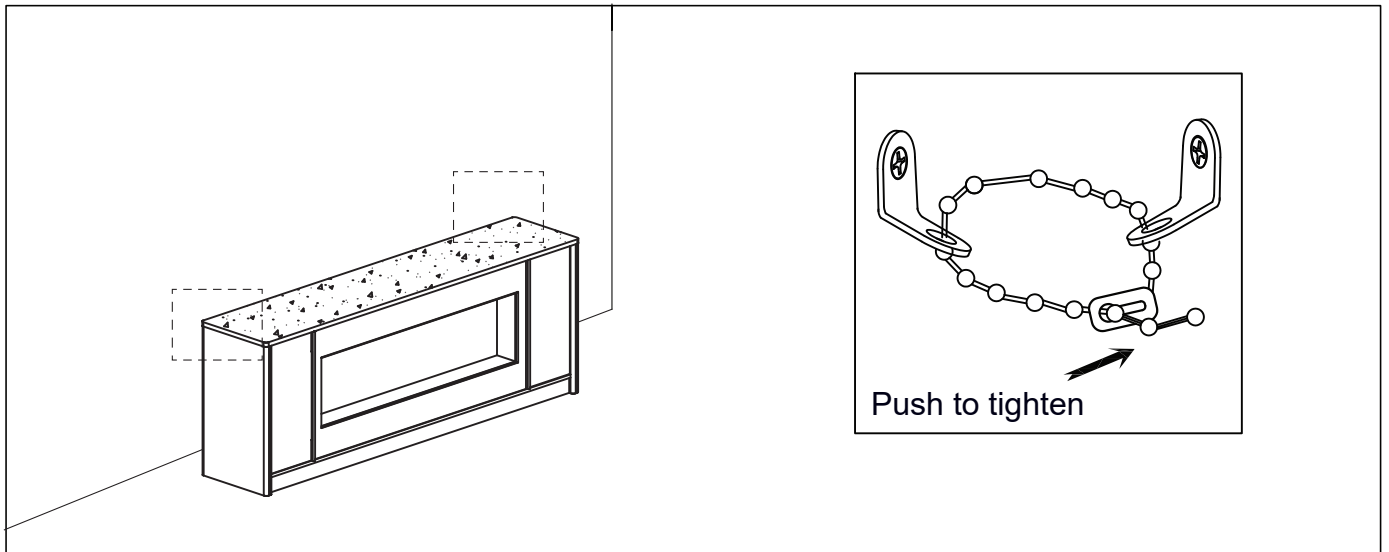
Look down the frame for screw hole and screw the frame to the top.

4. Insert fireplace into sideboard



5. Reinstall the supports and back panel based on previous steps





FINAL STEP: Attach anti tilt strap or bracket to wall.

WARNING:

To prevent your furniture from tilting forward and possibly causing property damage or personal injury it is recommended that you securely attach the anti-tilt straps or brackets provided to your wall using appropriate fixings.

IMPORTANT:

- ☒ DO NOT place toys or other child appealing items on top of this furniture.
- ☒ AVOID fully opening all drawers at the same time.
- ☒ DO NOT ALLOW small children to climb on to Drawers, Shelves or to swing from open doors.

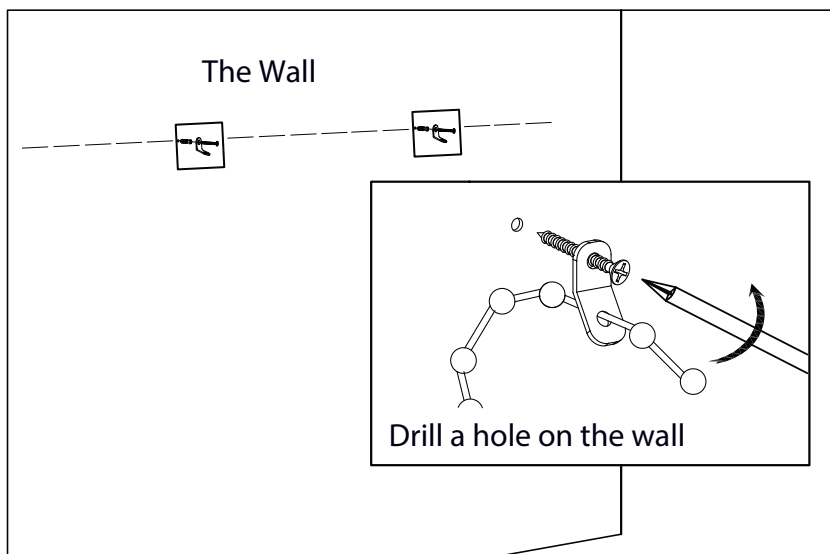
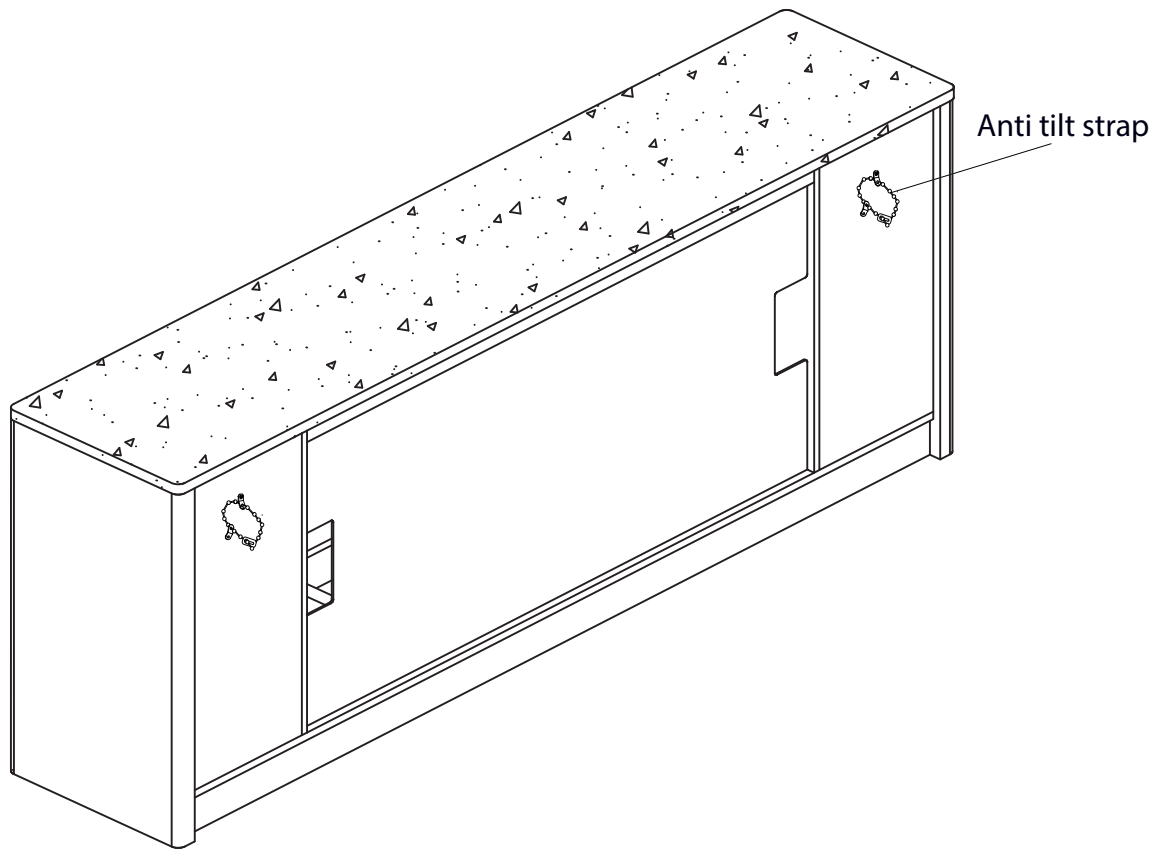
CAUTION:

For your safety when attaching the anti-tilt fixings;

- ☒ Check for any electrical wires or plumbing inside the wall before drilling any holes. (if you are unsure please seek professional advice from qualified tradesman).
- ☒ Walls are constructed from different materials e.g.: Masonry (solid brick) or plaster board lined cavity walls (hollow).

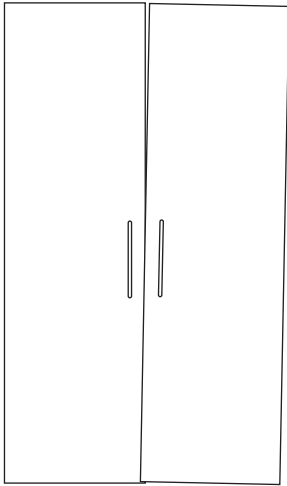
It is important that you use the appropriate wall fixing for your wall type.

(Your local hardware store will have the necessary drills and fixings, and can offer advice if needed.)



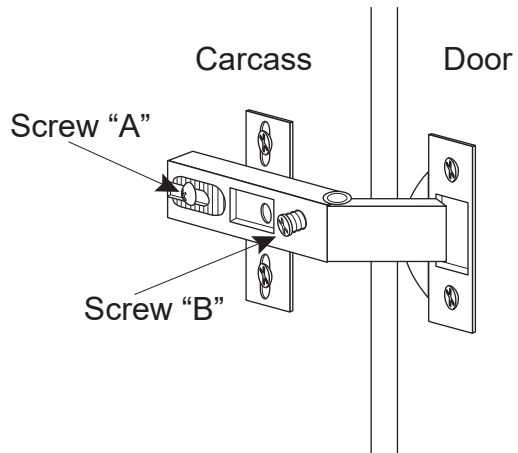
☒ Follow instruction closely as deviation from them may void your warranty and present a possible safety risk.

Lateral Movement



What it looks like

- The door will not be flush with the side panel.

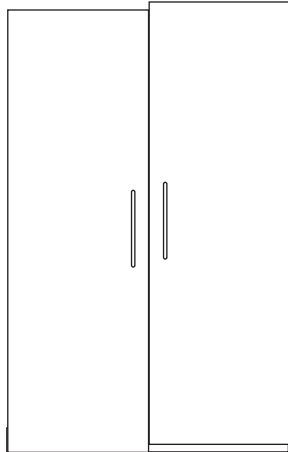


How to fix it

- To move the door towards the centre of the unit, loosen screw "A". Adjust the door and then tighten screw "B".

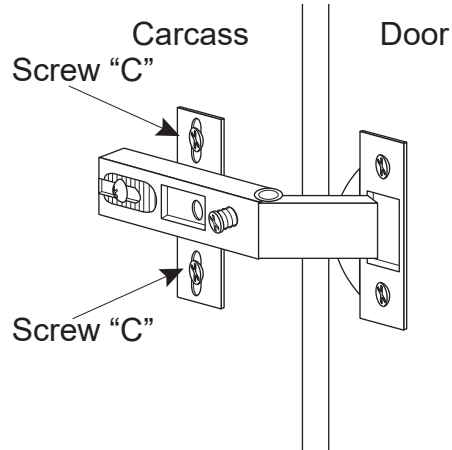
- To move the door away from the centre of the unit, loosen screw "B". Adjust the door and then tighten screw "A".

Vertical Movement



What it looks like

- The door will not be flush with the vertical panel.



How to fix it

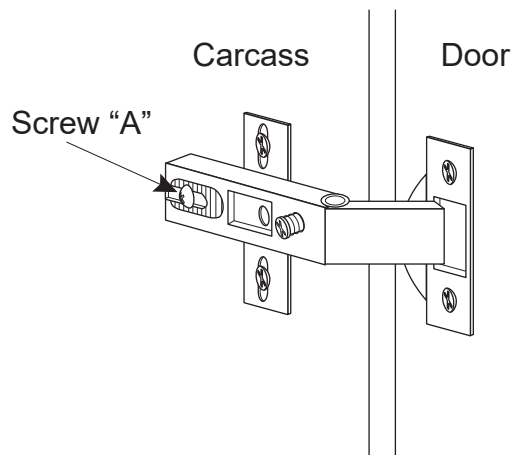
- To move the door towards or away from the horizontal panels, loosen screws "C". Adjust the door and then tighten screws "C".

Horizontal Movement



What it looks like

- The door will appear too far from or too close to the front edge of the side panel.



How to fix it

- To move the door towards or away from the unit, loosen screw "A". Adjust the door forwards or backwards until there is an even gap between the door and the front edge of the side panel.
- Tighten screw "A" once the adjustment has been made.