

# Installation Manual

## Installation and Appliance Setup

**CAUTION! Risk of Fire! DO NOT** store instruction manuals inside fireplace cavity. High temperatures could cause a fire.

**INSTALLER:** Leave this manual with the appliance, not inside the appliance.

**CONSUMER:** Retain this manual for future reference. Do not store inside the appliance.

**NOTICE: DO NOT** discard this manual!

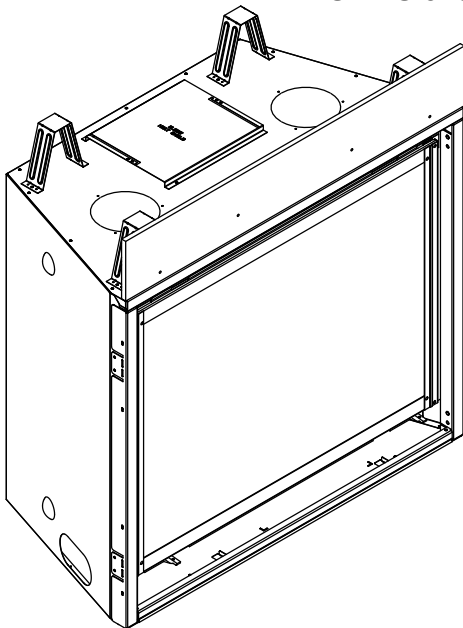
**HEAT & GLO**  
No one builds a better fire

**Models:**

**6KX-AU**



Ref No GMK10810  
AS/NZS 5263.1.8



**NOTE: NOT INTENDED FOR FIREPLACE INSERT.**

Decorative barrier front must be ordered separately at time of appliance purchase. See Section 3.B.

**▲ WARNING:**

**FIRE OR EXPLOSION HAZARD**

Failure to follow safety warnings exactly could result in serious injury, death, or property damage.

- **DO NOT** store or use gasoline or other flammable vapors and liquids in the vicinity of this or any other appliance.
- **What to do if you smell gas**
  - **DO NOT** try to light any appliance.
  - **DO NOT** touch any electrical switch. **DO NOT** use any phone in your building.
  - Leave the building immediately.
  - Immediately call your gas supplier from a neighbor's phone. Follow the gas supplier's instructions.
  - If you cannot reach your gas supplier, call the fire department.
- Installation and service must be performed by a qualified installer, service agency, or the gas supplier.

**! DANGER**



**HOT GLASS WILL CAUSE BURNS.**

**DO NOT TOUCH GLASS UNTIL COOLED.**

**NEVER ALLOW CHILDREN TO TOUCH GLASS.**

A barrier designed to reduce the risk of burns from the hot viewing glass is provided with this appliance and shall be installed for the protection of children and other at-risk individuals.

**DO NOT PLACE ARTICLES ON OR AGAINST THIS APPLIANCE.**

**DO NOT USE OR STORE FLAMMABLE MATERIALS NEAR THIS APPLIANCE.**

**DO NOT SPRAY AEROSOLS IN THE VICINITY OF THIS APPLIANCE WHILE IT IS IN OPERATION.**

**DO NOT MODIFY THIS APPLIANCE.**

## ▲ Safety Alert Key:

- **DANGER!** Indicates a hazardous situation which, if not avoided will result in death or serious injury.
- **WARNING!** Indicates a hazardous situation which, if not avoided could result in death or serious injury.
- **CAUTION!** Indicates a hazardous situation which, if not avoided, could result in minor or moderate injury.
- **NOTICE:** Used to address practices not related to personal injury.

**Note:** The term “recommend” or “recommended” does not indicate a requirement. It is a best practice suggested by Hearth & Home Technologies®.

## Table of Contents

Installation Standard Work Checklist . . . . .	3
--	---

### 1 Product Specific and Important Safety Information

A. Appliance Certification . . . . .	4
B. Glass Specifications . . . . .	4
C. Gas Pressure Requirements . . . . .	4
D. High Altitude Installations . . . . .	5
E. Non-Combustible Materials Specification . . . . .	5
F. Combustible Materials Specification . . . . .	5
G. Electrical Codes . . . . .	5

### 2 Getting Started

A. Design and Installation Considerations . . . . .	6
B. Good Faith Wall Surface/TV Guidelines . . . . .	6
C. Tools and Supplies Needed . . . . .	9
D. Inspect Appliance and Components . . . . .	9

### 3 Framing and Clearances

→ A. Appliance Weights and Dimensions . . . . .	10
B. Decorative Barrier Front Dimension Diagrams . . . . .	11
C. Appliance Location and Clearances to Combustibles . . . . .	15
D. Constructing the Appliance Chase . . . . .	22
E. Floor Protection . . . . .	23

### 4 Termination Location and Vent Information

A. Approved Pipe . . . . .	24
B. Vent Termination Minimum Clearances . . . . .	24
C. Chimney Diagram . . . . .	26
D. Use of Elbows . . . . .	27
E. Vent Diagrams . . . . .	28
F. Power Vent Configurations . . . . .	41

### 5 Vent Clearances and Framing

A. Pipe Clearances to Combustibles . . . . .	42
B. Wall Penetration Framing/Firestops . . . . .	43
C. Ceiling Firestop/Floor Penetration Framing . . . . .	44
D. Install Attic Insulation Shield . . . . .	44

### 6 Appliance Preparation

A. Vent Collar Preparation . . . . .	45
B. Prepare For Heat Management . . . . .	47
C. Securing and Leveling the Appliance . . . . .	48
D. Non-Combustible Material (Factory-Installed) . . . . .	48

### 7 Venting

A. Assemble Vent Sections . . . . .	49
B. Assemble Slip Sections . . . . .	50
C. Secure the Vent Sections . . . . .	51
D. Disassemble Vent Sections . . . . .	51
E. Vertical Termination Requirements . . . . .	52
F. Horizontal Termination Requirements . . . . .	53

### 8 Electrical Information

A. General Information . . . . .	54
B. Wiring Requirements . . . . .	55
C. Service for Fan . . . . .	56

### 9 Gas Information

A. Fuel Conversion . . . . .	57
B. Gas Pressure . . . . .	57
C. Gas Service Access . . . . .	57
D. Gas Connection . . . . .	57
E. High Altitude Installations . . . . .	58
F. Air Shutter Setting . . . . .	58
G. Service/Replace Appliance Gas Valve . . . . .	59

### 10 Finishing

A. Facing Material . . . . .	60
B. Installing a Television . . . . .	61
C. Mantel and Wall Projections . . . . .	61 ←
D. Hearth Extension . . . . .	64
E. Decorative Barrier Front Dimensions for Finishing . . . . .	64

### 11 Appliance Setup

A. Remove the Shipping Materials . . . . .	68
B. Clean the Appliance . . . . .	68
C. Install the Black Glass Refractory . . . . .	68
D. Install the Burner Overlay . . . . .	72
E. Install the Illuminated Embers . . . . .	73 ←
F. Install Base Refractory and Burner Media/Embers . . . . .	73
G. Install the Log Assembly . . . . .	74 ←
H. Fixed Glass Assembly Removal and Replacement . . . . .	77
I. Install Decorative Barrier Front . . . . .	77

### 12 Reference Materials

A. Vent Components Diagrams . . . . .	78
B. Accessories . . . . .	83

→ = Contains updated information.

# Installation Standard Work Checklist

## ATTENTION INSTALLER: Follow this Standard Work Checklist

This standard work checklist is to be used by the installer in conjunction with, not instead of, the instructions contained in this installation manual.

<b>Customer:</b> _____ <b>Lot/Address:</b> _____ <b>Model (circle one):</b> 6KX-AU	<b>Date Installed:</b> _____ <b>Location of Fireplace:</b> _____ <b>Installer:</b> _____ <b>Dealer/Distributor Phone #</b> _____ <b>Serial #:</b> _____
--	---

**⚠ WARNING! Risk of Fire or Explosion!** Failure to install appliance according to these instructions could lead to a fire or explosion. Install ONLY components and accessories approved by Hearth & Home Technologies. Unapproved components and accessories could cause fireplace to overheat.

<u>Appliance Install</u>	YES	IF NO, WHY?
Verified that the chase is insulated and sealed. (Pg. 22)	<input type="checkbox"/>	_____
Verified clearances to combustibles. (Pg. 15)	<input type="checkbox"/>	_____
Fireplace is leveled and secured. (Pg. 48)	<input type="checkbox"/>	_____
 <b><u>Venting/Chimney Section 7 (Pg 49-53)</u></b>		
Venting configuration complies to vent diagrams.	<input type="checkbox"/>	_____
Venting installed, locked and secured in place with proper clearance. (May need to order separately.)	<input type="checkbox"/>	_____
Firestops installed.	<input type="checkbox"/>	_____
No insulation or foam materials in contact with venting or between ceiling/wall shield firestops.	<input type="checkbox"/>	_____
Attic insulation shield installed.	<input type="checkbox"/>	_____
Exterior wall/Roof flashing installed and sealed.	<input type="checkbox"/>	_____
Terminations installed and sealed.	<input type="checkbox"/>	_____
 <b><u>Electrical Section 8 (Pg 53-56)</u></b>		
Unswitched power (220-240 VAC) provided to the appliance.	<input type="checkbox"/>	_____
Switch wires properly installed.	<input type="checkbox"/>	_____
 <b><u>Gas Section 9 (Pg 57-59)</u></b>		
Proper appliance for fuel type.	<input type="checkbox"/>	_____
Was a conversion performed?	<input type="checkbox"/>	_____
Leak check performed and inlet pressure verified.	<input type="checkbox"/>	_____
Verified proper air shutter setting for installation type.	<input type="checkbox"/>	_____
 <b><u>Finishing Section 10 (Pg 60-67)</u></b>		
Combustible materials not installed in non-combustible areas.	<input type="checkbox"/>	_____
Verified all clearances meet installation manual requirements.	<input type="checkbox"/>	_____
Mantels and wall projections comply with installation manual requirements.	<input type="checkbox"/>	_____
 <b><u>Appliance Setup Section 11 (Pg 68-77)</u></b>		
All packaging and protective materials removed (inside & outside of appliance).	<input type="checkbox"/>	_____
Refractories, logs, media and embers installed correctly.	<input type="checkbox"/>	_____
Glass assembly installed and secured.	<input type="checkbox"/>	_____
Accessories installed properly.	<input type="checkbox"/>	_____
Decorative barrier front properly installed. (May need to order separately.)	<input type="checkbox"/>	_____
Manual bag and all of its contents are removed from inside/under the appliance and given to party responsible for use and operation.	<input type="checkbox"/>	_____
Started appliance and verified no gas leaks exist.	<input type="checkbox"/>	_____

**Hearth & Home Technologies recommends the following:**

- Photographing the installation and copying this checklist for your file.
- That this checklist remain visible at all times on the appliance until the installation is complete.

**Comments:** Further description of the issues, who is responsible (Installer/ Builder/ Other Trades, etc) and corrective action needed \_\_\_\_\_

Comments Communicated to party responsible \_\_\_\_\_ by \_\_\_\_\_ on \_\_\_\_\_  
 (Builder / Gen. Contractor/) (Installer) (Date)

➔ = Contains updated information.

# 1 Product Specific and Important Safety Information

## A. Appliance Certification

**MODELS:** 6KX-AU

**LABORATORY:** IAPMO OCEANA

**TYPE:** Gas appliances Decorative effect gas appliances

**STANDARD:** AS/NZS 5263.1.8

This appliance must be installed in accordance with the AS/NZS 5601.1 rules in force. PRIMARILY A DECORATIVE AND A NOT HEATING APPLIANCE.

## B. Glass Specifications

This appliance is equipped with ceramic glass with an anti-reflective coating. Replace glass only with ceramic glass. Please contact your dealer for replacement glass.

## C. Gas Pressure Requirements

Pressure requirements for 6KX-AU fireplaces are shown in table below.


Two taps are provided on the gas control for a test gauge connection to measure the inlet and outlet pressures.

The fireplace and its individual shut-off valve must be disconnected from the gas supply piping system during any pressure testing of the system at test pressures in excess of 3.4 kPa.

If the fireplace must be isolated from the gas supply piping system by closing an individual shut-off valve, it must be of the handle-less type.

**NOTE:** An inline fuel pressure regulator is recommended to limit NG inlet pressure to 2.49 kPa, and LP/ULPG inlet pressure to 3.25 kPa, to ensure optimum product performance. The inline fuel pressure regulator may be needed if any of the following symptoms exist: pilot jetting, a highly visible pilot flame, flame variation, etc. The inline pressure regulator should be installed in the gas line upstream of the appliance gas valve either at the appliance or in the utility room. Final main and manifold gas pressure must be tested with inline pressure regulator installed.

	Natural Gas	Propane	ULPG
Inlet Gas Pressure	1.13 - 3.40 kPa	2.75 - 3.40 kPa	2.75 - 3.40 kPa
* Outlet (Manifold) Gas Pressure	.78 kPa	2.44 kPa	2.43 kPa
Nonimal Gas Consumption	38 MJ/h	38 MJ/h	28 MJ/h
Burner Injector	#31 DMS (3.050 mm)	#49 DMS (1.854 mm)	#53 DMS (1.511 mm)
Pilot Injector	Ø .023 (.584 mm)	Ø .014 (.356 mm)	Ø .010 (.254 mm)

 Gas types only through field conversions.

\* The allowable Outlet (Manifold) Gas Pressure ranges are: Natural Gas .78 - .95 kPa (.78 kPa nominal) and Propane, ULPG 2.37 - 2.61 kPa (2.44 kPa nominal). Certification testing setpoint values are shown.

## D. High Altitude Installations

**NOTICE:** *If the heating value of the gas has been reduced, these rules do not apply. Check with your local gas utility or authorities having jurisdiction.*

When installing above 2000 ft. (610 m) elevation:

Reduce input rate 4% for each 1000 ft. (305 m) above 2000 ft. (610 m).

## E. Non-Combustible Materials Specification

Material which will not ignite and burn. Such materials are those consisting entirely of steel, iron, brick, tile, concrete, slate, glass or plasters, or any combination thereof.

Materials that are reported as passing **ASTM E 136, Standard Test Method for Behavior of Materials in a Vertical Tube Furnace at 750 °C (1382 °F)** shall be considered non-combustible materials.

## F. Combustible Materials Specification

Materials made of or surfaced with wood, compressed paper, plant fibers, plastics, or other material that can ignite and burn, whether flame proofed or not, or plastered or unplastered shall be considered combustible materials.

## G. Electrical Codes

All electrical safety testing has been done following the EN 60335-2-102 standard. Local codes apply.

# 2 Getting Started

## A. Design and Installation Considerations

**WARNING! Risk of Fire or Explosion!** Read all instructions before starting the installation.

Direct vent gas appliances are designed to operate with all combustion air siphoned from outside of the building and all exhaust gases expelled to the outside. No additional outside air source is required.

Installation MUST comply with local, regional, state and national codes and regulations. Consult insurance carrier, local building inspector, fire officials or authorities having jurisdiction over restrictions, installation inspection and permits.

Before installing, determine the following:

- Where the appliance is to be installed.
- The vent system configuration to be used.
- Gas supply piping requirements and space for access. See Section 9 Gas Information.
- Provisions for optional heat management system. If Passive Heat will be installed, consider location of discharge opening in relation to venting and other construction materials. Refer to the installation instructions included with the Passive Heat kit for details and the appropriate sections in this manual in terms of clearances and framing (Section 3), and finishing and mantels (Section 10).
- Electrical wiring requirements.
- Framing and finishing details.
- Whether optional accessories—devices such as a fan, wall switch, or remote control—are desired. See Section 12.B for approved accessories.

Installation and service of this appliance should be performed by qualified personnel. Hearth & Home Technologies recommends HHT Factory Trained or certified professionals.



Improper installation, adjustment, alteration, service or maintenance can cause injury or property damage. For assistance or additional information, consult a qualified service technician, service agency or your dealer.

## B. Good Faith Wall Surface/TV Guidelines

**NOTICE:** Surface temperatures listed above are taken with a temperature measuring probe as prescribed by the test standard used for appliance certification. Temperatures on walls or mantels taken with an infrared thermometer may yield increased temperatures of up to 30 °F (17 °C) or more depending on the thermometer settings and material characteristics being measured. Use appropriate finishing materials that are able to withstand these conditions. For additional finishing guidelines, see Section 10. Surface temperatures will vary due to factors such as ceiling height, room size and installation configuration.

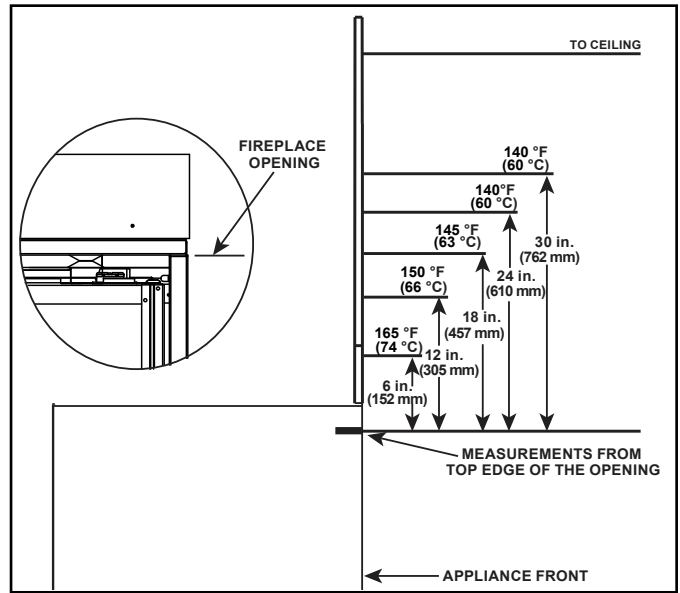


Figure 2.1 Good Faith Wall Surface Temperatures Above Appliance

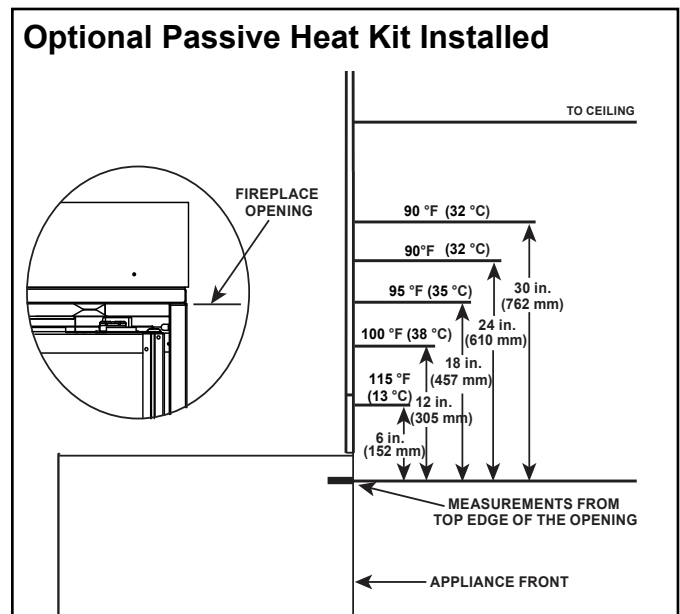
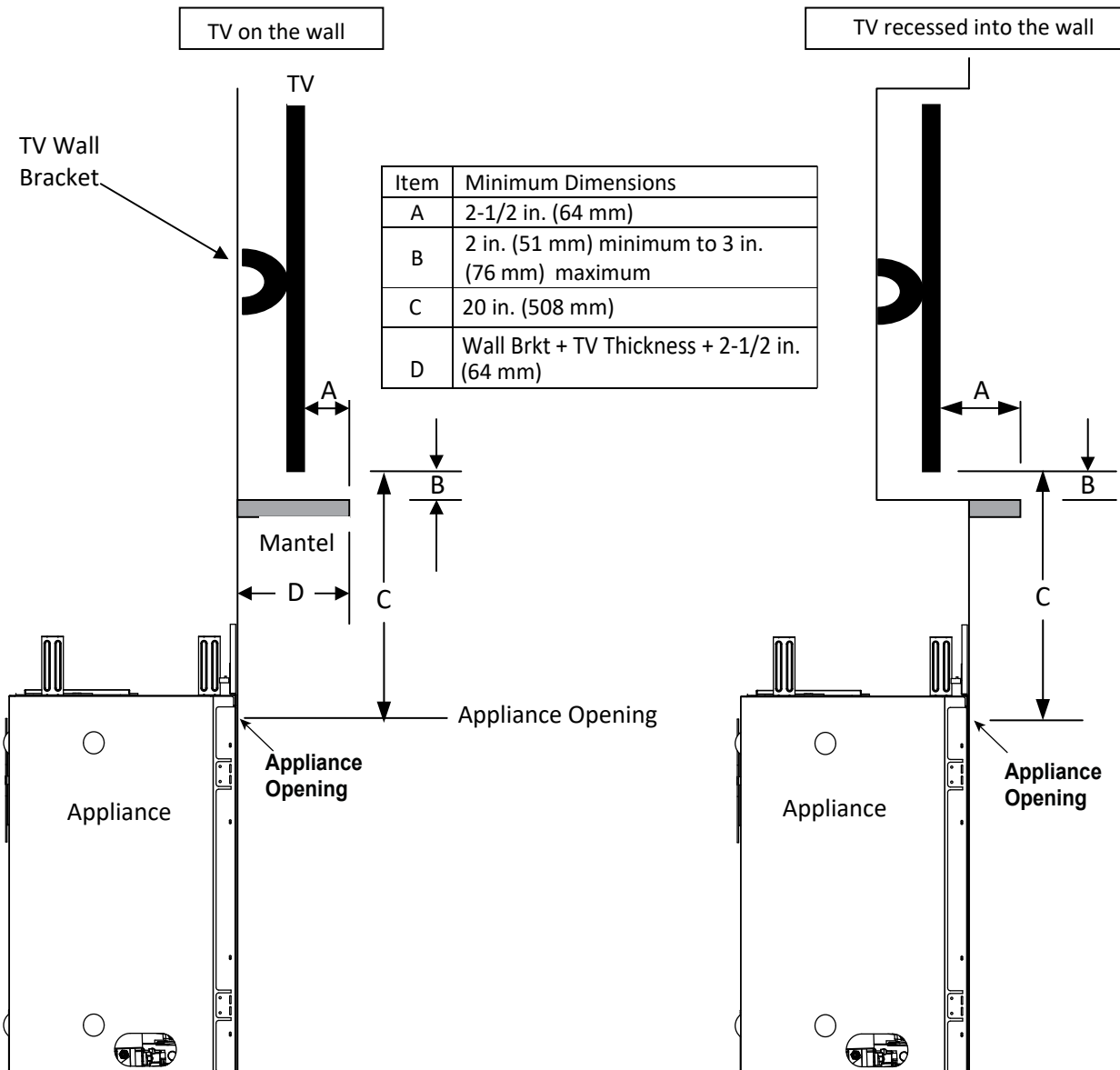


Figure 2.3 Good Faith Wall Surface Temperatures Above Appliance With Passive Heat Kit Installed

## Good Faith Guidelines for TV Installations Above Appliance (Passive Heat Not Installed)



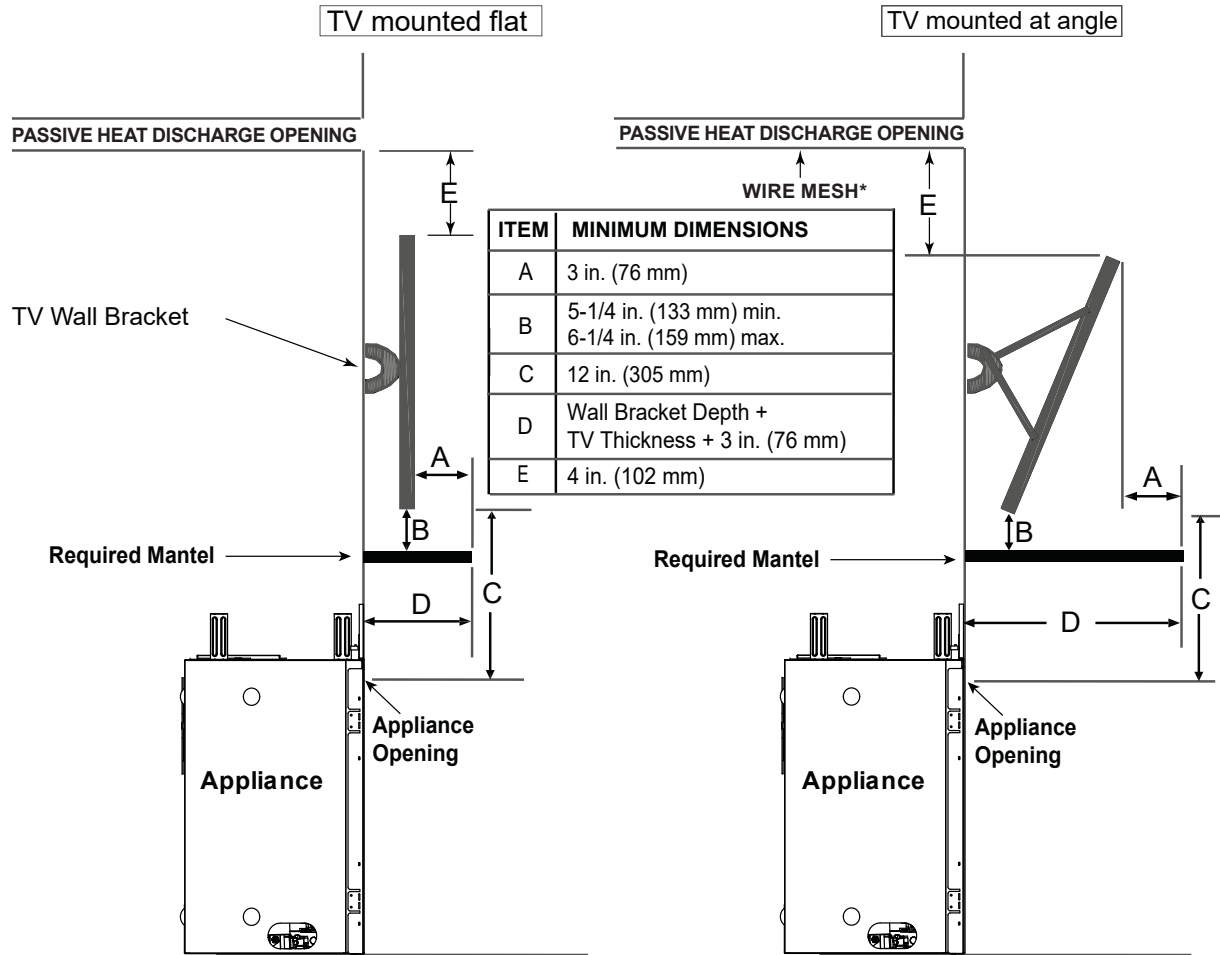
**Notes:**

1. These are good faith recommended clearances only and not a guarantee of compliance with all TV manufacturers' maximum allowable operating temperatures.
2. Since every home has unique air flow characteristics and maximum allowable operating temperatures can vary from manufacturer to manufacturer and from model to model, actual TV temperatures should be validated at the time of each installation. TVs should not be used in situations where the actual TV temperature exceeds the manufacturers' maximum allowable operating temperatures identified in the TV's technical specifications. Contact the TV's manufacturer directly if you cannot locate this information or have questions regarding the information.
3. Mantel height and depth must conform to mantel requirements specified in the appliance installation manual.
4. "C" dimension taken from the top of the hood or appliance opening to the bottom of the TV.
5. Suggestions on how to further reduce TV temperatures:
  - a. Increase "A" dimension.
  - b. Increase "C" dimension, however, increasing "B" dimension beyond maximum recommended typically results in higher temperatures.

**Figure 2.4 Good Faith TV Guidelines**

## Good Faith Guidelines for TV Installations Above a Fireplace with Passive Heat Option and a Factory-Installed Fan

**NOTICE:** A mantel is required when the Passive Heat option is installed. The combination of heat from the Passive Heat and the factory-installed fan could reduce the life expectancy of the TV if a mantel is not present.



\* Mesh screen required for front discharge or open top discharge passive heat installations with discharge opening of three inches or greater.

**NOTE:** The TV installation requirements are the same regardless of whether the Passive Heat kit is installed with a top discharge, side discharge or open top discharge.

"A" Dimension taken from the front of TV to front of the mantel.

"B" Dimension taken from the top of mantel to bottom of TV.

"C" Dimension taken from the top of the appliance opening to the bottom of the TV.

"D" Minimum mantel depth = Wall bracket thickness + TV thickness + 2-1/2 in. (64 mm).

"E" Dimension taken from the top of TV to bottom of discharge opening.

**Notes:**

1. These are good faith recommended clearances only and not a guarantee of compliance with all TV manufacturers' maximum allowable operating temperatures.
2. Since every home has unique air flow characteristics and maximum allowable operating temperatures can vary from manufacturer to manufacturer and from model to model, actual TV temperatures should be validated at the time of each installation. TVs should not be used in situations where the actual TV temperature exceeds the manufacturers' maximum allowable operating temperatures identified in the TV's technical specifications. Contact the TV's manufacturer directly if you cannot locate this information or have questions regarding the information.
3. Mantel height and depth must conform to mantel requirements specified in the appliance installation manual.
4. Suggestions on how to further reduce TV temperatures:
  - a. Increase "A" dimension.
  - b. Increase "C" dimension, however, increasing "B" dimension beyond maximum recommended typically results in higher temperatures.

**Figure 2.5 Good Faith Guidelines - Passive Heat Kit Installed**



### C. Tools and Supplies Needed

Before beginning the installation be sure that the following tools and building supplies are available.

- |  |  |
|--|--|
| Hand Tools   | Tape measure                           |
| Level  | Framing material                       |
| Manometer  | Framing square                         |
| Voltmeter  | Electric drill and bits (1/4 in. (6mm) |
| Plumb line   | Safety glasses/Gloves                  |
| Wrenches   | Reciprocating saw                      |
| 1/4 in. nut driver   | Elongated pressure taps                |
| Hammer   | Flathead screwdriver                   |
| Tin Snips  |  |
| Non-corrosive leak check solution                                      |  |
| 1/2 - 3/4 in. (13 -19 mm) length, #6 or #8 Self-drilling screws        |  |
| Stove cement / aluminum foil tape                                      |  |
| Caulking material (300 °F (149 °C) minimum continuous exposure rating) |  |

### D. Inspect Appliance and Components

**WARNING! Risk of Fire or Explosion! Damaged parts could impair safe operation. DO NOT install damaged, incomplete or substitute components. Keep appliance dry.**

**WARNING! Risk of Fire, Explosion or Electric Shock! DO NOT use this appliance if any part has been under water. Call a qualified service technician to inspect the appliance and to replace any part of the control system and/or gas control which has been under water.**

- Carefully remove the appliance and components from the packaging.
- The vent system components and decorative barrier fronts may be shipped in separate packages.
- If packaged separately, the log set must be installed.
- Report to your dealer any parts damaged in shipment.

Hearth & Home Technologies disclaims any responsibility for, and the warranty will be voided by, the following actions:

- Installation and use of any damaged appliance or vent system component.
- Modification of the appliance or vent system.
- Installation other than as instructed by Hearth & Home Technologies.
- Improper positioning of the logs/media (as applicable) or the glass assembly.
- Installation and/or use of any component part not approved by Hearth & Home Technologies.

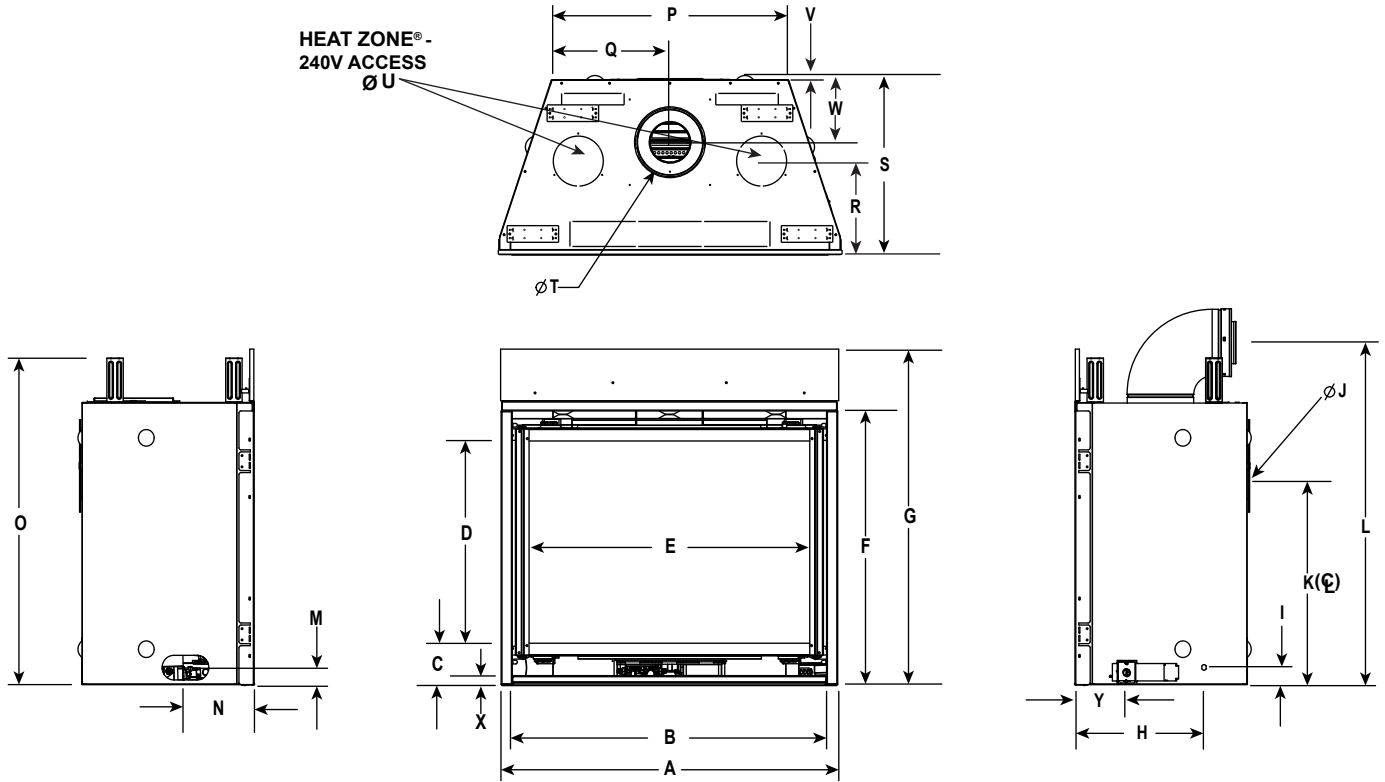
# 3 Framing and Clearances

## A. Appliance Weights and Dimensions

Dimensions are actual appliance dimensions. Use for reference only. For framing dimensions and clearances refer to Section 5.

Appliance Weight Table

Model	Pounds	Kilograms
6KX-AU	198	90



Location	Inches	Millimeters
A	41	1041
B	38-5/16	973
C	34-5/8	879
D	24-3/4	629
E	34-1/4	870
F	33-1/2	851
G	40-7/8	1038
H	16	406

Location	Inches	Millimeters
I	2-1/8	54
J	8-1/2	216
K	26-7/8	683
L	41-3/4	1060
M	14-1/4	362
N	8-1/2	216
O	39-13/16	1011
P	28-3/8	721

Location	Inches	Millimeters
Q	14-3/16	360
R	11-3/16	284
S	21-7/16	545
T	8-1/2	216
U	6	152
V	1/2	13
W	8	203
X	1-1/4	32
Y	6-3/8	162

→ Figure 3.1 Appliance Dimensions

## B. Decorative Barrier Front Dimension Diagrams

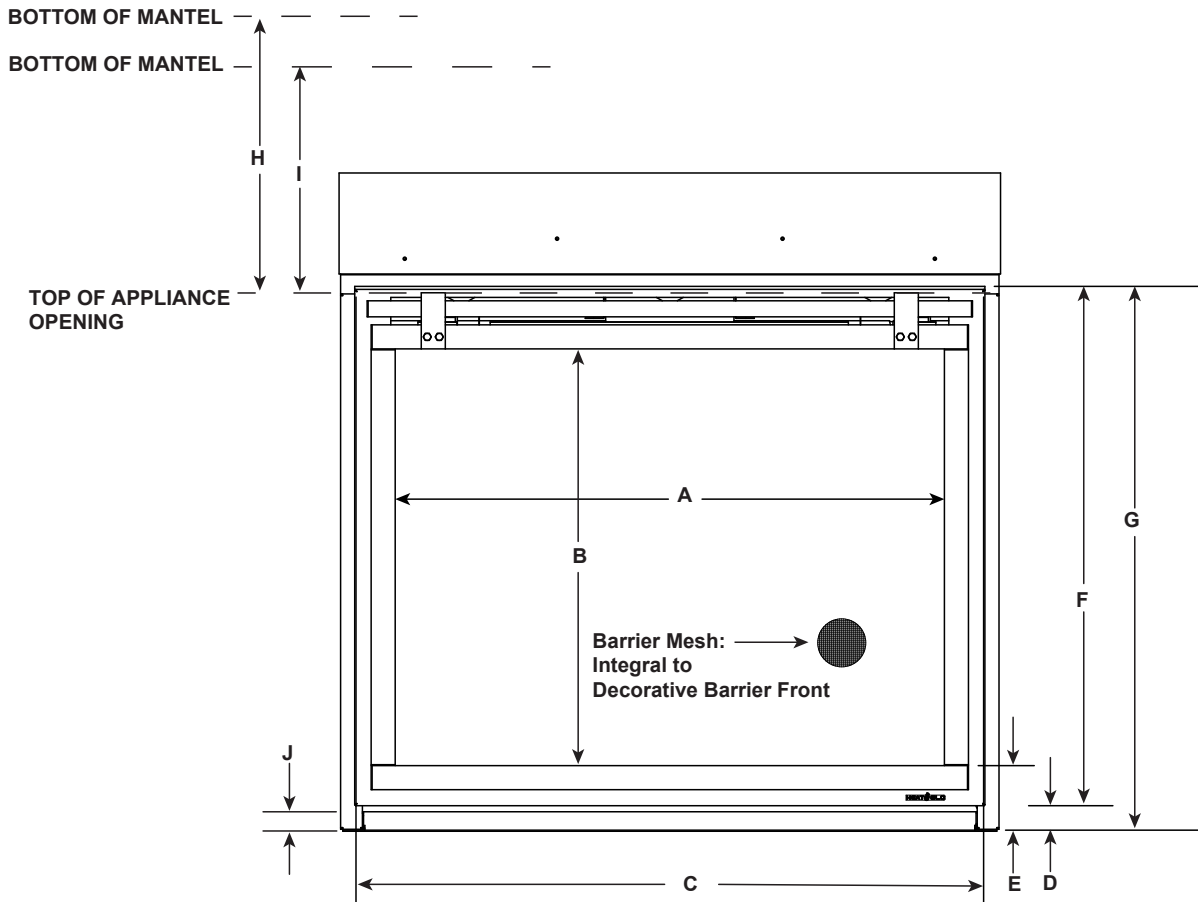
### LOFT DECORATIVE BARRIER FRONTS

**IMPORTANT!** This fireplace requires an installed decorative barrier front to prevent direct contact with the hot viewing glass. **DO NOT** operate the fireplace with the barrier removed.

Decorative barrier front must be ordered at time of fireplace purchase. If decorative barrier front is not present, contact dealer.

**WARNING! Risk of Overheating! DO NOT** install combustible or non-combustible flooring or hearth material above top of bottom surround. Gap between bottom of decorative front and top of bottom surround must be maintained for proper air flow.

**Note:** See Section 10 for hearth, mantel and finishing requirements, including complete information for combustible and non-combustible mantels.



			A	B	C	D	E	F	G
6	LOFT-6	in.	34-1/4	26	39-1/8	1-1/2	4	32-7/16	33-15/16
		mm	870	660	994	38	101	824	862

			H	I	J
			Minimum Combustible Mantel Height at 12 In. (305 mm) Mantel Depth (No Passive Heat)	Minimum Combustible Mantel Height at 12 In. (305 mm) Mantel Depth with Passive Heat Installed	
6	LOFT-6	in.	19	6	1-1/8
		mm	483	152	29

Figure 3.2 Decorative Barrier Front Dimensions - LOFT

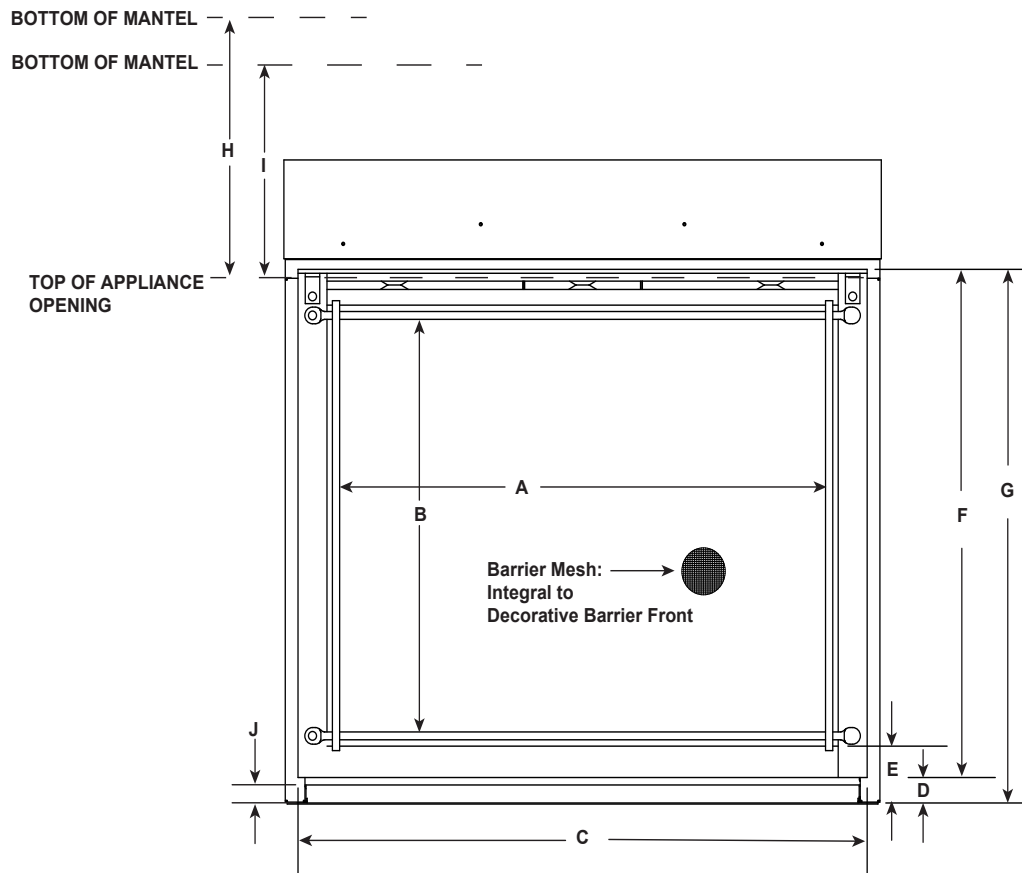
# FORGE DECORATIVE BARRIER FRONTS

**IMPORTANT!** This fireplace requires an installed decorative barrier front to prevent direct contact with the hot viewing glass. **DO NOT** operate the fireplace with the barrier removed.

Decorative barrier front must be ordered at time of fireplace purchase. If decorative barrier front is not present, contact dealer.

**WARNING! Risk of Overheating!** **DO NOT** install combustible or non-combustible flooring or hearth material above top of bottom surround. Gap between bottom of decorative front and top of bottom surround must be maintained for proper air flow.

**Note:** See Section 10 for hearth, mantel and finishing requirements, including complete information for combustible and non-combustible mantels.



		A	B	C	D	E	F	G	
6	FORGE-6	in.	33-9/16	26-5/16	39-5/16	1-5/8	3-5/8	32-7/16	34
		mm	853	668	999	41	92	824	864

		H	I	J	
		Minimum Combustible Mantel Height at 12 In. (305 mm) Mantel Depth (No Passive Heat)	Minimum Combustible Mantel Height at 12 In. (305 mm) Mantel Depth with Passive Heat Installed		
6	FORGE-6	in.	19	6	1-1/8
		mm	483	152	29

Figure 3.3 Decorative Barrier Front Dimensions - FORGE

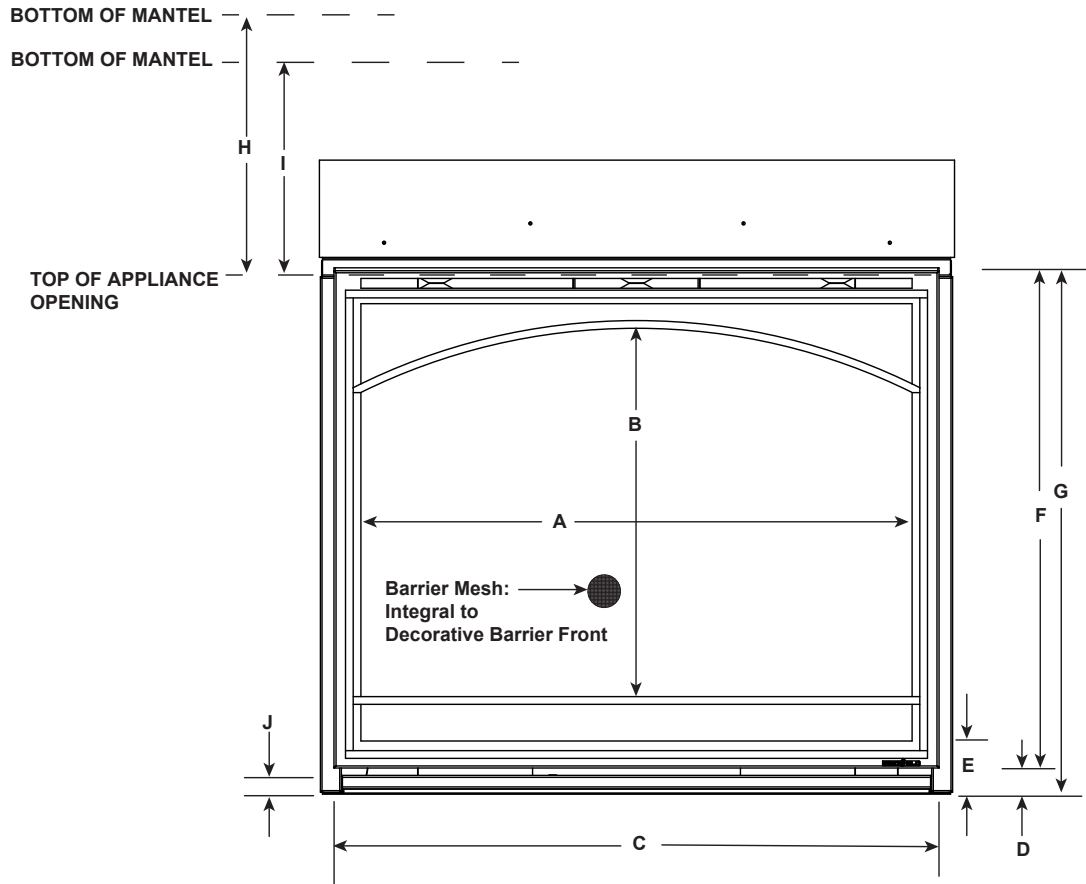
# CHAPEL DECORATIVE BARRIER FRONTS

**IMPORTANT!** This fireplace requires an installed decorative barrier front to prevent direct contact with the hot viewing glass. **DO NOT** operate the fireplace with the barrier removed.

Decorative barrier front must be ordered at time of fireplace purchase. If decorative barrier front is not present, contact dealer.

**WARNING! Risk of Overheating! DO NOT** install combustible or non-combustible flooring or hearth material above top of bottom surround. Gap between bottom of decorative front and top of bottom surround must be maintained for proper air flow.

**Note:** See Section 10 for hearth, mantel and finishing requirements, including complete information for combustible and non-combustible mantels.



		A	B	C	D	E	F	G	
6	CHAPEL-6	in.	35-13/16	23-7/8	39-5/16	1-1/2	3-1/4	32-7/16	33-15/16
		mm	910	606	999	38	83	824	862

		H	I	J
		Minimum Combustible Mantel Height at 12 In. (305 mm) Mantel Depth (No Passive Heat)	Minimum Combustible Mantel Height at 12 In. (305 mm) Mantel Depth with Passive Heat Installed	
6	CHAPEL-6	in.	19	1-1/8
		mm	483	29

Figure 3.4 Decorative Barrier Front Dimensions - CHAPEL

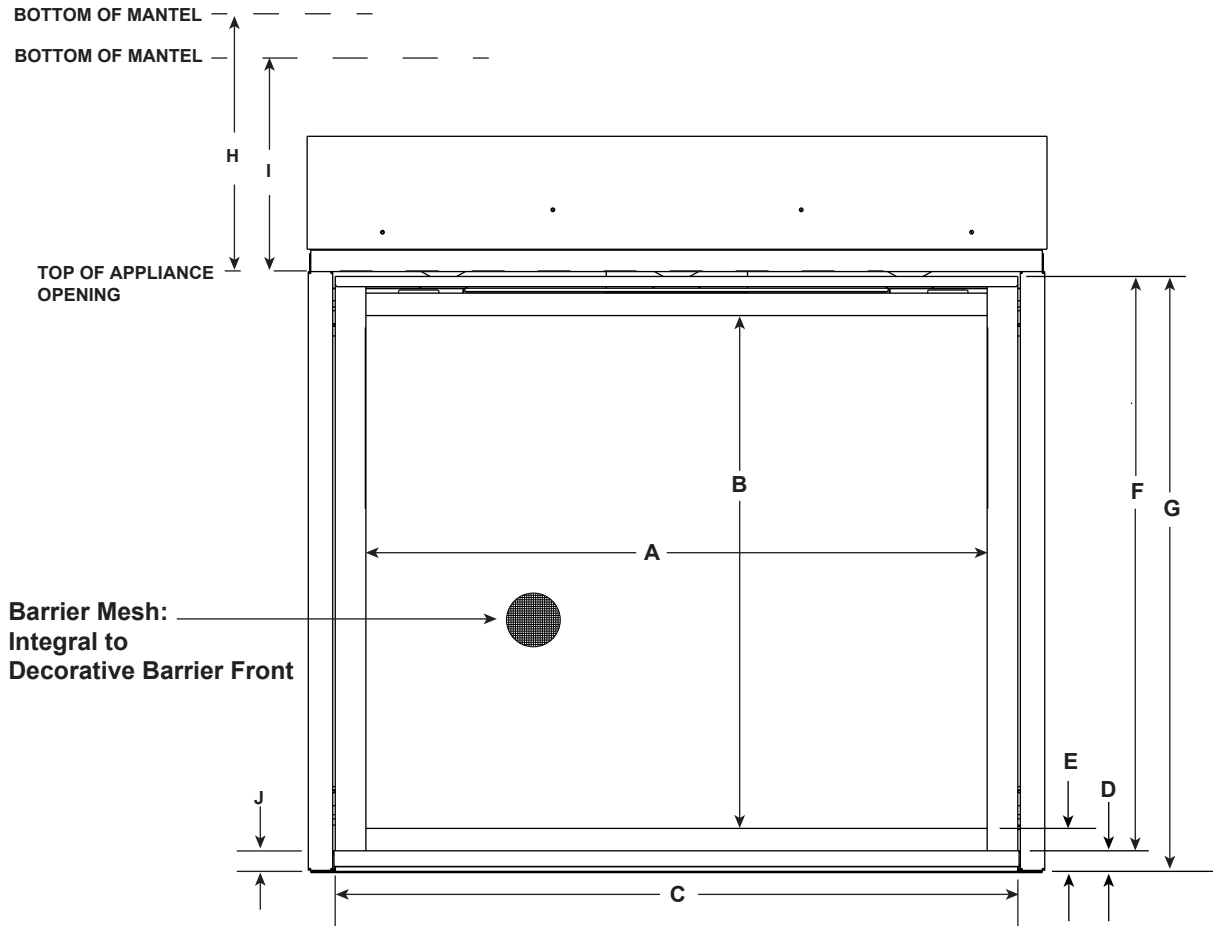
# FOLIO DECORATIVE BARRIER FRONTS

**IMPORTANT!** This fireplace requires an installed decorative barrier front to prevent direct contact with the hot viewing glass. **DO NOT** operate the fireplace with the barrier removed.

Decorative barrier front must be ordered at time of fireplace purchase. If decorative barrier front is not present, contact dealer.

**WARNING! Risk of Overheating!** **DO NOT** install combustible or non-combustible flooring or hearth material above top of bottom surround. Gap between bottom of decorative front and top of bottom surround must be maintained for proper air flow.

**Note:** See Section 10 for hearth, mantel and finishing requirements, including complete information for combustible and non-combustible mantels.



			A	B	C	D	E	F	G
6	FOLIO-6	in.	34-11/16	28-11/16	38	1-1/8	2-3/8	32	33-3/16
		mm	881	729	965	29	60	813	843

			H	I	J
			Minimum Combustible Mantel Height at 12 In. (305 mm) Mantel Depth (No Passive Heat)	Minimum Combustible Mantel Height at 12 In. (305 mm) Mantel Depth with Passive Heat Installed	
6	FOLIO-6	in.	19	6	1-1/8
		mm	483	152	29

Figure 3.5 Decorative Barrier Front Dimensions - FOLIO

### C. Appliance Location and Clearances to Combustibles

**WARNING! Risk of Fire or Burns!** Provide adequate clearance around air openings and for service access. Due to high temperatures, the appliance should be located out of traffic and away from furniture and draperies.

When selecting a location for the appliance it is important to consider the required clearances to walls and allow sufficient clearance for heat management systems venting. Refer to Figure 3.6 and Figure 3.7 for Heat-Zone-240V.

Refer to Figures 3.11-3.13 for information regarding framing when the Passive Heat Kit is installed. Install the Passive Heat Kit per the instructions provided with the kit.

**NOTICE:** Illustrations reflect typical installations and are FOR DESIGN PURPOSES ONLY. Illustrations/diagrams are not drawn to scale. Actual installation may vary due to individual design preference.

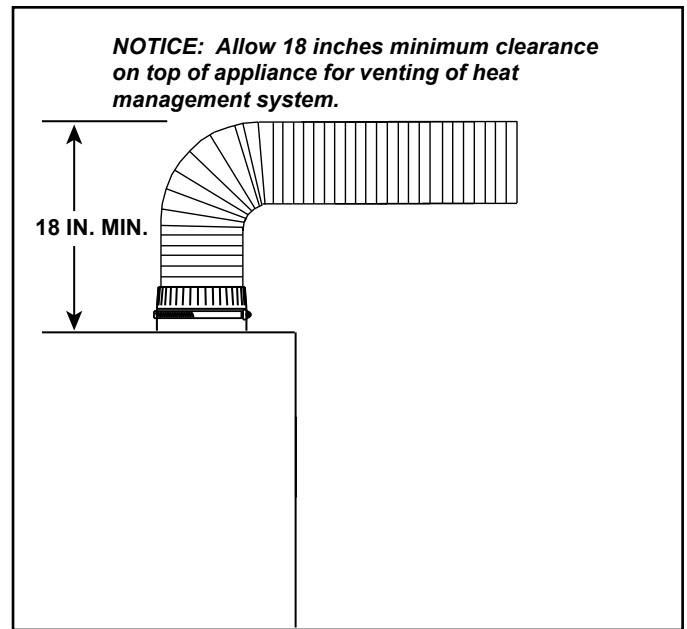


Figure 3.6 Clearance for Heat Management System

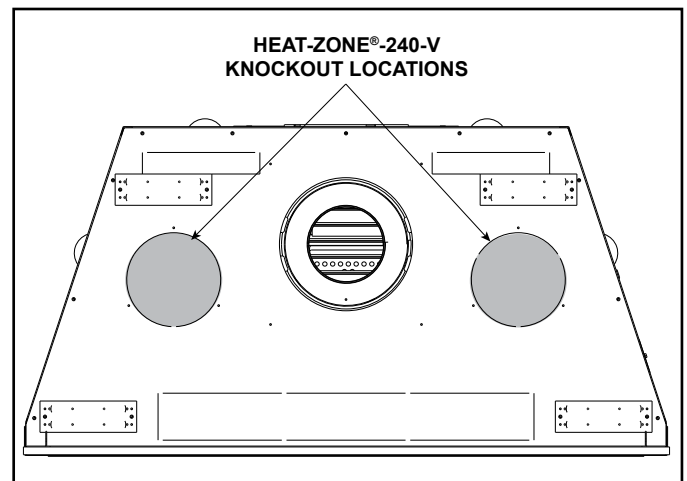
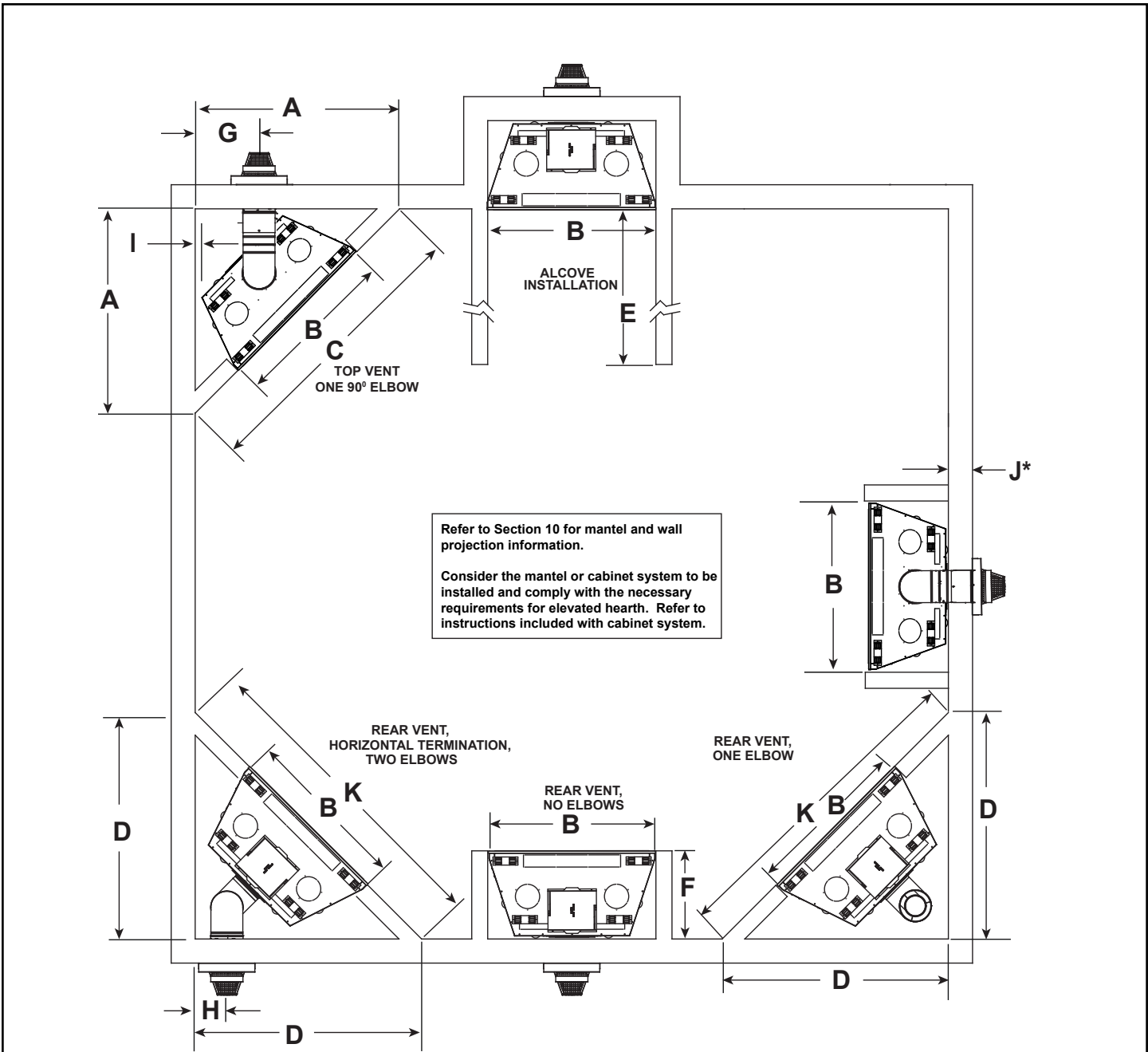


Figure 3.7 Heat Management Knockout Locations



J\* = When exterior wall is constructed from 2 x 4 material, a termination cap with effective length equal to the DVP-TRAP1 is required. See Figure 3.10.

		A	B	C	D	E	F	G	H	I	J*	K
6KX-AU	IN.	51	42	72	56-5/8	See Section 10 Mantel Projections	22	17-3/4	8	1/2	For terminations through a 2 x 4 wall, see Figure 3.10.	80-1/8
	mm	1295	1067	1829	1438		559	451	203	13		2035

Figure 3.8 Appliance Locations



## Top Vent DVP-TRAP1 Exception

For installations that are top vented and horizontally terminated with a 90 degree elbow directly off the appliance and minimum vent run, a termination cap with effective length equal to the DVP-TRAP1 is **REQUIRED**. Interior and exterior wall sheathing 1/2 inch thick and 2 X 4 exterior wall studs are also assumed for this scenario.

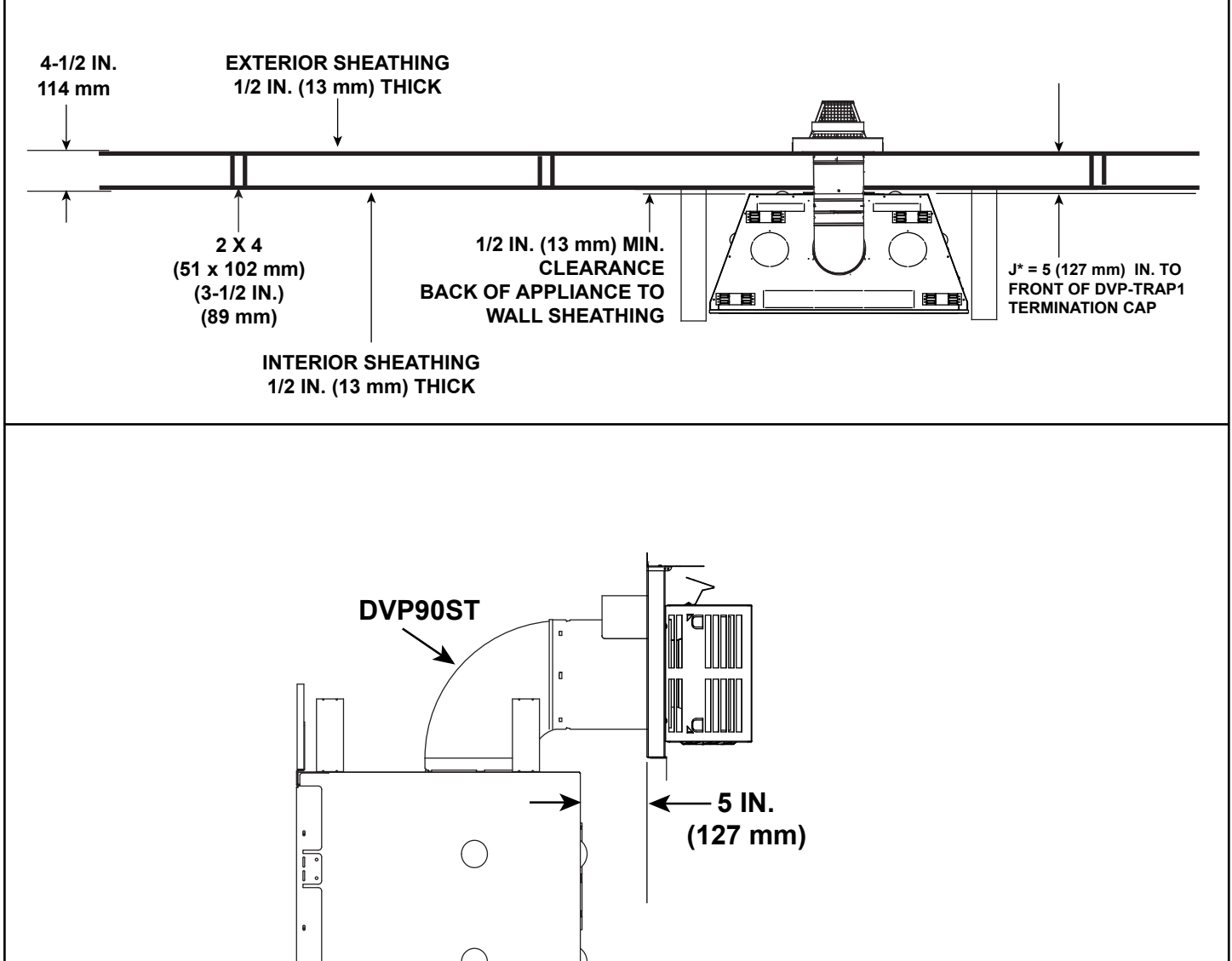
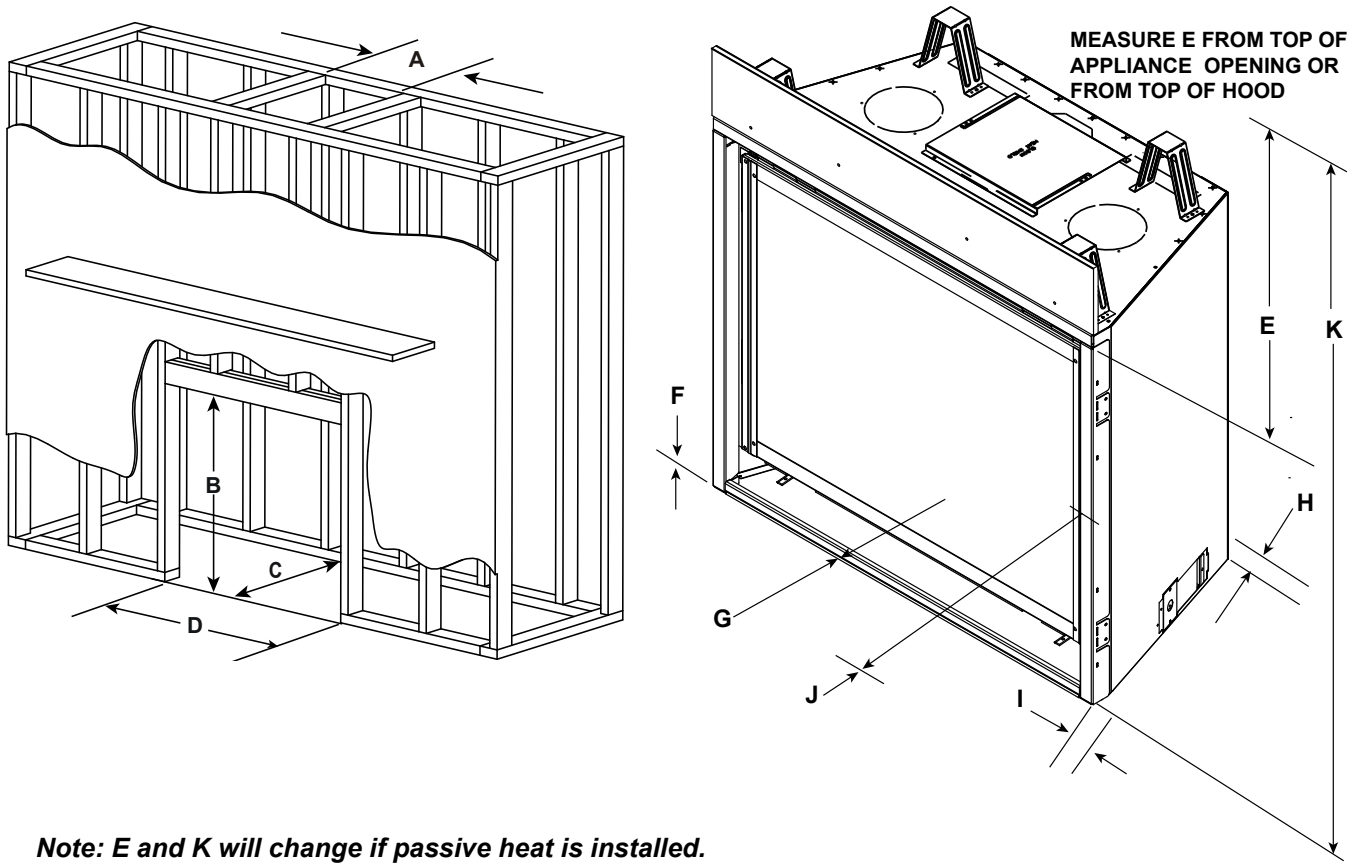


Figure 3.9 DVP-TRAP1 Exception (2 x 4 (51 x 102 mm) Construction)



**Note: E and K will change if passive heat is installed.**

		<b>* MINIMUM FRAMING DIMENSIONS</b>							
		<b>A</b>	<b>B</b>	<b>C**</b>	<b>D</b>	<b>E</b>	<b>F</b>	<b>G***</b>	<b>H</b>
		Rough Opening (Vent Pipe)	Rough Opening (Height)	Rough Opening (Depth)	Rough Opening (Width)	Clearance to Room Ceiling	Combustible Floor	Minimum Hearth Required	Behind Appliance
6KX-AU	Inches	10	40-1/8	22	42	32	0	0	1/2
	Millimeters	254	1019	559	1067	813	0	0	13

		<b>* MINIMUM FRAMING DIMENSIONS</b>		
		<b>I</b>	<b>J</b>	<b>K</b>
		Sides of Appliance	Front of Appliance	Clearance to Room Ceiling
6KX-AU	Inches	1/2	36	83-1/2
	Millimeters	13	914	2121

\* Adjust framing dimensions for interior chase sheathing (such as sheetrock)

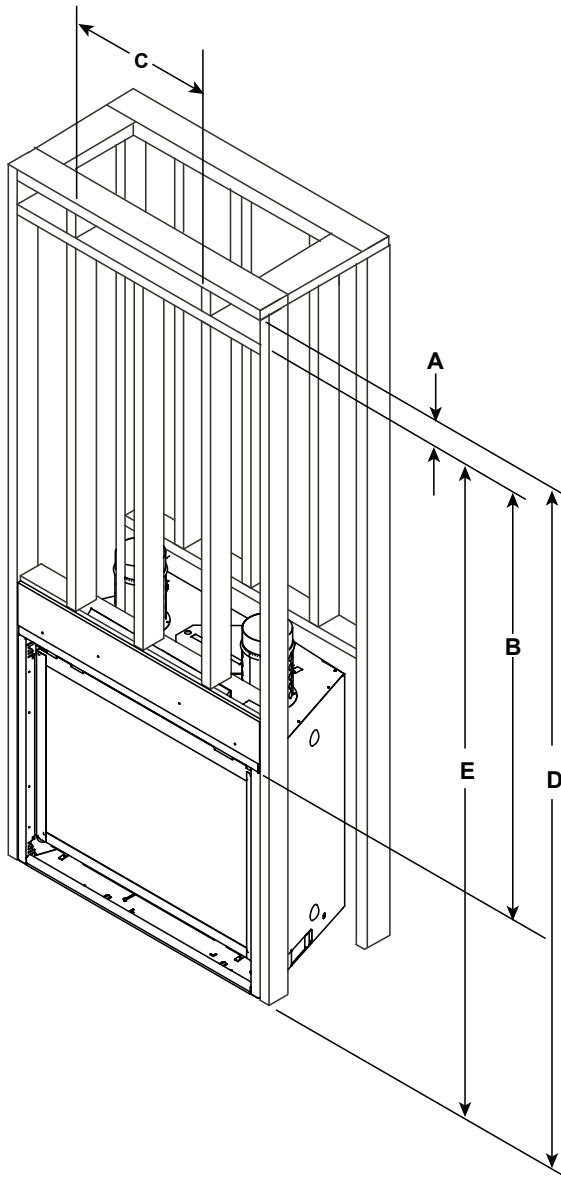
C\*\* Add 12 in. (305 mm) for rear venting with one 90 degree elbow.

G\*\*\* For installations with vinyl flooring, see Section 3.E.

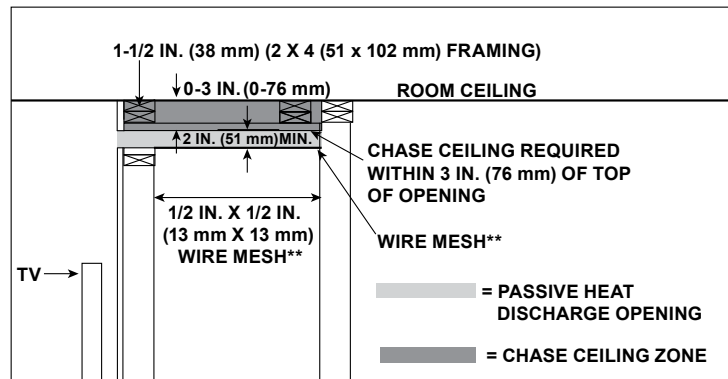
**Figure 3.10 Clearances to Combustibles**

## Framing Dimensions- Passive Heat Front Discharge (PH-MR)

Front Discharge: Air conveyed into the room through one front discharge slot.



### CHASE DETAIL



**WARNING! Risk of Fire!** Wire mesh required on bottom of discharge opening (Dimension A) when finished discharge opening is greater than 3 in. (76 mm). Secure mesh to top of framing.

### FRONT DISCHARGE MINIMUM FRAMING DIMENSIONS

		A		B	C	D	E
		TRIM KIT* INSTALLED	NO TRIM KIT**				
		Required Height of Discharge Opening	Height of Discharge Opening				
6KX-AU	Inches	3-1/2	2	41	36-1/2	78	76
	millimeters	89	51	1041	927	1981	1930

\* Measurement for Trim Kit = 3-1/2 in. (89 mm) + Additional Finishing Material Thickness.

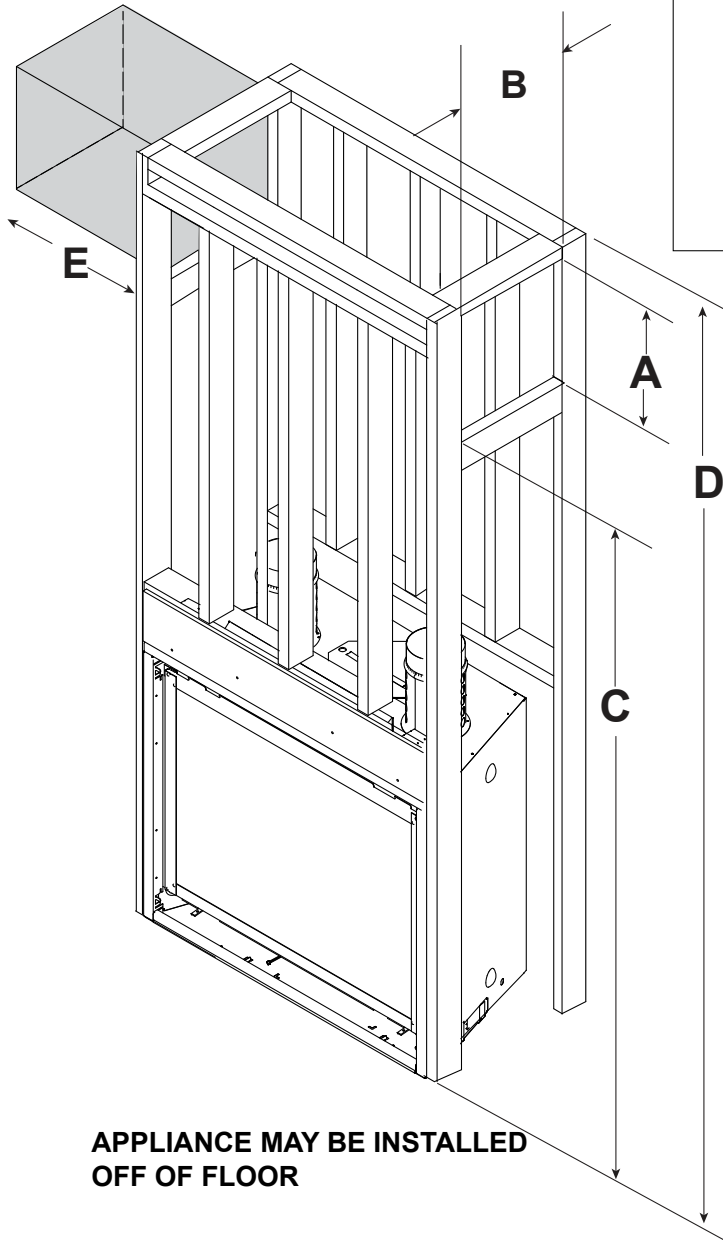
\*\* Measurement without Trim Kit = 2 in. (51 mm) + Additional Finishing Material Thickness. If finished discharge opening height is greater than 3 in. (76 mm), wire mesh is required.

Figure 3.11 Passive Heat Front Discharge Framing Dimensions With and Without a Trim Kit

## Framing Dimensions - Passive Heat Side Discharge (PH-MR)

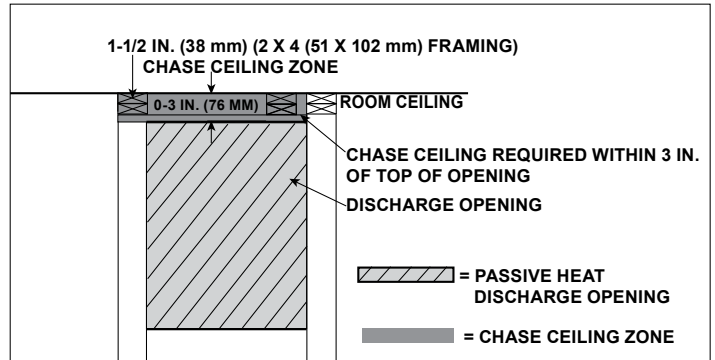
**Side Discharge:** Air conveyed into the room through two discharge registers, one on each side of appliance.

**WARNING! Risk of Fire! DO NOT** place combustible objects or combustible materials in non-combustible zone. Appliance and combustible materials will overheat.



**APPLIANCE MAY BE INSTALLED OFF OF FLOOR**

### CHASE DETAIL



### SIDE DISCHARGE FRAMING DIMENSIONS

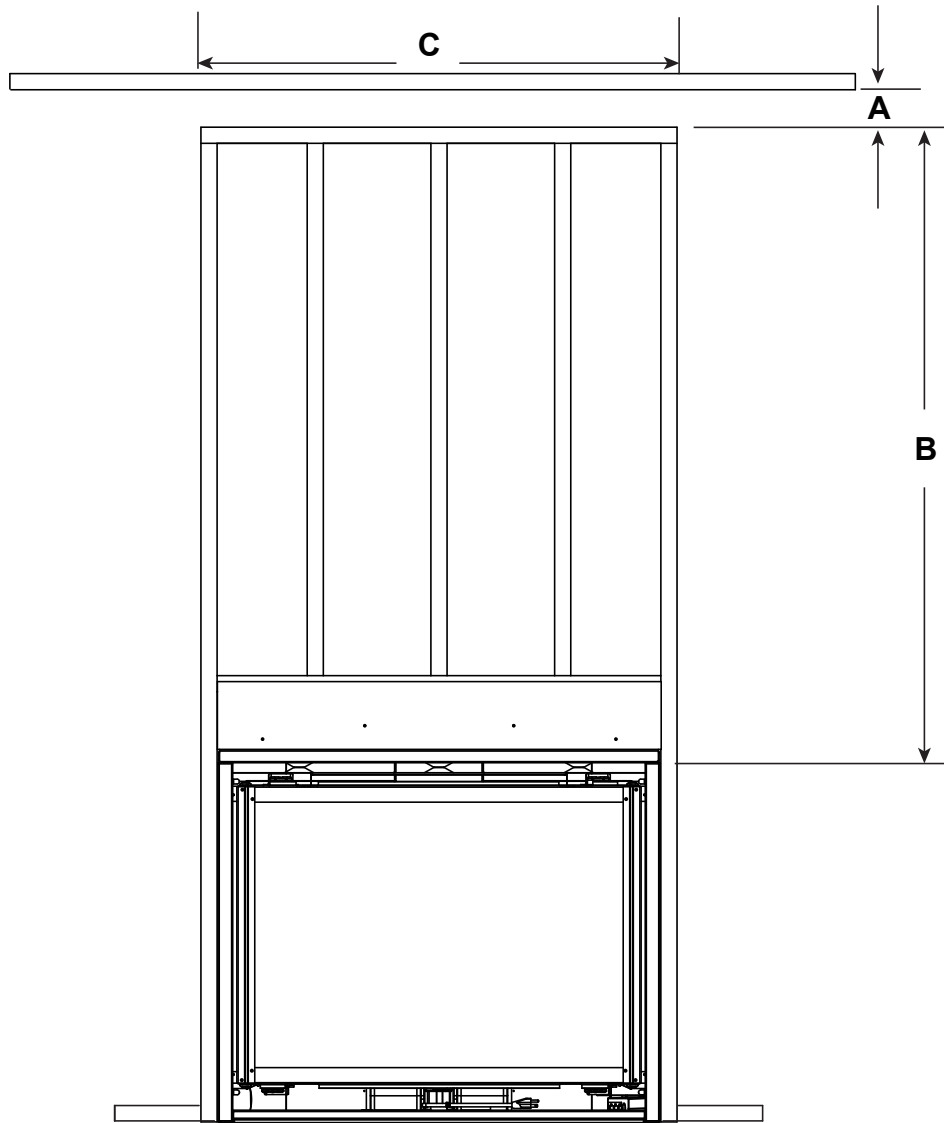
		A	B	C	D	E
		Height of Discharge Opening	Width of Discharge Opening	Minimum Clearance to Discharge Opening From Bottom of Appliance	Minimum Clearance to Ceiling from Bottom of Appliance	Minimum Clearance to Combustible Materials
6KX-AU	Inches	12-1/4	8-3/4	68-1/4	83-1/2	18
	millimeters	311	222	1734	2121	457

Figure 3.12 Passive Heat Side Discharge Framing Dimensions

## Framing Dimensions - Passive Heat Open Top Discharge (PH-MR)

**Open Top Discharge: Both sides and the top are open allowing air to be conveyed into the room.**

**WARNING! Risk of Fire!** Mesh screen required on bottom of discharge opening when discharge opening is greater than 3 in. (76 mm). Secure mesh to top of framing.



**OPEN TOP DISCHARGE MINIMUM FRAMING DIMENSIONS**

		<b>A*</b>	<b>B</b>	<b>C</b>
		Height of Discharge Opening	Clearance to Discharge Opening	Width of Discharge Opening
6KX-AU	Inches	2	41	36-1/2
	millimeters	51	1041	927

\* Mesh screen required for front discharge or open top discharge passive heat installations with discharge opening of 3 inches or greater.

**Figure 3.13 Passive Heat Minimum Framing Dimensions Open Top Discharge**

## D. Constructing the Appliance Chase

**NOTICE:** Install appliance on hard metal or wood surfaces extending full width and depth. **DO NOT** install directly on carpeting, vinyl, or any combustible material other than wood.

**WARNING! Risk of Fire!** Maintain specified air space clearances to appliance and vent pipe:

- Insulation and other materials must be secured to prevent accidental contact.
- The chase must be properly blocked to prevent blown insulation or other combustibles from entering and making contact with fireplace or chimney.
- Failure to maintain airspace may cause overheating and a fire.

A chase is a vertical box-like structure built to enclose the gas appliance and/or its vent system. In cooler climates the vent should be enclosed inside the chase.

**NOTICE:** Treatment of ceiling firestops and wall shield firestops and construction of the chase may vary with the type of building. These instructions are not substitutes for the requirements of local building codes. Therefore, you **MUST** check local building codes to determine the requirements to these steps.

**NOTICE:** Where required by code, install only sprinkler heads with a sprinkler activation temperature classified as **Extra High**.

- Sprinklers inside of chase: Keep sprinkler head away from vent and chimney.
- Heat Management applications: Maintain 36 inches (914 mm) of clearance to openings from which heat is discharged such as convection slots, passive heat registers, heat zone registers, etc. Refer to Section 6.B for Heat Management options allowed for this appliance.

Chases should be constructed and insulated in the same manner as the thermal envelope of the home based on the code requirements for that climate zone to prevent air leakage and draft problems. The chase is an extension of the building thermal envelope.

To further prevent drafts and air leakage, the wall shield and ceiling firestops should be sealed with caulk with a minimum of 300 °F (149 °C) continuous exposure rating to seal gaps. Gas line holes and other openings should be sealed with caulk with a minimum of 300 °F (149 °C) continuous exposure rating or stuffed with unfaced insulation. If the appliance is being installed on a cement surface, a layer of plywood may be placed underneath to prevent conducting cold up into the room.

Minimum height requirements for an exterior chase on a top-vented appliance are shown in Figure 3.14. Reference Figure 4.5 for additional clearances.

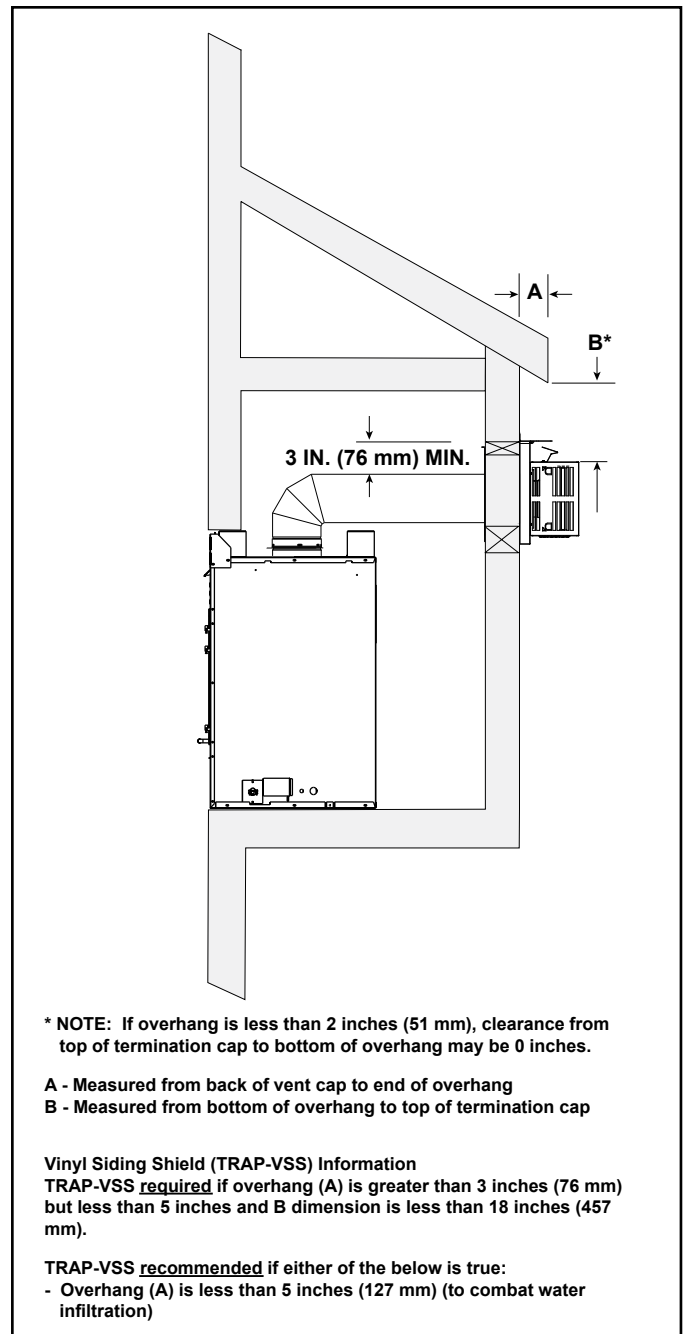


Figure 3.14 Exterior Chase - Minimum Height Requirements

## E. Floor Protection

### Vinyl Flooring

Vinyl flooring is sensitive to heat. To avoid damage to the vinyl flooring, a 12 in (305 mm) minimum x 12 in (305 mm) minimum hearth is recommended when using vinyl flooring up to the wall. See Figure 3.15. If no hearth is used, it is recommended to provide a minimum of 30 in (762 mm) inches of clearance in front of the appliance to the vinyl flooring OR the bottom of the appliance should be raised a minimum of 24 in (610 mm) off of the floor to allow the vinyl flooring to be installed up to the wall.

**NOTICE:** Clearances that do not meet the minimum guidelines could result in damage or buckling to the vinyl flooring and is done at the installer's risk.

Hearth and Home Technologies does not recommend adhesive based vinyl flooring products due to thermal expansion during operation. Floating style flooring can be used, but will reach temperatures up to 110 °F (43 °C) (based on ambient temperature of 70 °F (21 °C)). Consult the manufacturer's flooring specifications to ensure compatibility.

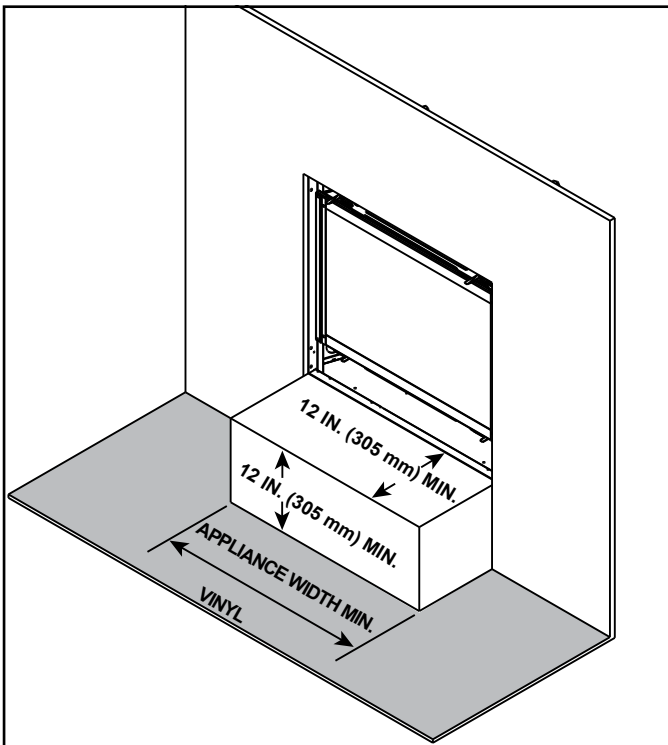


Figure 3.15 Vinyl Flooring Recommendations

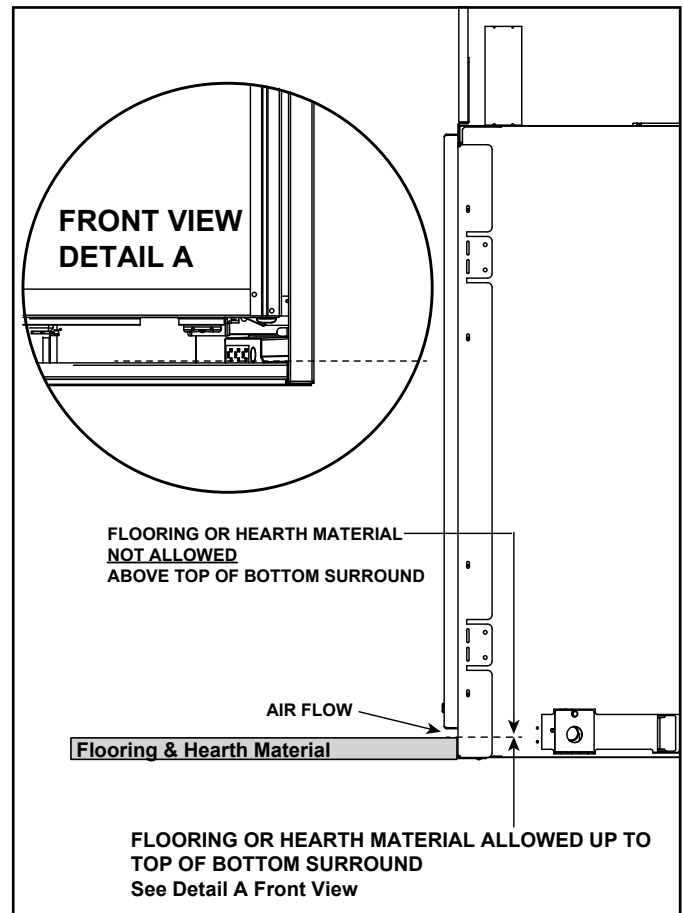


Figure 3.16 Flooring & Hearth Material Allowed

# 4 Termination Location and Vent Information

## A. Approved Pipe

**WARNING! Risk of Fire, Delayed Ignition or Asphyxiation.** This appliance requires a separate vent. **DO NOT** vent to a pipe serving any other appliance.

This appliance is only approved for use with Hearth & Home Technologies DVP venting systems. Refer to Section 12.A for vent component information and dimensions. Only use listed decorative termination caps/shrouds with Hearth & Home Technologies approved venting systems. **DO NOT** mix pipe, fittings or joining methods from different manufacturers.

The pipe is tested to be run inside an enclosed wall. There is no requirement for inspection openings at each joint within the wall.

## B. Vent Termination Minimum Clearances

**⚠ WARNING**

**Fire Risk.**

Maintain vent clearance to combustibles as specified.

- DO NOT** pack air space with insulation or other materials.

Failure to keep insulation or other materials away from vent pipe could cause overheating and fire.

Roof Pitch	H (Min.) Ft
Flat to 26.6°	500*
Over 26.6° to 30.3°	500*
Over 30.3° to 33.7°	500*
Over 33.7° to 36.9°	610*
Over 36.9° to 39.8°	760*
Over 39.8° to 42.5°	990
Over 42.5° to 45.0°	1220
Over 45.0° to 49.4°	1520
Over 49.4° to 53.1°	1830
Over 53.1° to 56.3°	2130
Over 56.3° to 59.0°	2290
59.0° to 60.3°	2440

\* H minimum may vary depending on regional snowfall. Refer to local codes.

**Figure 4.1 Minimum Height From Roof to Lowest Discharge Opening**



## B. Vent Termination Minimum Clearances (continued)

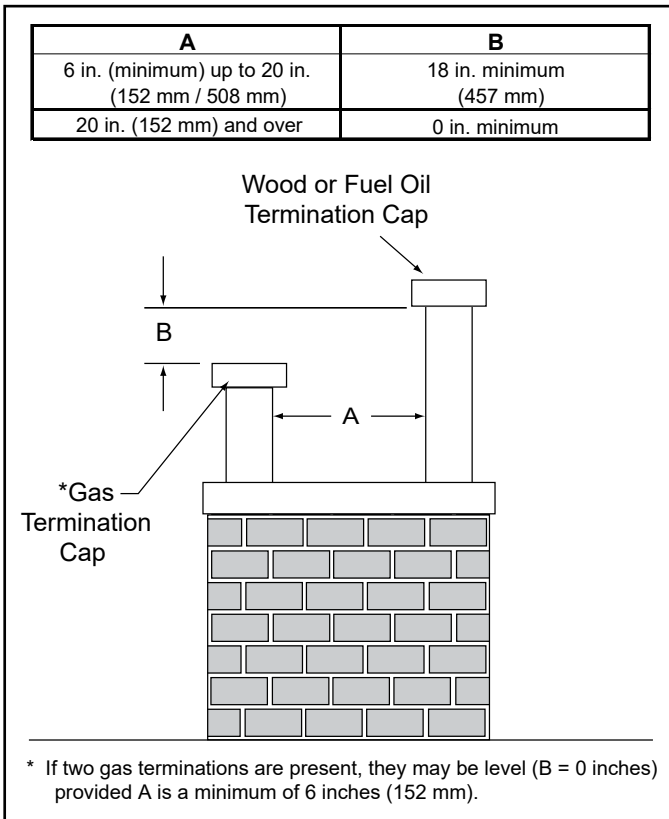


Figure 4.2 Staggered Termination Caps

**CAUTION! Risk of Burns!** Termination caps are HOT, consider proximity to doors, traffic areas or where people may pass or gather (sidewalk, deck, patio, etc.). Listed cap shields available. Contact your dealer.

- Local codes or regulations may require different clearances.
- Hearth & Home Technologies assumes no responsibility for the improper performance of the appliance when the venting system does not meet these requirements.
- Vinyl protection kits are suggested for use with vinyl siding.
- Measure horizontal and vertical termination cap clearances as noted in Figure 4.3 and 4.4.

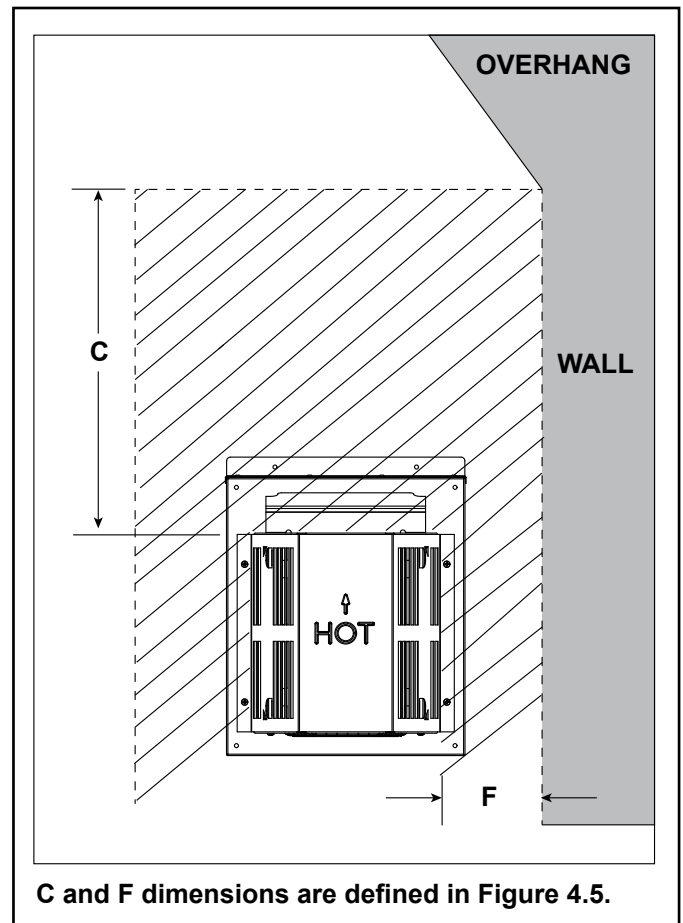


Figure 4.4 Measure Horizontal and Vertical Termination Clearance to Trapezoid Portion of Cap

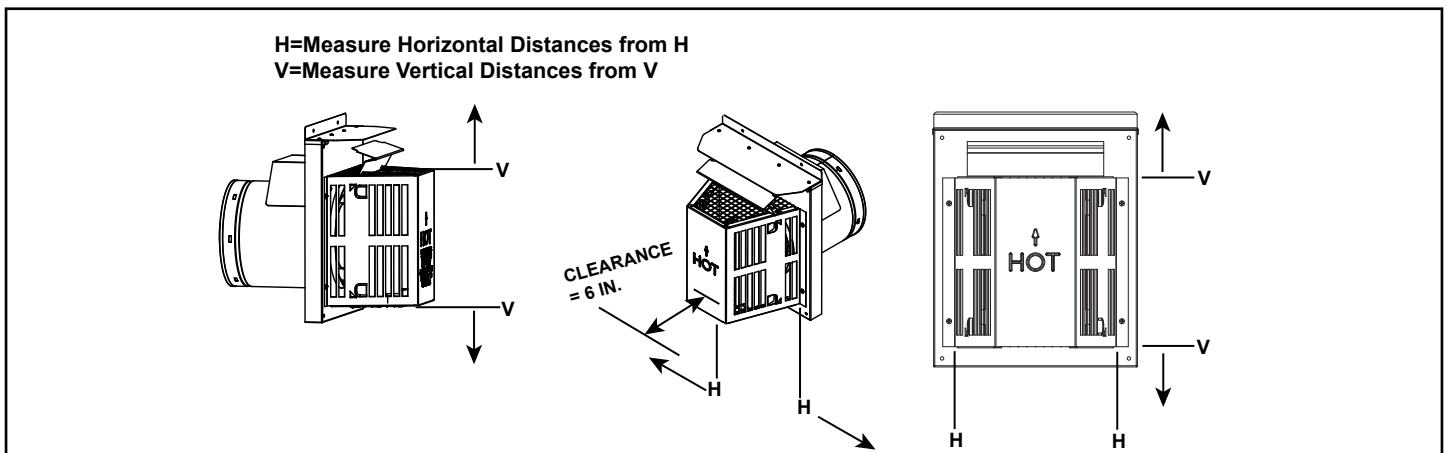
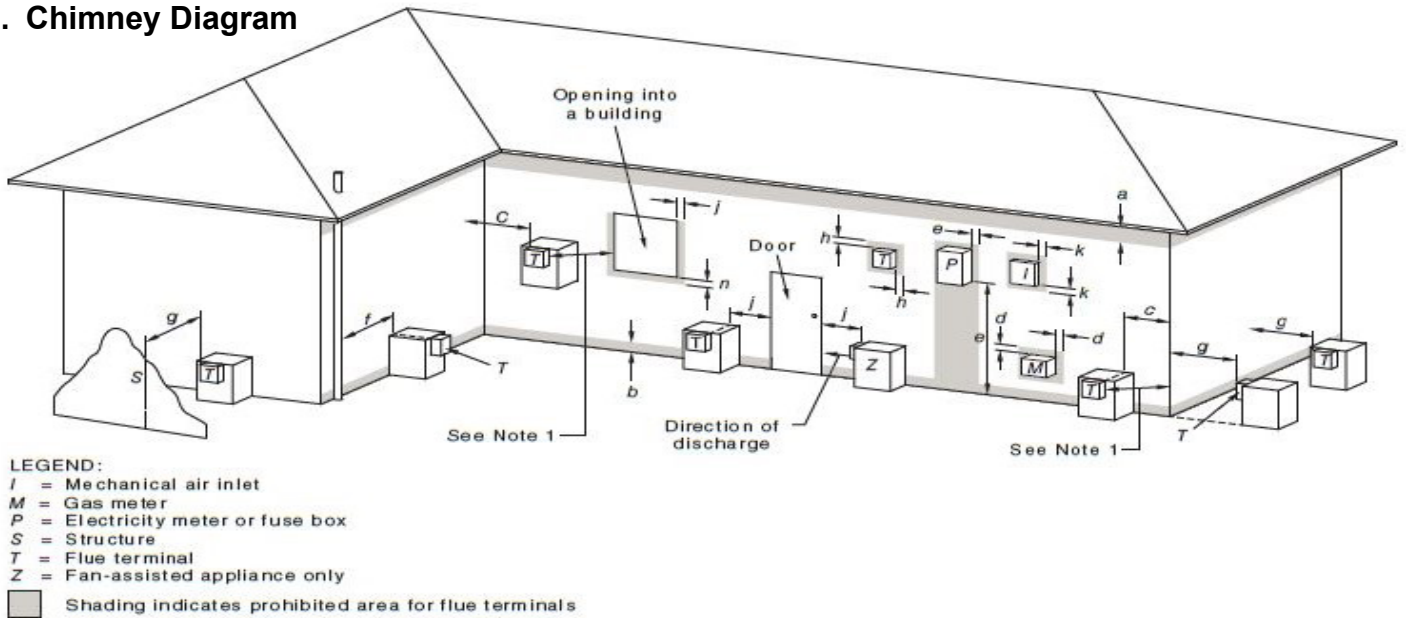


Figure 4.3

## C. Chimney Diagram



Ref.	Item	Minimum Clearance (mm)	
		Natural Draft	Fan Assisted
a	Below eaves, balconies or other projections		
	Appliances up to 50 MJ/h input	300	200
	Appliances over to 50 MJ/h input	500	300
b	From the ground or above a balcony		
	Appliances 32 MJ/h and below	300	355
	Appliances from 32 MJ/h to 53 MJ/h	300	410
	Appliances 53 MJ/h and above	300	460
c	From a return wall or external corner	500	300
d	From a gas meter (M)	1000	1000
e	From an electricity meter or fuse box (P)	500	500
f	From a drain or soil pipe	150	75
g	Horizontally from any building structure (unless appliance approved for closer installation) or obstruction facing a terminal	500	500
h	From any other flue terminal, cowl, or combustion air intake	500	300
j	Horizontally from an openable window, door, non-mechanical air inlet, or any other opening into a building, with the exception of sub-floor ventilation		
	Appliances up to 150 MJ/h input	500	300
	All fan assisted appliances in the direction of discharge	-	1500
k	From a mechanical air inlet, including a spa fan	1500	1000
n	Vertically below an openable window, non-mechanical air inlet or any other opening into a building, with the exception of See table sub-floor ventilation		
	For space heaters up to 50 MJ/h input	150	150
	For other appliances up to 50 MJ/h input	500	500
	For appliances over 50 MJ/h input and up to 150 MJ/h	1000	1000
	For appliances over 150 MJ/h input	1500	1500

- NOTES:**
- All distances are measured vertically or horizontally along the wall to a point in line with the nearest part of the terminal.
  - Prohibited area below electricity meter or fuse box extends to ground level.
  - Flue terminal under covered area:
    - The covered area or recess shall be open on at least two sides.
    - Fan assisted flue appliance shall have at least one side open and the terminal shall be within 500 mm of the opening and discharging in the direction of the opening.
  - Clearance from a flue terminal to a LP cylinder shall be a minimum of 1 meter.

### MINIMUM CLEARANCES REQUIRED FOR BALANCED FLUE TERMINALS OR THE FLUE TERMINALS OF OUTDOOR APPLIANCES

Figure 4.5 Minimum Clearances for Termination

## D. Use of Elbows

Diagonal runs have both vertical and horizontal vent aspects when calculating the effects. Use the rise for the vertical aspect and the run for the horizontal aspect. See Figure 4.6.

Two 45° elbows may be used in place of one 90° elbow. On 45° runs, one foot of diagonal is equal to 8-1/2 inch (216 mm) horizontal run and 8-1/2 inch (216 mm) vertical run. A length of straight pipe is allowed between two 45° elbows. See Figure 4.6.

Figure 4.7 shows the vertical and horizontal offsets for DVP or SLP elbows.

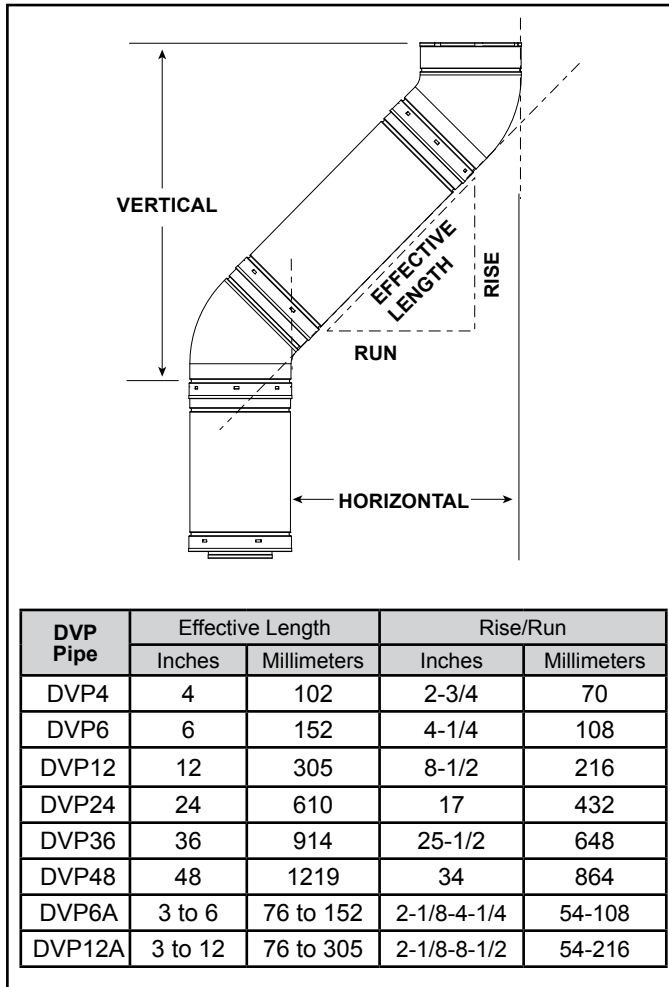


Figure 4.6

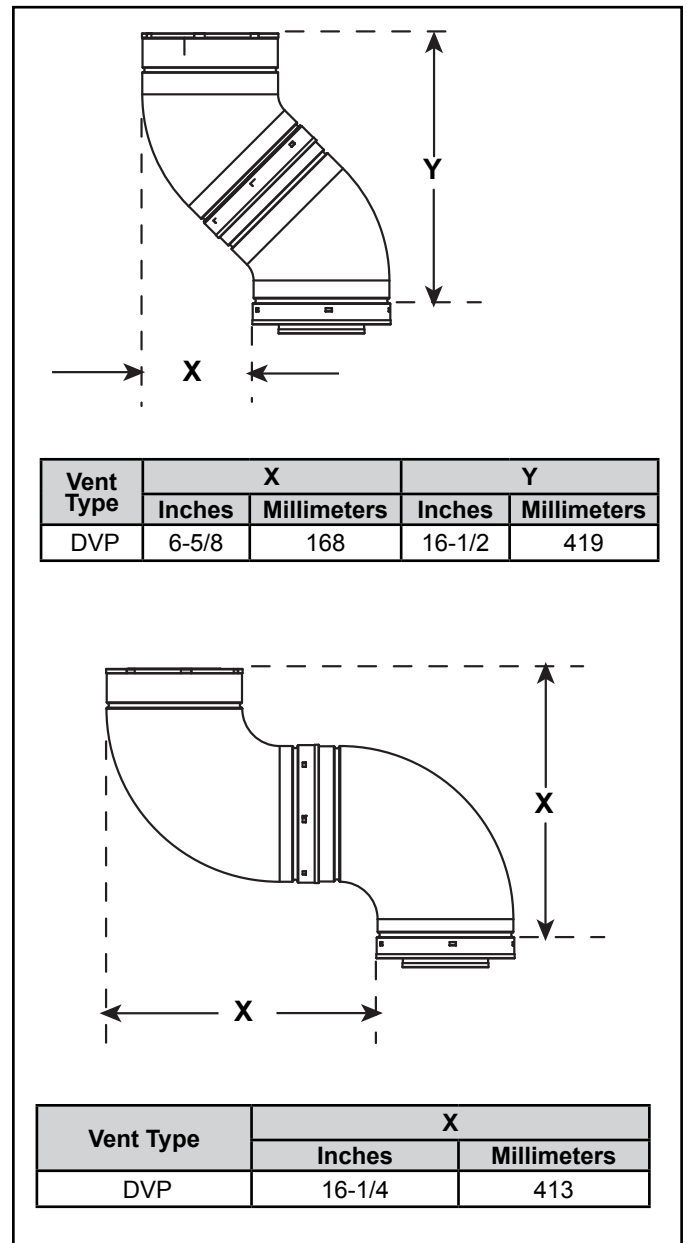


Figure 4.7 Vertical and Horizontal Offset for DVP and SLP Elbows

## E. Vent Diagrams

### General Rules:

- When penetrating a combustibile wall, a wall shield firestop must be installed.
- When penetrating a combustibile ceiling, a ceiling firestop must be installed.
- Horizontal runs of vent do not require vertical rise; horizontal runs may be level.
- It is recommended that the horizontal termination cap have a 1/4 inch (6 mm) downward slant to allow any moisture in cap to be released. See Figure 4.8.

If venting configuration differs from the vent diagrams on the following pages (Figure 4.12-4.27), these rules also apply:

- SUBTRACT 3 ft (914 mm) from the total H measurement for each 90° elbow installed horizontally.
- SUBTRACT 1-1/2 ft (457 mm) from the total H measurement for each 45° elbow installed horizontally.
- A maximum of three 90° elbows (or six 45° elbows) may be used in any vent configuration. Some elbows may be installed horizontally. See Figure 4.13.
- Elbows may be placed back to back anywhere in the system.
- Any 90° elbow may be replaced with two back to back 45° elbows.
- 2 x 45° elbow jog directly off the top of the fireplace is allowed but has no V or H value and DOES NOT count towards total elbow count.

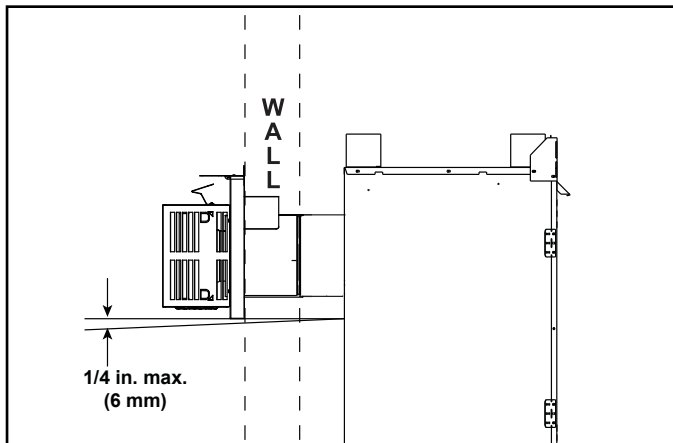


Figure 4.8

### ⚠ WARNING



Fire Risk. Explosion Risk.

Do NOT pack insulation or other combustibles between ceiling firestops.



- ALWAYS maintain specified clearances around venting and firestop systems.

- Install wall shield and ceiling firestops as specified.

Failure to keep insulation or other material away from vent pipe may cause fire.

### ⚠ WARNING



Fire Risk.

- When using DVP-HRC-SS and DVP-HRC-ZC-SS termination caps on top vented fireplaces, a 6 inch (152 mm) minimum vertical vent section is required before installing first elbow.

### Measuring Standards:

Vertical and horizontal measurements listed in the vent diagrams and clearances for termination were made using the following standards:

- Pipe measurements are shown using the effective length of pipe. See Section 12.A for information on effective length of pipe components.
- Horizontal terminations are measured to the outside mounting surface (flange of termination cap). See Figure 4.9.
- Vertical terminations are measured to top of last section of pipe. See Figure 4.10.
- Horizontal pipe installed level with no rise.

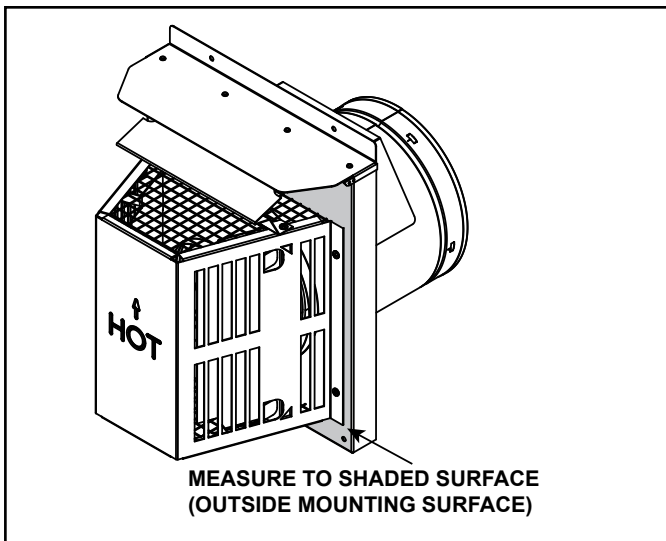


Figure 4.9 Measure to Outside Mounting Surface

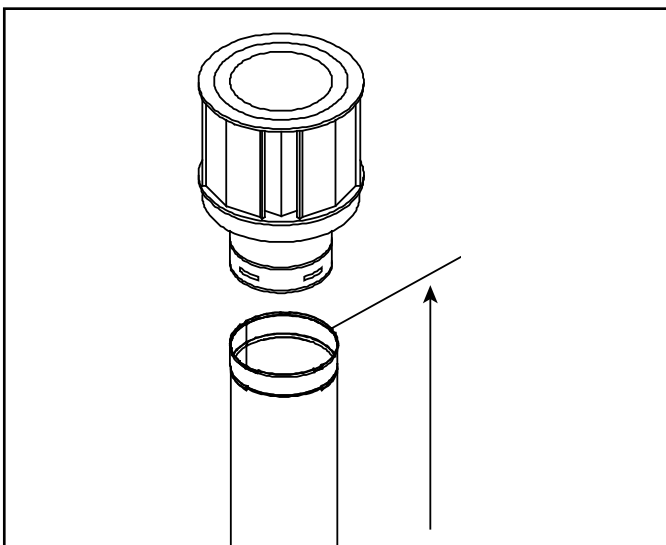


Figure 4.10 Measure to Top of Last Section of Pipe

## Flue Components and Terminations

**NOTE: DO NOT USE AN UNLINED MASONRY CHIMNEY AS THE FLUE FOR THIS APPLIANCE.**

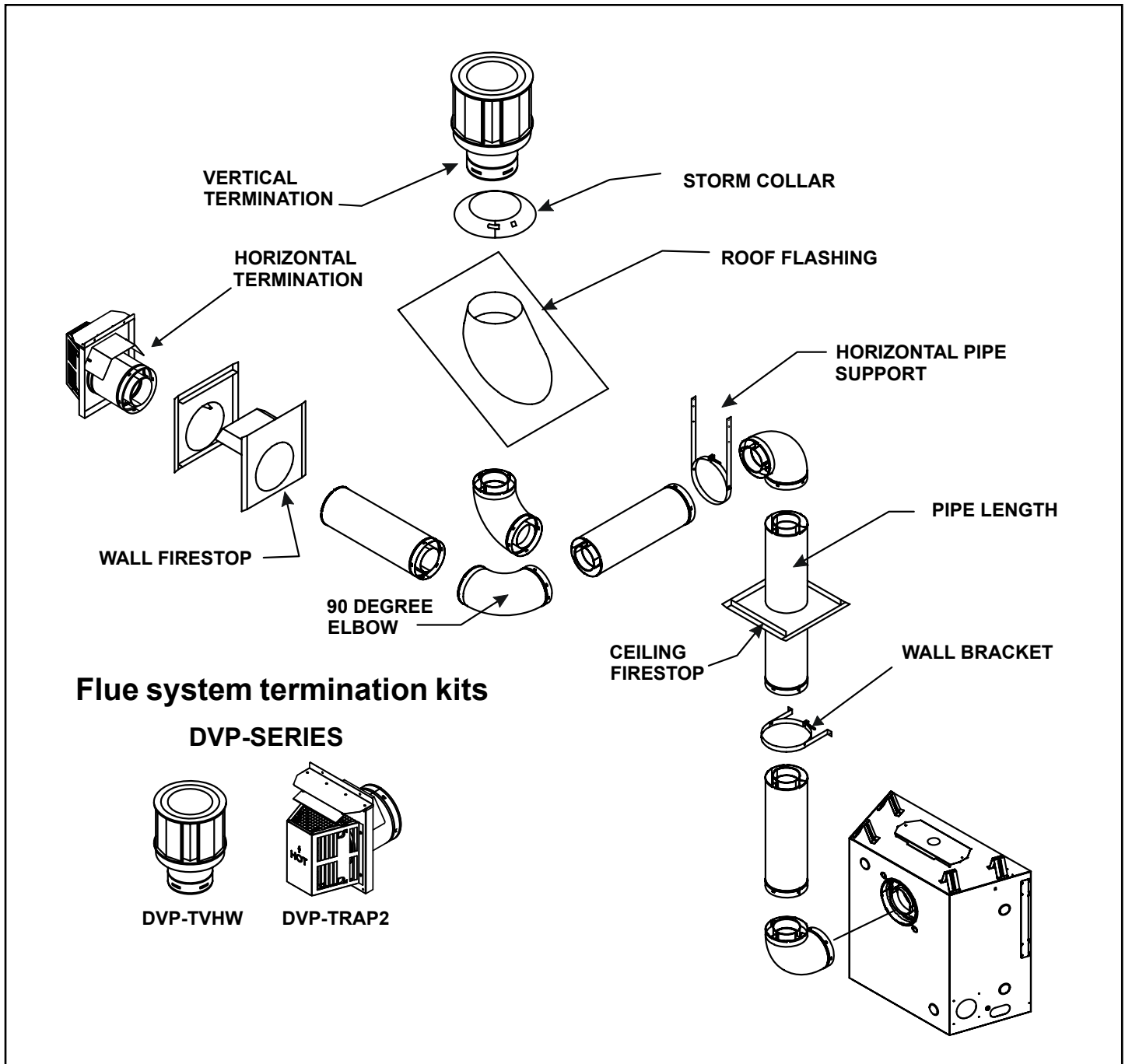


Figure 4.11 Flue Components and Terminations

## Top Vent - Horizontal Termination

### One Elbow

**Note:** For corner installations: A 6 inch (152 mm) section of straight pipe may need to be attached to the appliance before a 90° elbow, to allow the vent pipe to clear the top standoffs.

**WARNING! Risk of Fire!** Elbow heat shield required when  $V_1 = 2$  ft. or less. Clearances to combustibles must be maintained. See Section 5.A.

6KX-AU (NG/LP)			
$V_1$ Minimum		$H_1$ Maximum	
.5 ft.	152	2 ft.	610 mm
1 ft.	305 mm	3 ft.	914 mm
2 ft.	610 mm	6 ft.	1.8 m
3 ft.	914 mm	11 ft.	3.4 m
4 ft.	1.2 m	16 ft.	4.9 m
5 ft.	1.5 m	20 ft.	6.1 m
$V_1 + H_1 = 40$ ft. (12.2 m) Maximum $H_1 = 20$ ft. (6.1 m) Maximum			

6KX-AU (ULPG)			
$V_1$ Minimum		$H_1$ Maximum	
1 ft.	305 mm	1 ft.	305 mm
2 ft.	610 mm	4 ft.	1.2 m
3 ft.	914 mm	6 ft.	1.8 m
4 ft.	1.2 m	8 ft.	2.4 m
5 ft.	1.5 m	10 ft.	3.0 m
$V_1 + H_1 = 40$ ft. (12.2 m) Maximum $H_1 = 10$ ft. (3.0 m) Maximum			

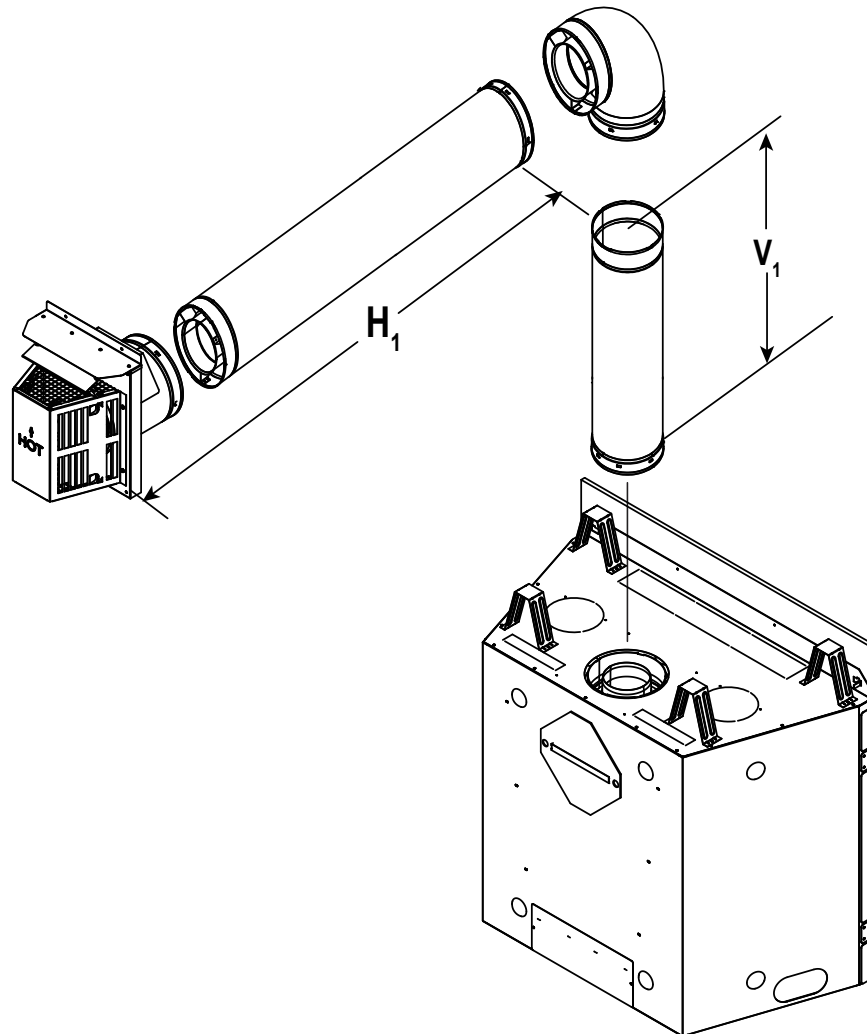


Figure 4.12

## Top Vent - Horizontal Termination - (continued)

### Two Elbows

**Note:** For corner installations: A 6 in. (152 mm) section of straight pipe may need to be attached to the appliance before a 90° elbow, to allow the vent pipe to clear the top standoffs.

**WARNING! Risk of Fire!** Elbow heat shield required when  $V_1 = 2$  ft. or less. Clearances to combustibles must be maintained. See Section 5.A.

6KX-AU (NG/LP)			
$V_1$ Minimum		$H_1 + H_2$ Maximum	
.5 ft.	152 mm	1 ft.	305 mm
1 ft.	305 mm	2 ft.	610 mm
2 ft.	610 mm	4 ft.	1.2 m
3 ft.	914 mm	8 ft.	2.4 m
4 ft.	1.2 m	12 ft.	3.7 m
6 ft.	1.8 m	20 ft.	6.1 m
$V_1 + H_1 + H_2 = 40$ ft. (12.2 m) Maximum $H_1 + H_2 = 20$ ft. (6.1 m) Maximum			

6KX-AU (ULPG)			
$V_1$ Minimum		$H_1 + H_2$ Maximum	
1 ft.	305 mm	1 ft.	305 mm
2 ft.	610 mm	3 ft.	914 mm
3 ft.	914 mm	5 ft.	1.5m
4 ft.	1.2 m	7 ft.	2.1 m
6 ft.	1.8 m	11 ft.	3.4 m
$V_1 + H_1 + H_2 = 40$ ft. (12.2 m) Maximum $H_1 + H_2 = 11$ ft. (3.4 m) Maximum			

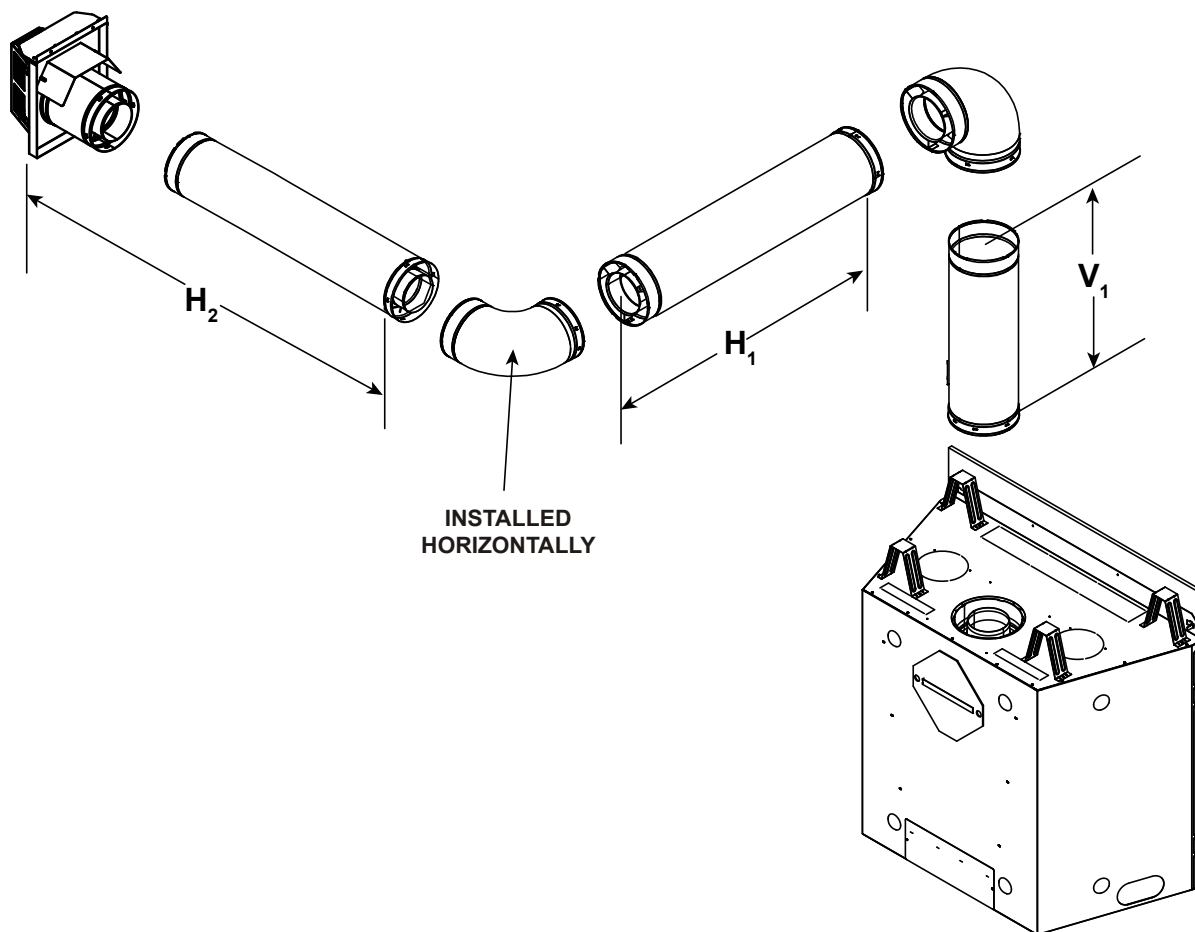


Figure 4.13



## Top Vent - Horizontal Termination - (continued)

### Three Elbows

**Note:** For corner installations: A 6 in. (152 mm) section of straight pipe may need to be attached to the appliance before a 90° elbow, to allow the vent pipe to clear the top standoffs.

**WARNING! Risk of Fire!** Elbow heat shield required when  $V_1 = 2$  ft. or less. Clearances to combustibles must be maintained. See Section 5.A.

6KX-AU (NG/LP)							
$V_1$ Min.		$H_1$ Max.		$V_2$ Min.		$H_2$ Max.	
.5 ft.	152 mm	2 ft	610 mm	6 in.	152 mm	2 ft.	610 mm
1 ft.	305 mm	4 ft.	1.2 m	1 ft.	305 mm	4 ft.	1.2 m
2 ft.	610 mm	8 ft.	2.4 m	2 ft.	610 mm	8 ft.	2.4 m
3 ft.	914 mm	12 ft.*	3.7 m*	3 ft.	914 mm	12 ft.*	3.7 m*
4 ft.	1.2 m	16 ft.*	4.9 m*	4 ft.	1.2 m	16 ft.*	4.9 m*
* $H_1 + H_2 = 20$ ft. (6.1 m) Maximum				$V_1 + V_2 + H_1 + H_2 = 40$ ft. (12.2 m) Maximum			

6KX-AU (ULPG)							
$V_1$ Min.		$H_1$ Max.		$V_2$ Min.		$H_2$ Max.	
1 ft.	305 mm	2 ft.	610 mm	1 ft.	305 mm	2 ft.	610 mm
2 ft.	610 mm	4 ft.	1.2 m	2 ft.	610 mm	4 ft.	1.2 m
3 ft.	914 mm	6 ft.	1.8 m	3 ft.	914 mm	6 ft.	1.8 m
4 ft.	1.2 m	8 ft.	2.4 m	4 ft.	1.2 m	8 ft.	2.4 m
* $H_1 + H_2 = 16$ ft. (4.9 m) Maximum				$V_1 + V_2 + H_1 + H_2 = 40$ ft. (12.2 m) Maximum			

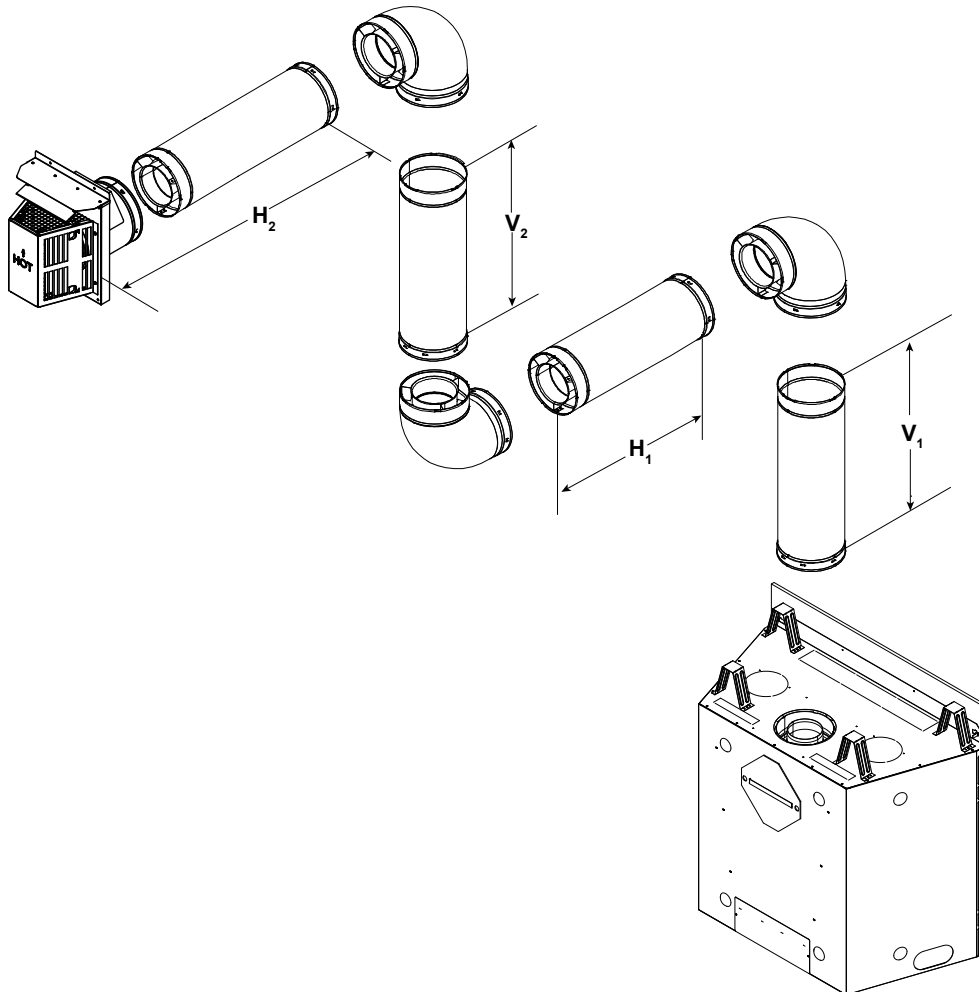


Figure 4.14

## Top Vent - Vertical Termination

### No Elbow

$V_1 = 40 \text{ ft. Max. (12.4 m)}$   
 $V_1 = 3 \text{ ft. Min. (914 mm)}$

**Note:** If installing a vertical vent/termination off the top of the appliance, the flue restrictor should be used.

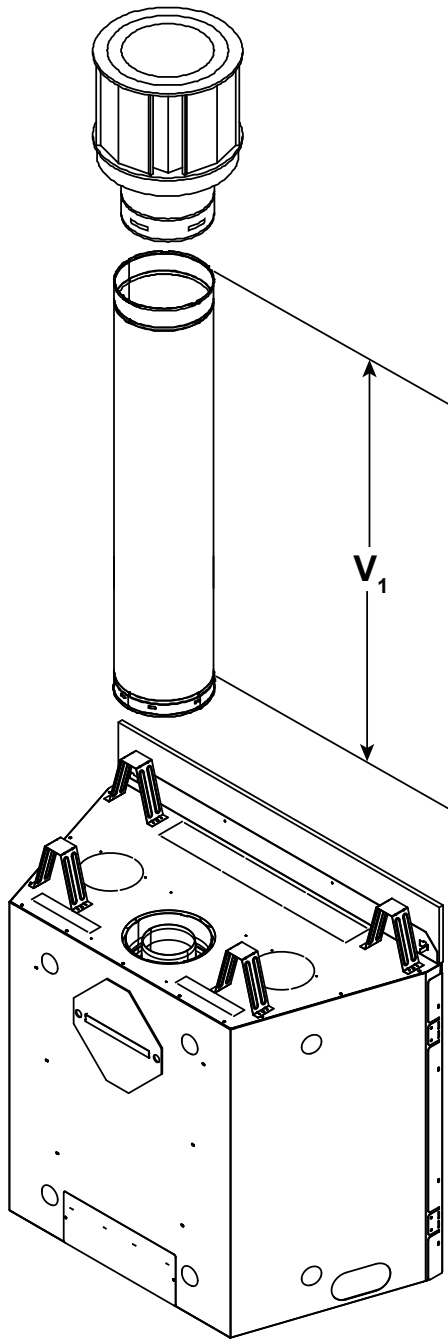


Figure 4.15

## Top Vent - Vertical Termination (continued)

### Flue Restrictor Instructions

1. Remove the top piece of refractory, if already installed. See Figure 4.16.
2. Remove the flue visor and discard. See Figure 4.16.
3. Orientate and align the two pieces of the flue restrictor as shown in Figure 4.17.
4. Refer to Table 4.1 and Figure 4.17 to match the amount of vertical you have in the system and determine the appropriate position to set the flue restrictor.
5. Center the two flue restrictor pieces on the vent at the setting selected in step 4 and secure in place by using two self-tapping screws. See Figure 4.16.
6. Reinstall the refractory.

Vertical	TOP VENT		REAR VENT	
	NG	LP/ULPG	NG	LP/ULPG
4 ft. (1.2 m)	1-1	No Restrictor	No Restrictor	No Restrictor
8 ft. (2.4 m)	2-2	1-2	1-1	No Restrictor
15 ft. (4.6 m)	3-2	3-2	2-2	1-2
20 ft. (6.0 m)	3-2	3-2	3-2	3-2
25 ft. (7.6 m)	3-2	3-2	3-2	3-2
30 ft. (9.1 m)	3-3	3-3	3-3	3-3
35 ft. (10.7 m)	3-4	3-4	3-4	3-3
40 ft. (12.2 M)	3-4	3-4	3-4	3-4

Table 4.1

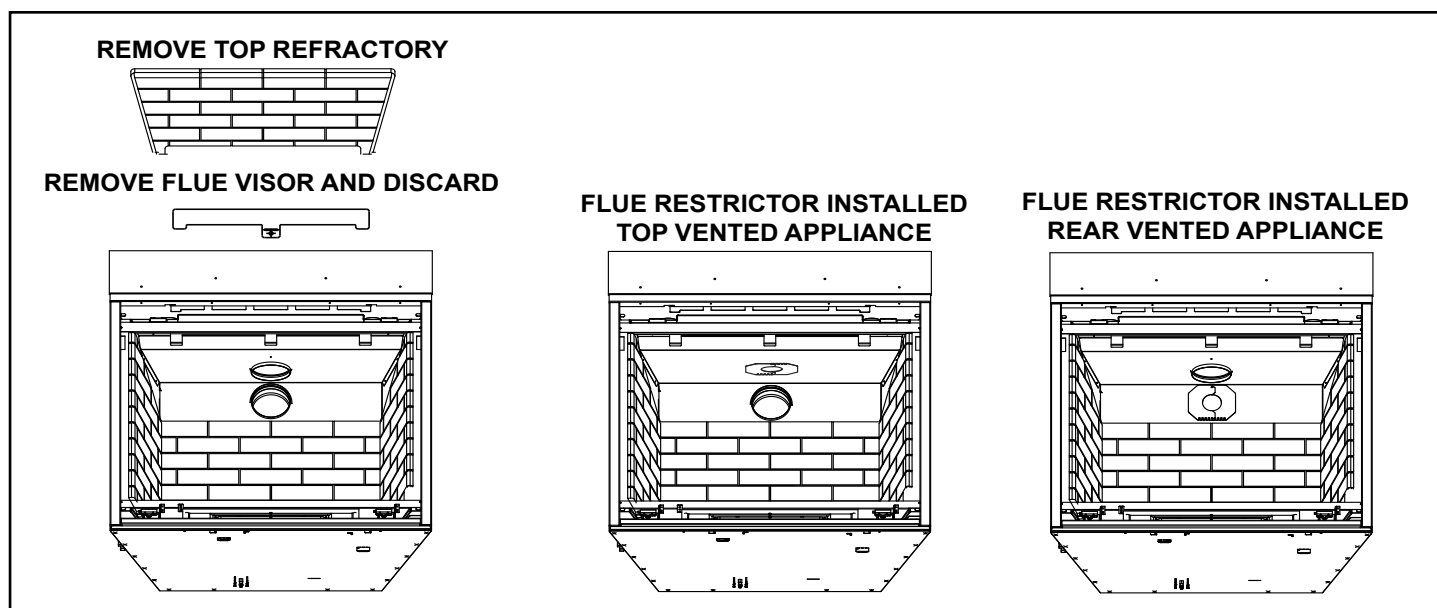


Figure 4.16

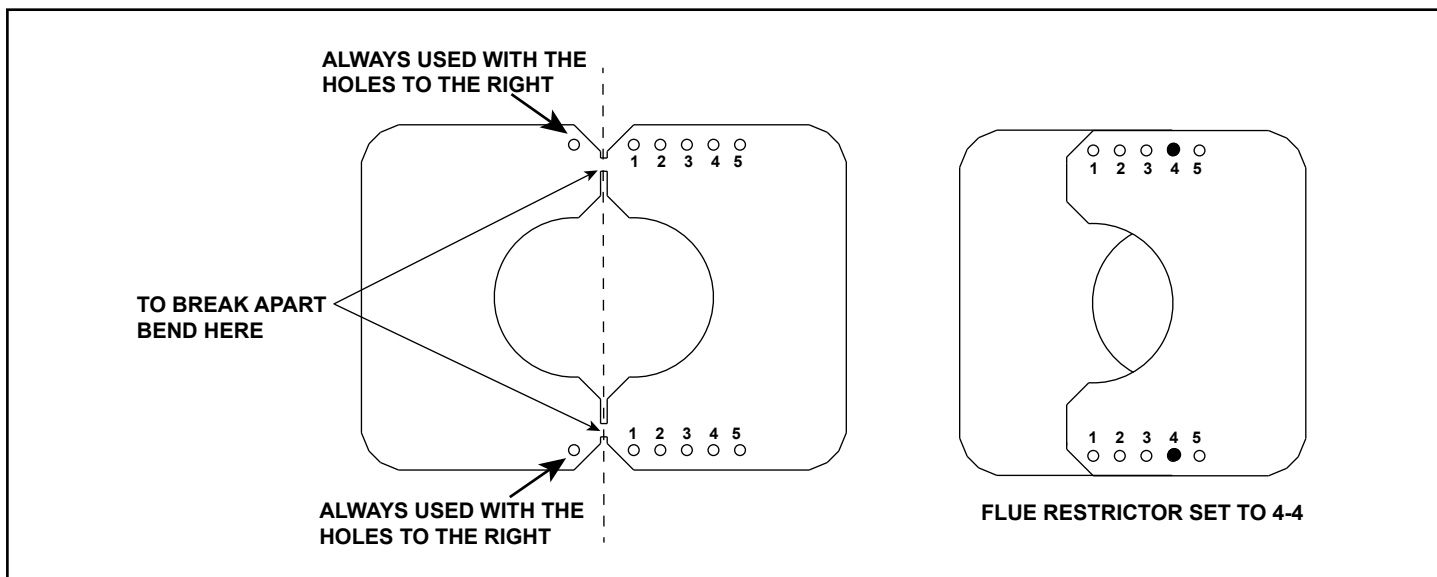
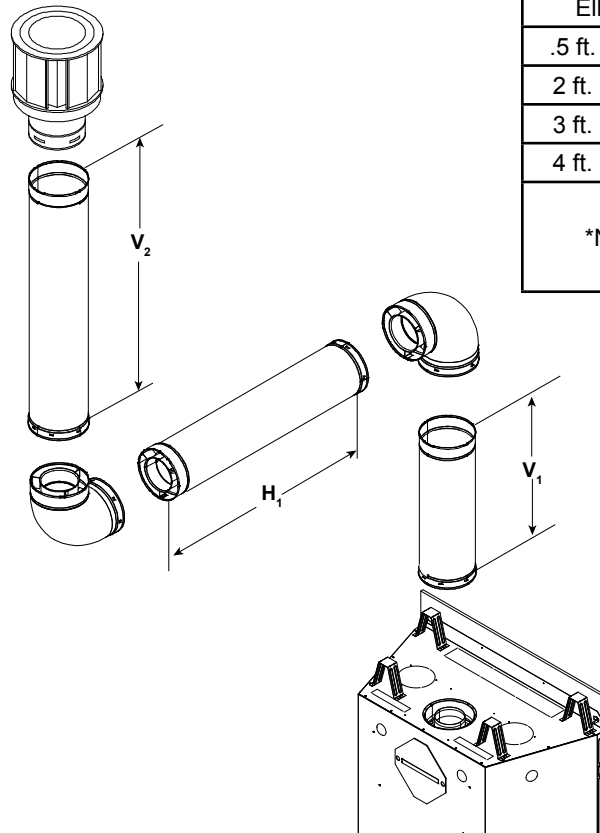


Figure 4.17 Setting the Flue Restrictor

## Top Vent - Vertical Termination - (continued)

### Two Elbows

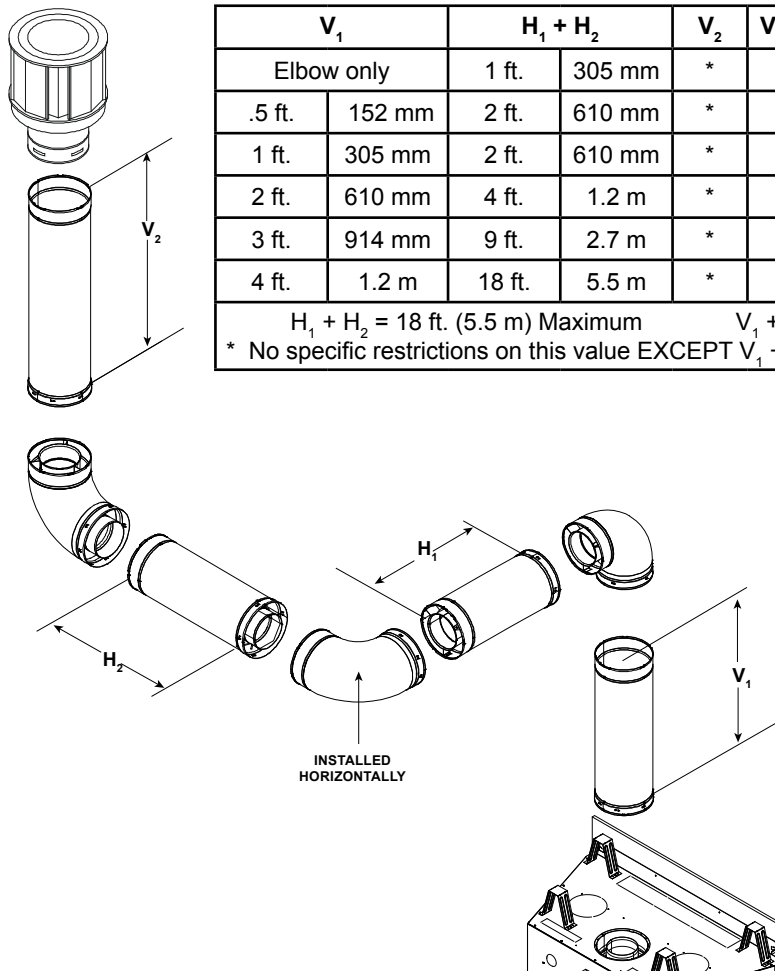


$V_1$		$H_1$ Maximum		$V_2$	$V_1 + V_2$ Min.	
Elbow only		2 ft.	610 mm	*	*	*
.5 ft.	152 mm	6 ft.	1.8 m	*	*	*
2 ft.	610 mm	11 ft.	3.4 m	*	*	*
3 ft.	914 mm	16 ft.	4.9 m	*	*	*
4 ft.	1.2 m	20 ft.	6.1 m	*	*	*

$V_1 + V_2 + H_1 = 50 \text{ ft. (15.2 m)}$  Maximum  
 \*No specific restrictions on this value EXCEPT  
 $V_1 + V_2 + H_1$  cannot exceed 50 ft (15.2 m)

Figure 4.18

### Three Elbows



$V_1$		$H_1 + H_2$		$V_2$	$V_1 + V_2$ Minimum		$H_1 + H_2$ Maximum	
Elbow only		1 ft.	305 mm	*	*	*	1 ft.	305 mm
.5 ft.	152 mm	2 ft.	610 mm	*	*	*	2 ft.	610 mm
1 ft.	305 mm	2 ft.	610 mm	*	*	*	2 ft.	610 mm
2 ft.	610 mm	4 ft.	1.2 m	*	*	*	4 ft.	1.2 m
3 ft.	914 mm	9 ft.	2.7 m	*	*	*	9 ft.	2.7 m
4 ft.	1.2 m	18 ft.	5.5 m	*	*	*	18 ft.	5.5 m

$H_1 + H_2 = 18 \text{ ft. (5.5 m)}$  Maximum       $V_1 + V_2 + H_1 + H_2 = 40 \text{ ft. (12.2 m)}$  Maximum  
 \* No specific restrictions on this value EXCEPT  $V_1 + V_2 + H_1 + H_2$  cannot exceed 40 ft. (12.2 m).

Figure 4.19

## Rear Vent - Horizontal Termination

### No Elbow

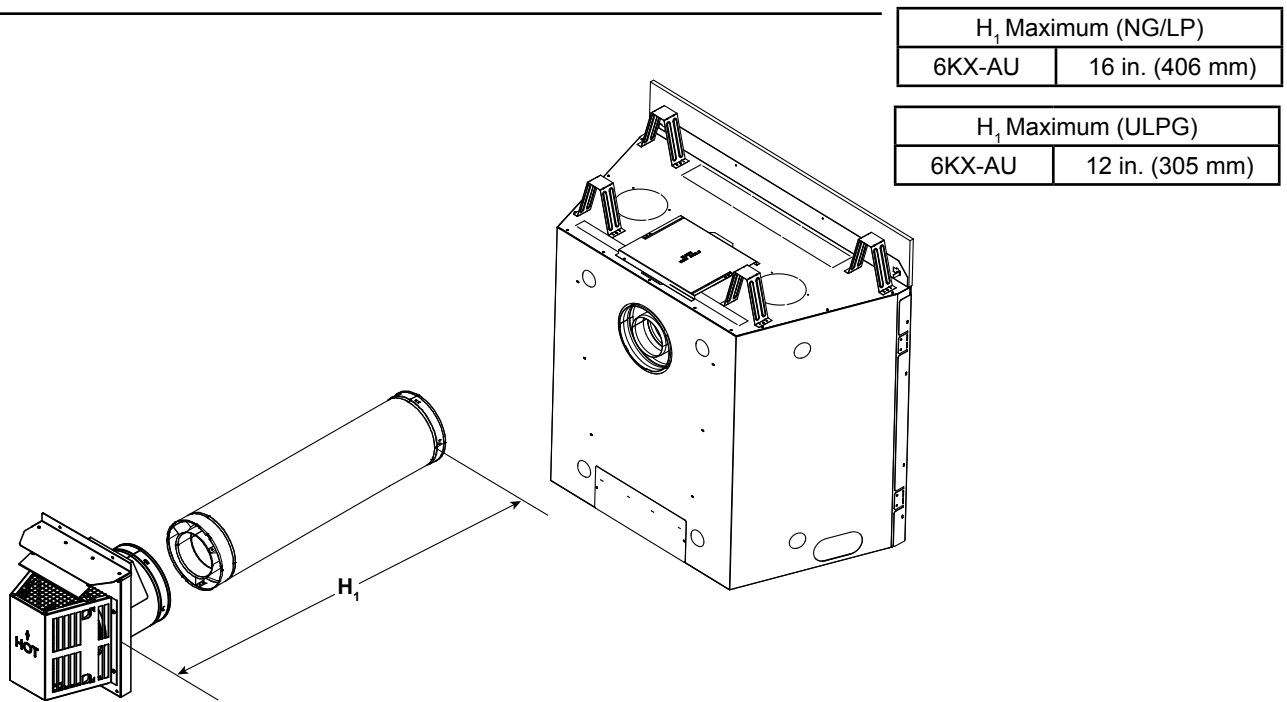


Figure 4.20

### One 45° Elbow

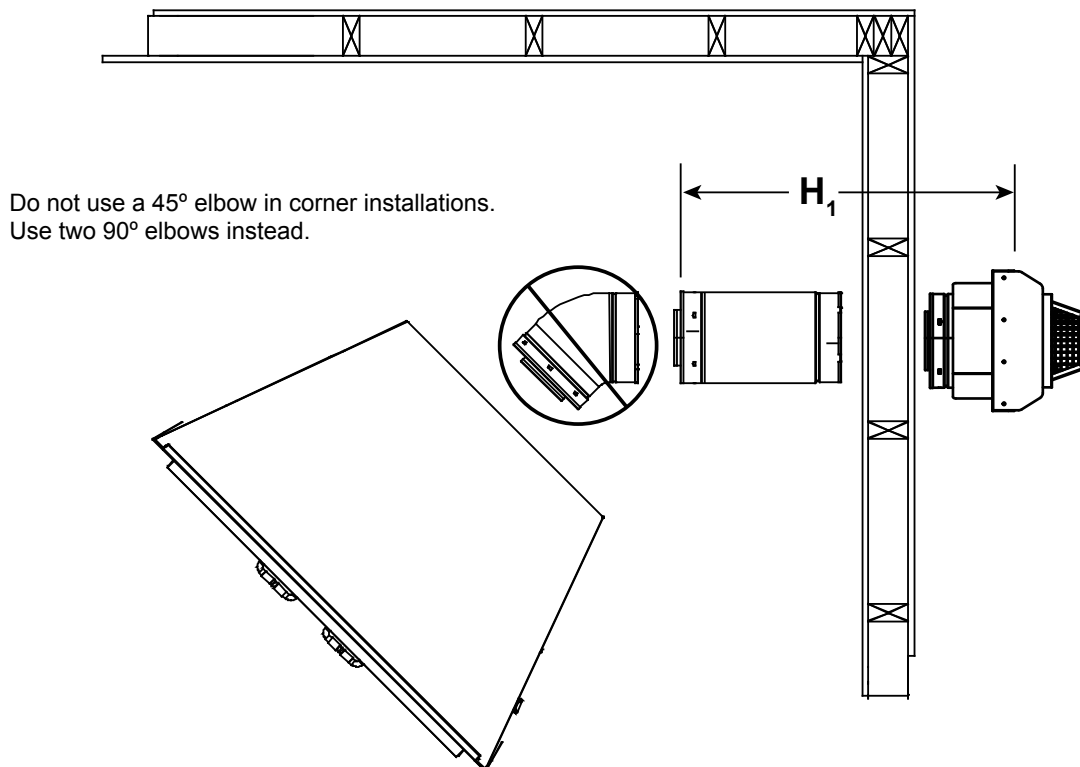


Figure 4.21

## Rear Vent - Horizontal Termination - (continued)

### Two Elbows

H <sub>1</sub> Maximum		V <sub>1</sub> Minimum		H <sub>2</sub>		H <sub>1</sub> + H <sub>2</sub> Maximum	
.5 ft.	152 mm	Back to Back 90° Elbows		1 ft.	305 mm	1.5 ft.	457 mm
1 ft.	305 mm	6 in.	152 mm	1.5 ft.	457 mm	2.5 ft.	762 mm
2 ft.	610 mm	1 ft.	305 mm	2 ft.	610 mm	4 ft.	1.2 m
3 ft.	914 mm	2 ft.	610 mm	3 ft.	914 mm	6 ft.	1.8 m
3 ft.	914 mm	3 ft.	914 mm	7 ft.	2.1 m	10 ft.	3.0 m
3 ft.	914 mm	4 ft.	1.2 m	12 ft.	3.7 m	15 ft.	4.6 m
3 ft.	914 mm	5 ft.	1.5 m	17 ft.	5.2 m	20 ft.*	6.1 m*
V <sub>1</sub> + H <sub>1</sub> + H <sub>2</sub> = 40 ft. (12.2 m) Maximum    H <sub>1</sub> = 3 ft. (914 mm) Maximum *H <sub>1</sub> + H <sub>2</sub> = 20 ft. (6.1 m) Maximum							

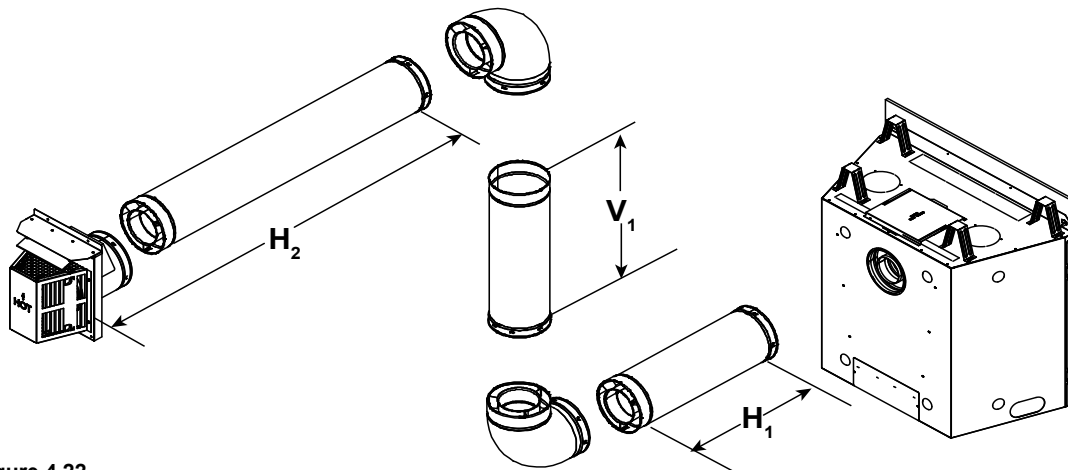


Figure 4.22

### Three Elbows

H <sub>1</sub> Maximum		V <sub>1</sub> Minimum		H <sub>2</sub> + H <sub>3</sub>		H <sub>1</sub> + H <sub>2</sub> + H <sub>3</sub> Max.	
0 ft.	0 mm	Back to Back 90° Elbows		1 ft.	305 mm	1 ft.	305 mm
1 ft.	305 mm	6 in.	152 mm	1.5 ft.	457 mm	2.5 ft.	762 mm
2 ft.	610 mm	1 ft.	305 mm	2 ft.	610 mm	4 ft.	1.2 m
3 ft.	914 mm	2 ft.	610 mm	3 ft.	914 mm	6 ft.	1.8 m
3 ft.	914 mm	3 ft.	914 mm	7 ft.	2.1 m	10 ft.	3.0 m
3 ft.	914 mm	4 ft.	1.2 m	12 ft.	3.7 m	15 ft.	4.6 m
3 ft.	914 mm	5 ft.	1.5 m	17 ft.	5.2 m	20 ft.	6.1 m
V <sub>1</sub> + H <sub>1</sub> + H <sub>2</sub> + H <sub>3</sub> = 40 ft. (12.2 m) Maximum    H <sub>1</sub> = 3 ft. (914 mm) Maximum H <sub>1</sub> + H <sub>2</sub> + H <sub>3</sub> = 20 ft. (6.1 m) Maximum							

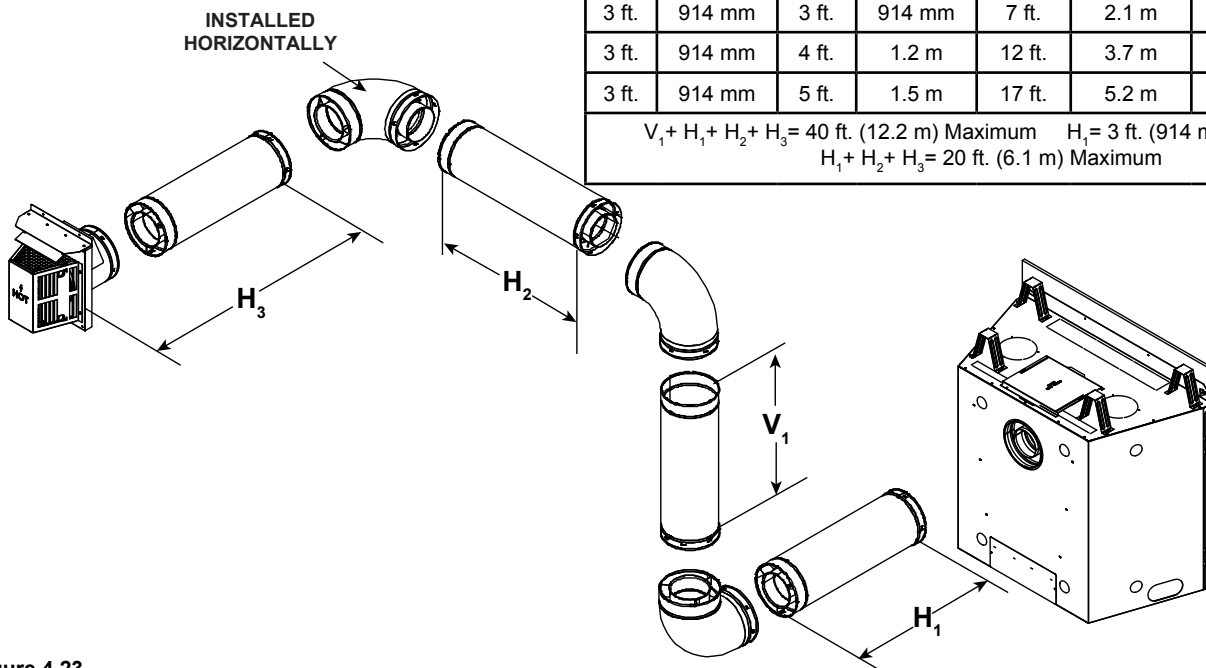
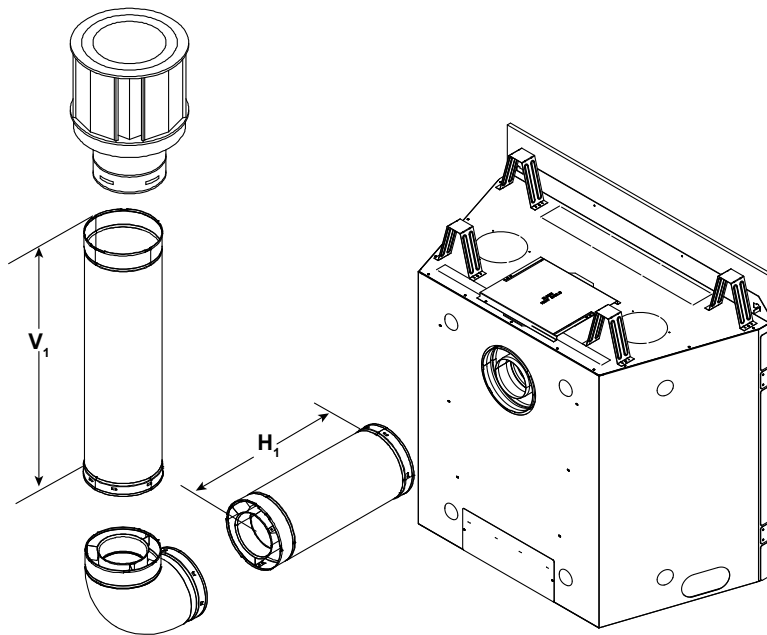


Figure 4.23

# Rear Vent - Vertical Termination

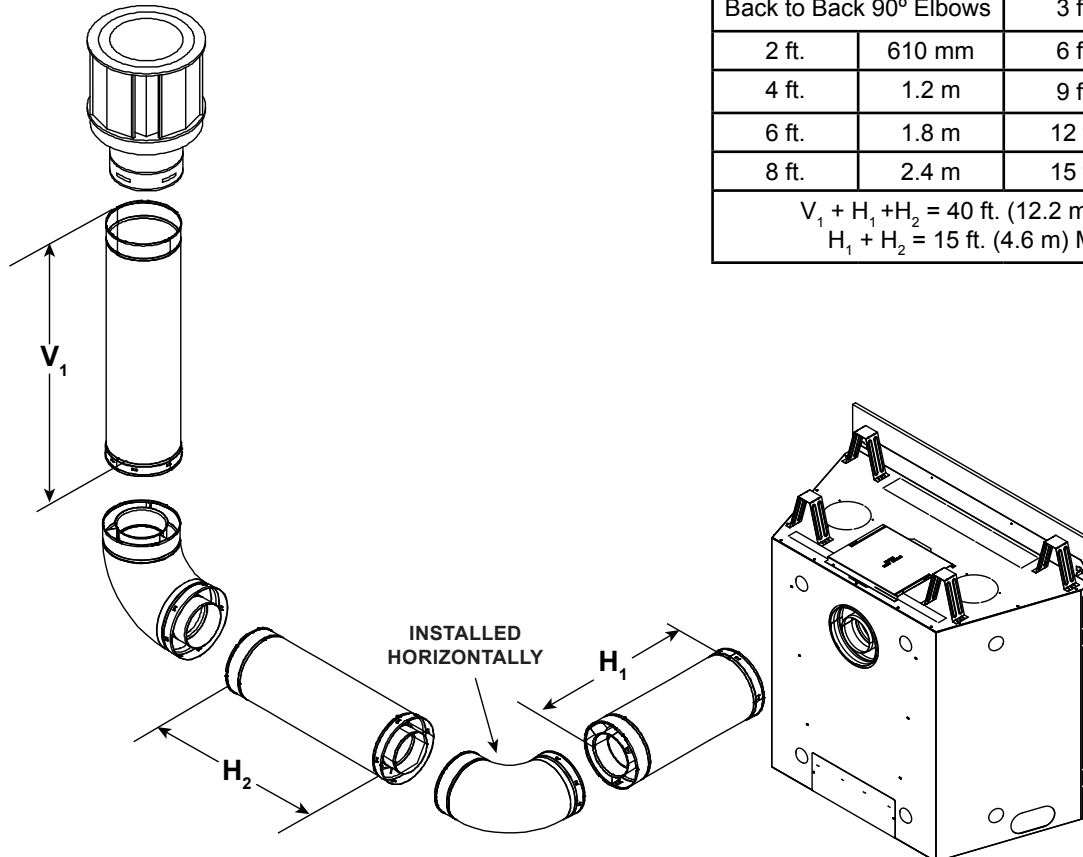
## One Elbow



V <sub>1</sub> Minimum		H <sub>1</sub> Maximum	
.5 ft.	152 mm	2 ft.	610 mm
1 ft.	305 mm	3 ft.	914 mm
2 ft.	610 mm	5 ft.	1.5 m
3 ft.	914 mm	7 ft.	2.1 m
4 ft.	1.2 m	8 ft.	2.4 m
5 ft.	1.5 m	8 ft.	2.4 m
V <sub>1</sub> + H <sub>1</sub> = 40 ft. (12.2 m) Maximum			
H <sub>1</sub> = 8 ft. (2.4 m) Maximum			

Figure 4.24

## Two Elbows

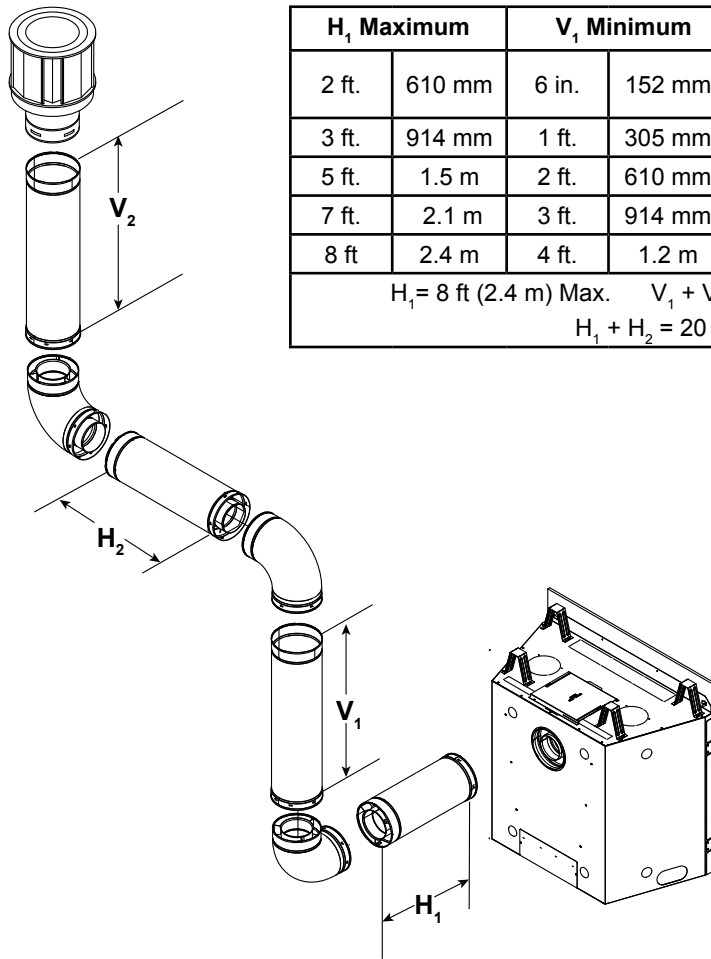


V <sub>1</sub> Minimum		H <sub>1</sub> + H <sub>2</sub> Maximum	
Back to Back 90° Elbows		3 ft.	914 mm
2 ft.	610 mm	6 ft.	1.8 m
4 ft.	1.2 m	9 ft.	2.7 m
6 ft.	1.8 m	12 ft.	3.7 m
8 ft.	2.4 m	15 ft.	4.6 m
V <sub>1</sub> + H <sub>1</sub> + H <sub>2</sub> = 40 ft. (12.2 m) Maximum			
H <sub>1</sub> + H <sub>2</sub> = 15 ft. (4.6 m) Maximum			

Figure 4.25

## Rear Vent - Vertical Termination - (continued)

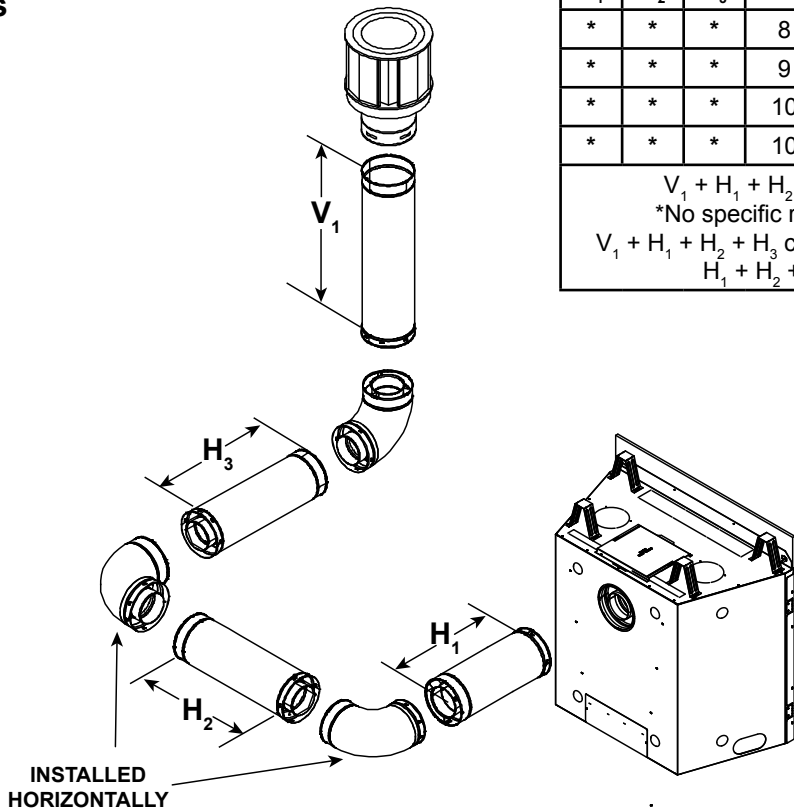
### Three Elbows



H <sub>1</sub> Maximum		V <sub>1</sub> Minimum		H <sub>2</sub>		H <sub>1</sub> + H <sub>2</sub> Maximum	
2 ft.	610 mm	6 in.	152 mm	2 ft.	610 mm	4 ft.	1.2 m
3 ft.	914 mm	1 ft.	305 mm	4 ft.	1.2 m	7 ft.	2.1 m
5 ft.	1.5 m	2 ft.	610 mm	6 ft.	1.8 m	11 ft.	3.4 m
7 ft.	2.1 m	3 ft.	914 mm	8 ft.	2.4 m	15 ft.	4.6 m
8 ft.	2.4 m	4 ft.	1.2 m	10 ft.	3.1 m	18 ft.	5.5 m
H <sub>1</sub> = 8 ft (2.4 m) Max.    V <sub>1</sub> + V <sub>2</sub> + H <sub>1</sub> + H <sub>2</sub> = 40 ft (12.2 m) Max. H <sub>1</sub> + H <sub>2</sub> = 20 ft (6.1 m) Max.							

Figure 4.26

### Three Elbows



H <sub>1</sub>	H <sub>2</sub>	H <sub>3</sub>	V <sub>1</sub> Minimum		H <sub>1</sub> + H <sub>2</sub> + H <sub>3</sub> Maximum	
*	*	*	8 ft.	2.4 m	6 ft.	1.8 m
*	*	*	9 ft.	2.7 m	7 ft.	2.1 m
*	*	*	10 ft.	3.1 m	8 ft.	2.4 m
*	*	*	10 ft.	3.1 m	8 ft.	2.4 m
V <sub>1</sub> + H <sub>1</sub> + H <sub>2</sub> + H <sub>3</sub> = 40 ft. (12.2 m) Maximum *No specific restrictions on this value EXCEPT V <sub>1</sub> + H <sub>1</sub> + H <sub>2</sub> + H <sub>3</sub> cannot exceed 40 ft. (12.2 m) Maximum H <sub>1</sub> + H <sub>2</sub> + H <sub>3</sub> = 8 ft. (2.4 m) Maximum						

Figure 4.27



## F. Power Vent Configurations

The PVLP-SLP-AU power vent is approved for use with this appliance.

Table 4.1 below shows the allowable vent length and elbow combinations when using PVLP-SLP-AU. Refer to the PVLP-SLP-AU instruction manual for limitations and appliance specific requirements.

Horizontal Termination									
Total Venting Length (Feet) Includes both horizontal and vertical section of pipe									
# of Elbows	10 ft. (3.05 m)	20 ft. (6.10 m)	30 ft. (9.14 m)	40 ft. (12.19 m)	50 ft. (15.24 m)	60 ft. (18.29 m)	70 ft. (21.34 m)	80 ft. (24.38 m)	90 ft. (27.43 m)
1									
2									
3									
4									
5									
6									
7									
8									
9									
10									
11									
12									

ALLOWABLE VENT RUNS

NOT ALLOWED

Table 4.28 Allowable Vent Runs - Horizontal Termination

# 5 Vent Clearances and Framing

## A. Pipe Clearances to Combustibles

**WARNING! Risk of Fire! Maintain air space clearance to vent. DO NOT pack insulation or other combustibles:**

- Between ceiling firestops
- Between wall shield firestops
- Around vent system

Failure to keep insulation or other material away from vent pipe could cause overheating and fire.

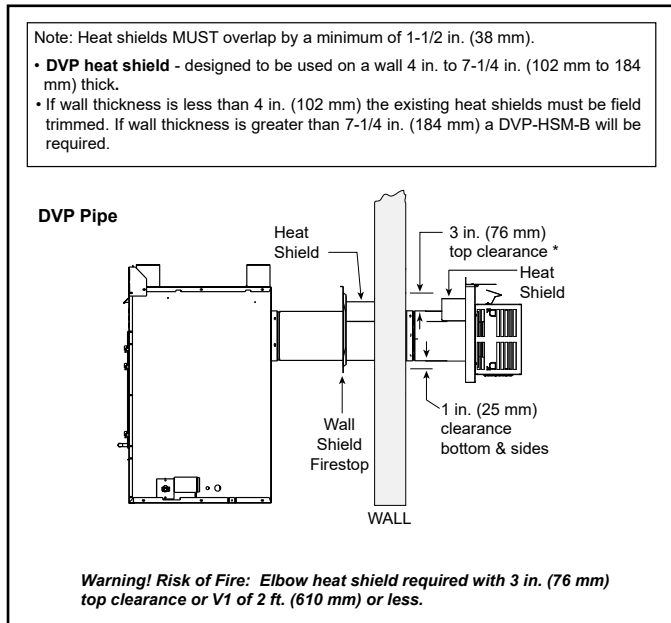


Figure 5.1 Horizontal Venting Clearances To Combustible Materials - Generic Fireplace Shown

### Elbow Heat Shield

**WARNING! Risk of Fire! Elbow heat shield MUST be installed if required. Overheating will occur.**

Top vented appliances: Installation of the elbow heat shield is required when the clearance to combustible material above the first 90 degree vent elbow is three inches or less. See Figure 5.1.

**Note:** A minimum of three inches (76 mm) clearance from the top of the pipe to any combustible material must always be maintained.

#### To Install Elbow Heat Shield:

1. Remove the elbow heat shield from the shipping position by removing screws.
2. Fasten the shield in place using the four pilot holes. The shield should be oriented such that the dimension (longest dimension) is running in the same direction the elbow is pointing. The shield should be centered directly above the elbow, and positioned so that it creates a 1/2 in. (13mm) airspace between the shield and the combustible surface. See Figure 5.2.

#### To Install Elbow Heat Shield:

1. Remove the elbow heat shield from the shipping position by removing screws.
2. Fasten the shield in place using the four pilot holes. The shield should be oriented such that the dimension (longest dimension) is running in the same direction the elbow is pointing. The shield should be centered directly above the elbow, and positioned so that it creates a 1/2 in. (13 mm) airspace between the shield and the combustible surface. See Figure 5.2.

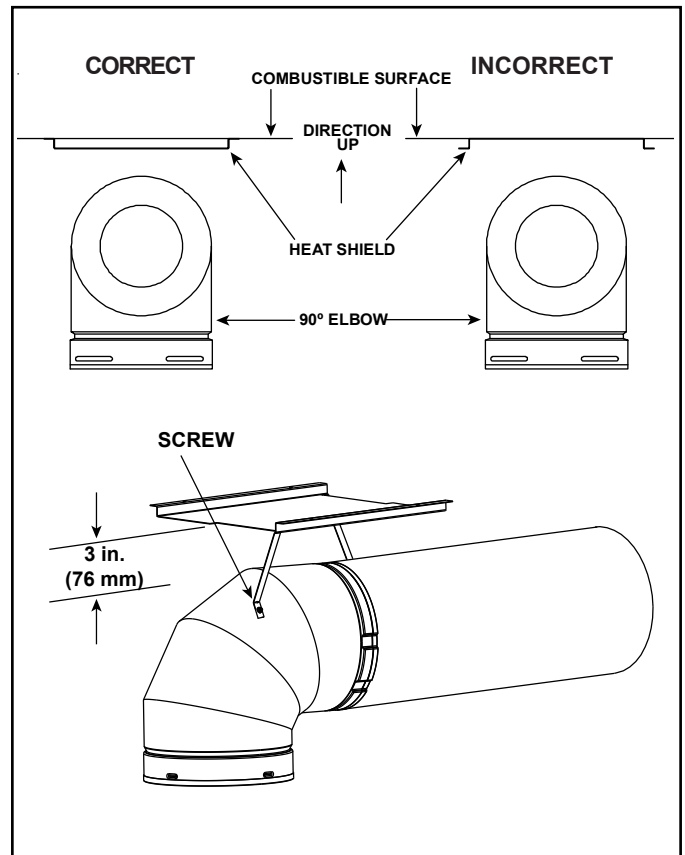


Figure 5.2 Elbow Heat Shield Installation

## Elbow and Offset Clearances to Combustibles

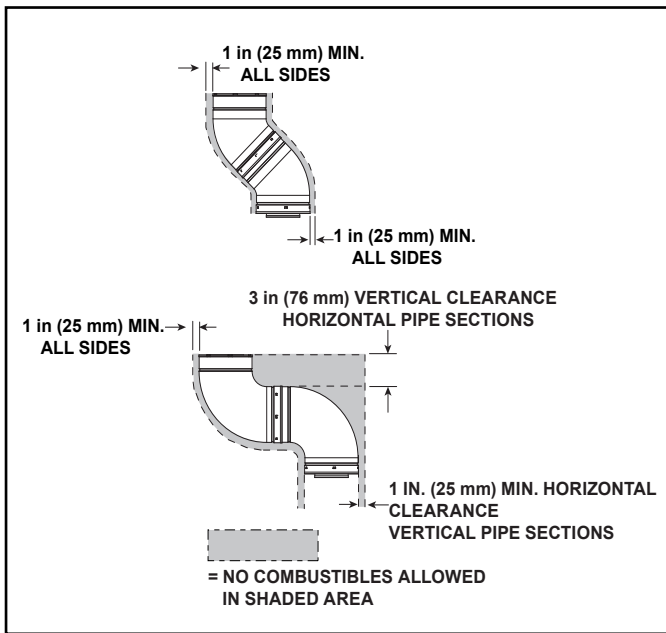


Figure 5.3 Clearances from Vent to Combustible Framing Materials

## Non-Combustible Wall Penetration

If the hole being penetrated is surrounded by non-combustible materials such as concrete, a hole with diameter one inch greater than the pipe is acceptable.

Whenever a non-combustible wall is penetrated, the wall shield firestop is only required on one side and no heat shield is necessary.

## B. Wall Penetration Framing/Firestops

### Combustible Wall Penetration

Whenever a combustible wall is penetrated, you must frame a hole for the wall shield firestop(s). The wall shield firestop maintains minimum clearances and prevents cold air infiltration.

- The opening must be framed on all four sides using the same size framing materials as those used in the wall construction.
- DVP pipe - A wall shield firestop is required on one side only on interior walls. If your local inspector requires a wall shield firestop on both sides, then both wall shield firestops must have a heat shield (refer to Section 12.A.) attached to them.
- See Section 7.F. for information for regarding the installation of a horizontal termination cap.

### Non-Combustible Wall Penetration

If the hole being penetrated is surrounded by non-combustible materials such as concrete, a hole with diameter one inch greater than the pipe is acceptable.

Whenever a non-combustible wall is penetrated, the wall shield firestop is only required on one side and no heat shield is necessary.

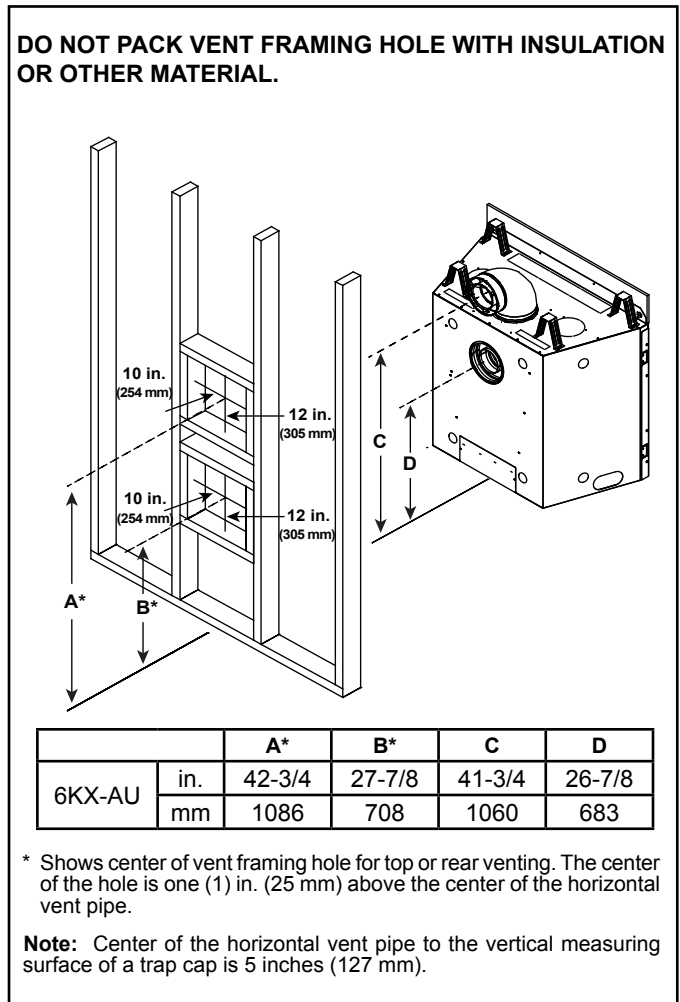


Figure 5.4 Wall Penetration

### C. Ceiling Firestop/Floor Penetration Framing

A ceiling firestop **MUST** be used between floors and attics.

- **DVP pipe only** - Frame an opening 10 in. by 10 in. (254 mm by 254 mm) whenever the vent penetrates a ceiling/floor (see Figure 5.5).
- Frame the area with the same sized lumber as used in ceiling/floor joist.
- The ceiling firestop may be installed above or below the ceiling joists when installed with an attic insulation shield. It must be under joists between floors that are not insulated. See Figure 5.6.
- Secure in place with nails or screws.

**WARNING! Risk of Fire! DO NOT pack insulation around the vent. Insulation must be kept back from the pipe to prevent overheating.**

### D. Install Attic Insulation Shield

**WARNING! Fire Risk. DO NOT allow loose materials or insulation to touch vent. Hearth & Home Technologies requires the use of an attic shield.**

The International Fuel Gas Code requires an attic shield constructed of 26 gauge minimum steel that extends at least 2 in. (51 mm) above insulation.

- Attic insulation shields must meet specified clearances to combustible materials and be secured in place.
- An attic insulation shield kit is available from Hearth & Home Technologies. Contact your dealer to order. Install attic insulation shield according to instructions included with kit.

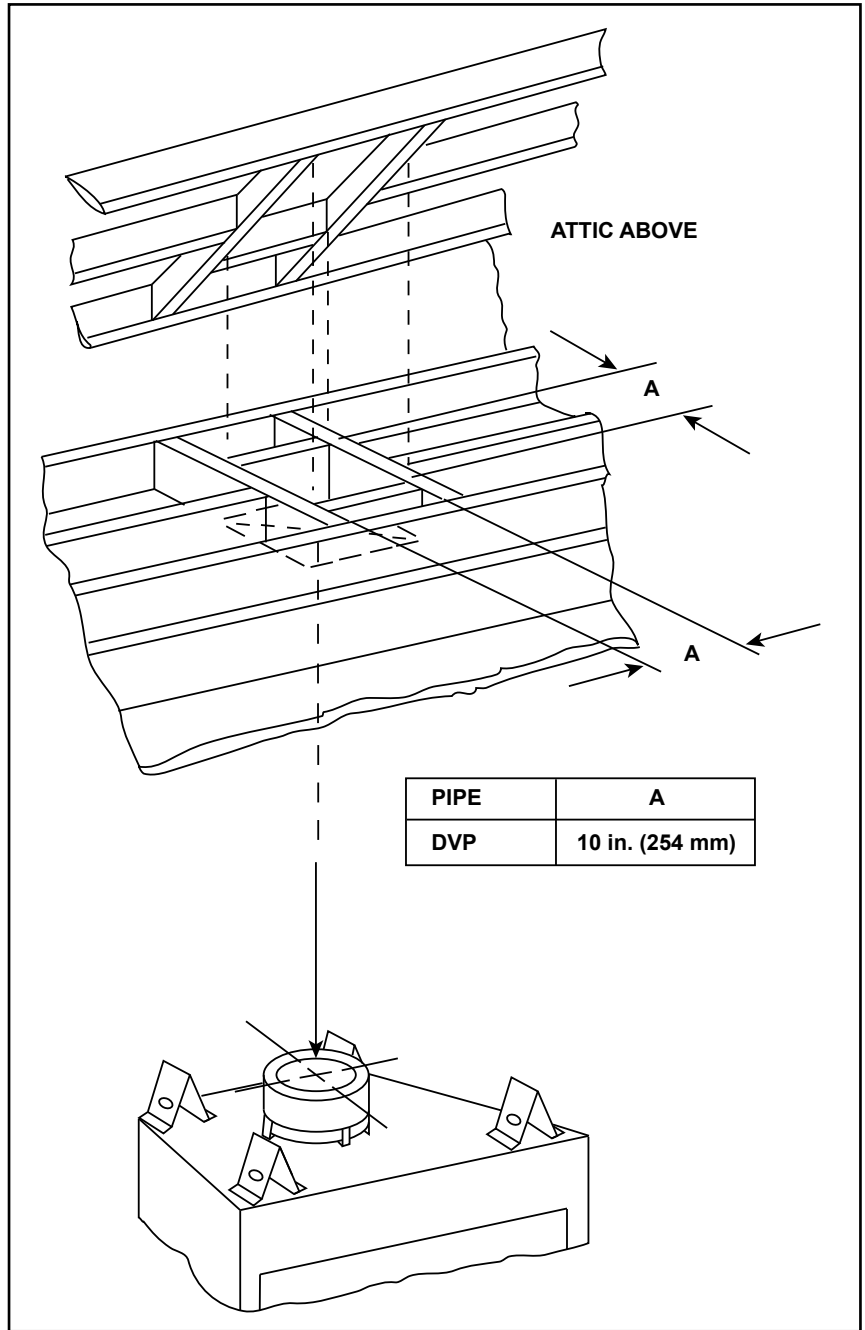


Figure 5.5 Installing Ceiling Firestop - Generic Fireplace Shown

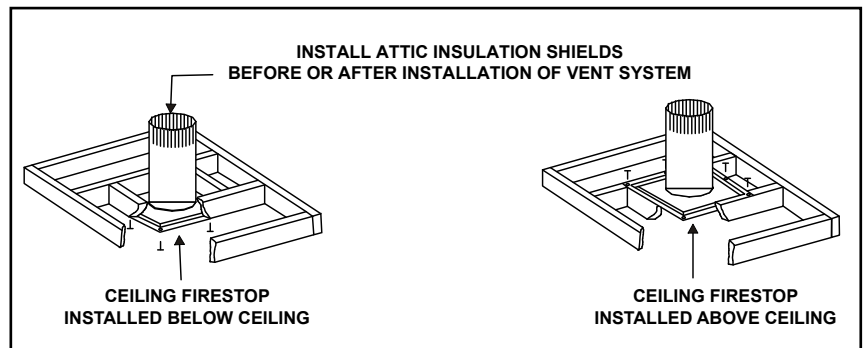


Figure 5.6 Installing the Attic Shield

# 6 Appliance Preparation

## A. Vent Collar Preparation

**CAUTION! Risk of Cuts, Abrasions or Flying Debris.** Wear protective gloves and safety glasses during installation. Sheet metal edges are sharp.

**NOTICE:** Once appliance is set up for top or rear venting, it **CANNOT** be changed at a later time.

### Top Vent

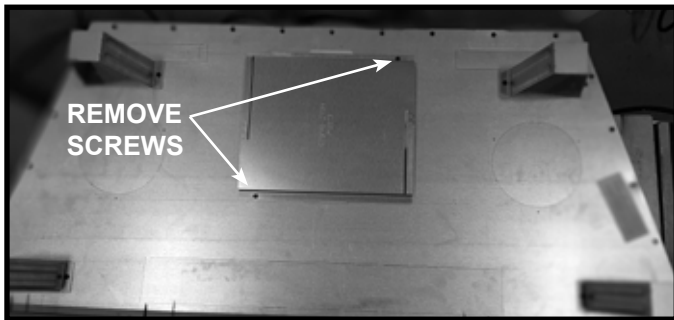


Figure 6.1 Remove Elbow Heat Shield by Removing Two Screws

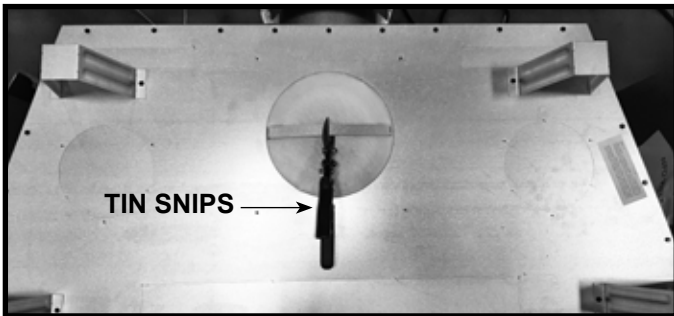


Figure 6.2 Cut Seal Cap Strap Using a Tin Snips and Bend the Pieces to 90 Degrees

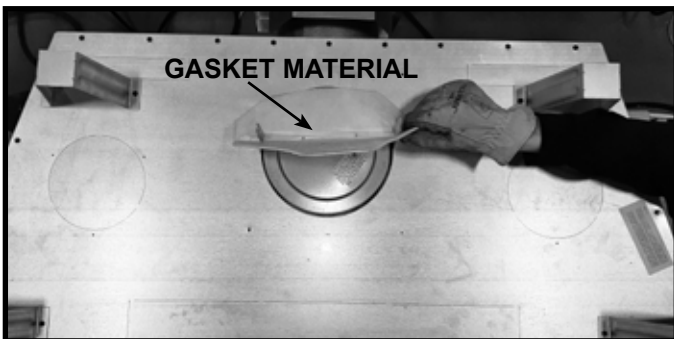


Figure 6.3 Remove the White Gasket Material Covering the Seal Cap

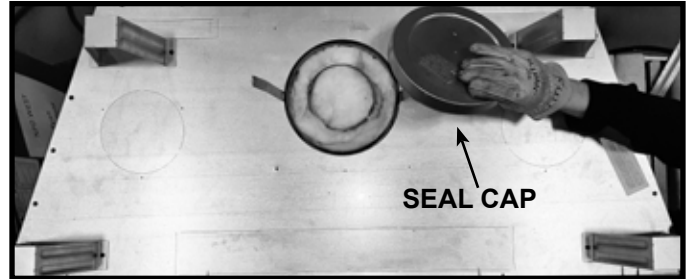


Figure 6.4 Remove Seal Cap

**NOTICE:** Once the seal cap has been removed it **CANNOT** be reattached.

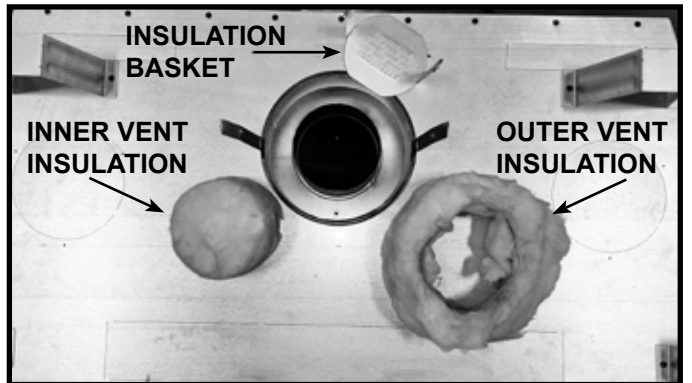
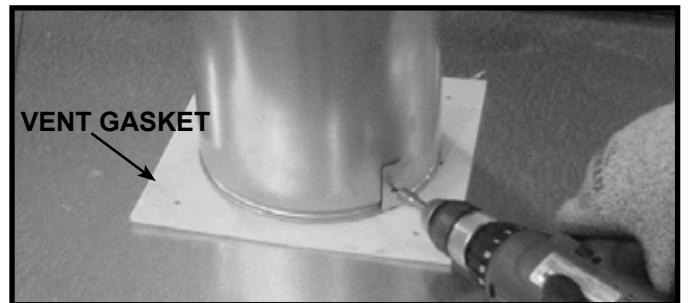


Figure 6.5 Remove Insulation Basket, Inner Vent Insulation and Outer Vent Insulation



**Figure 6.6 (Generic Fireplace Shown)** To attach the first section of vent pipe, make sure to use the vent gasket in the manual bag to seal between the first vent component and the outer fireplace wrap. Seal with four screws or caulk with a minimum of 300 °F (149 °C) continuous exposure rating may be used to hold the part in place.

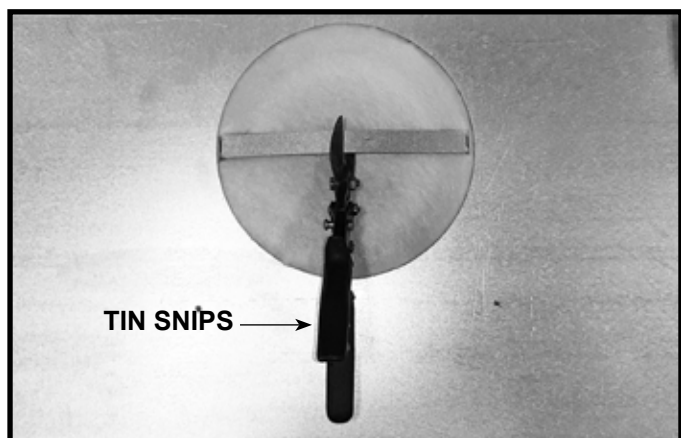
Secure the first section of venting to the fireplace by screwing through the two straps left over from cutting the seal cap strap (Figure 6.6).

It is acceptable to use screws no longer than 1/2 in. (13 mm) to hold outer pipe sections together. If predrilling holes, **DO NOT** penetrate inner pipe.

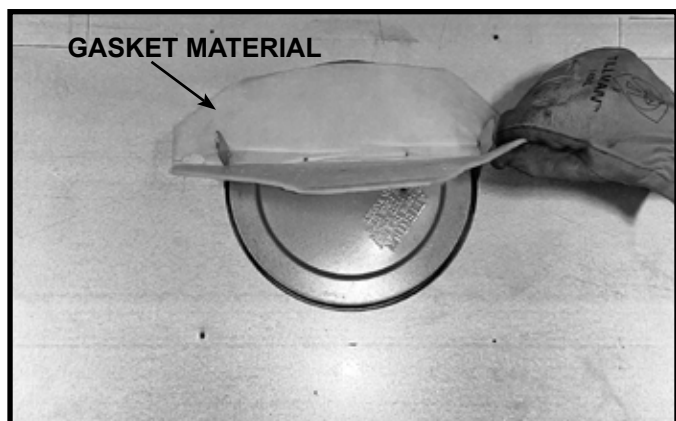
Figure 6.3 (Generic Appliance Shown) Remove the seal cap.

## Rear Vent

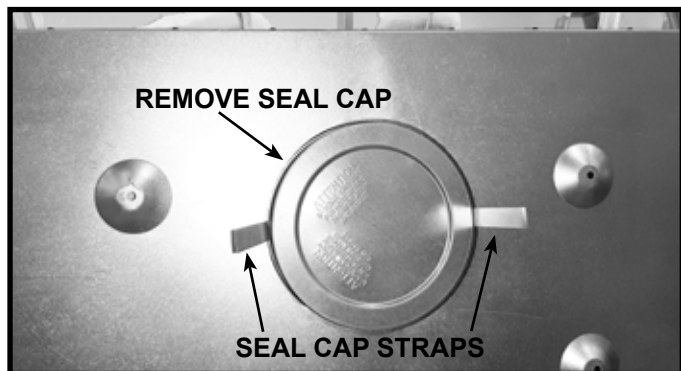
**NOTICE:** Once appliance is set up for top or rear venting, it **CANNOT** be changed at a later time.



**Figure 6.7** Cut Seal Cap Strap Using a Tin Snips and Bend the Pieces to 90 Degrees

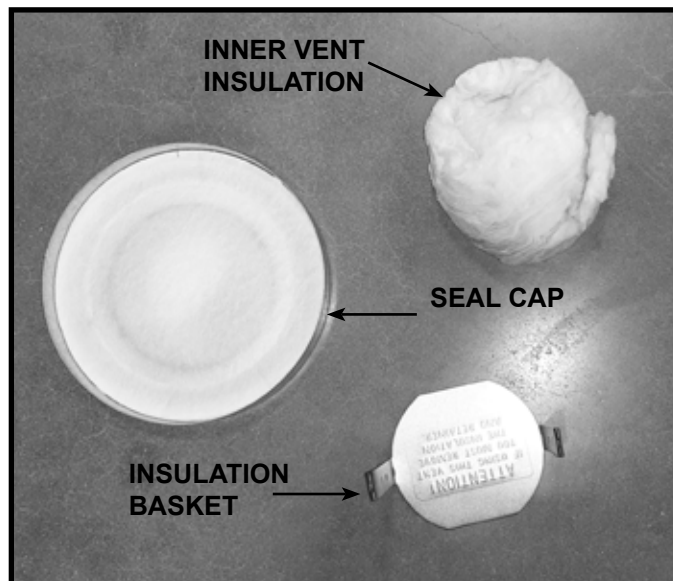


**Figure 6.8** Remove the White Gasket Material Covering the Seal Cap

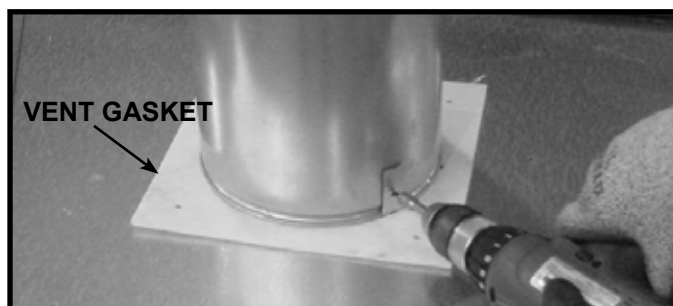


**Figure 6.9** Remove Seal Cap

**NOTICE:** Once the seal cap has been removed it **CANNOT** be reattached.



**Figure 6.10** Remove Insulation Basket and Inner Vent Insulation



**Figure 6.11 (Generic Fireplace Shown)** To attach the first section of vent pipe, make sure to use the vent gasket in the manual bag to seal between the first vent component and the outer fireplace wrap. Seal with four screws or caulk with a minimum of 300 °F (149 °C) continuous exposure rating may be used to hold the part in place.

Secure the first section of venting to the fireplace by screwing through the two straps left over from cutting the seal cap strap (Figure 6.11).

It is acceptable to use screws no longer than 1/2 in. (13 mm) to hold outer pipe sections together. If predrilling holes, **DO NOT** penetrate inner pipe.

## B. Prepare For Heat Management

**WARNING! Risk of Fire! DO NOT block passive heat registers! Overheating of appliance and combustible materials will occur.**

**WARNING! Risk of Fire! DO NOT remove a knockout unless a heat management system will be installed in its place. Appliance and combustible materials will overheat.**

### Introduction

An optional heat management system allows the heat from the appliance to be redirected as desired.

An optional heat management system must be installed by a qualified service technician at the time of the appliance installation. Follow the instructions shipped with the kit for installation and operation.

### Heat Management System options are:

- HEAT-ZONE®-240V: The heat is diverted into an adjacent room. The HZMR-ADP Heat-Zone Adapter kit may be required and is ordered separately. See Table 6.1.
- Passive Heat (PH-MR): The heat is vented into the room in which the appliance is installed through a discharge opening(s).

**NOTICE:** Additional clearances are required for heat management systems installations. Provisions must be made in advance to ensure fit within the framing.

- Determine the heat management system(s) that will be installed.
- Locate the two heat management knockouts on the top of the appliance. Remove the knockout from the fireplace and discard it. See Figure 6.12. Either one or two heat management systems may be installed. Remove the knockout(s) from the appliance with a tin snips.
- Center the duct collar around the exposed hole and attach it to the appliance with 3 screws.

**Note:** Do this BEFORE final positioning of the appliance.

- Determine the location for the air register/fan housing assembly.

Reference the appropriate instructions included with the kit for the remaining installation steps.

These models may utilize two Heat Management Systems, but not all are compatible.

Passive Heat may be used with HEAT-ZONE®-240V. The dedicated knockouts, as shown in Figure 6.12, must be used only as indicated.

**Note:** When a fan is operated with the Passive Heat system, there will be a decrease in the amount of air flowing from the appliance opening. Air will be flowing from both the appliance opening and the passive heat opening.

HZMR-ADP	
HEAT-ZONE-240V	Required
HEAT-ZONE-240V + PASSIVE HEAT	Not Required

Table 6.1 HZMR-ADP Kit

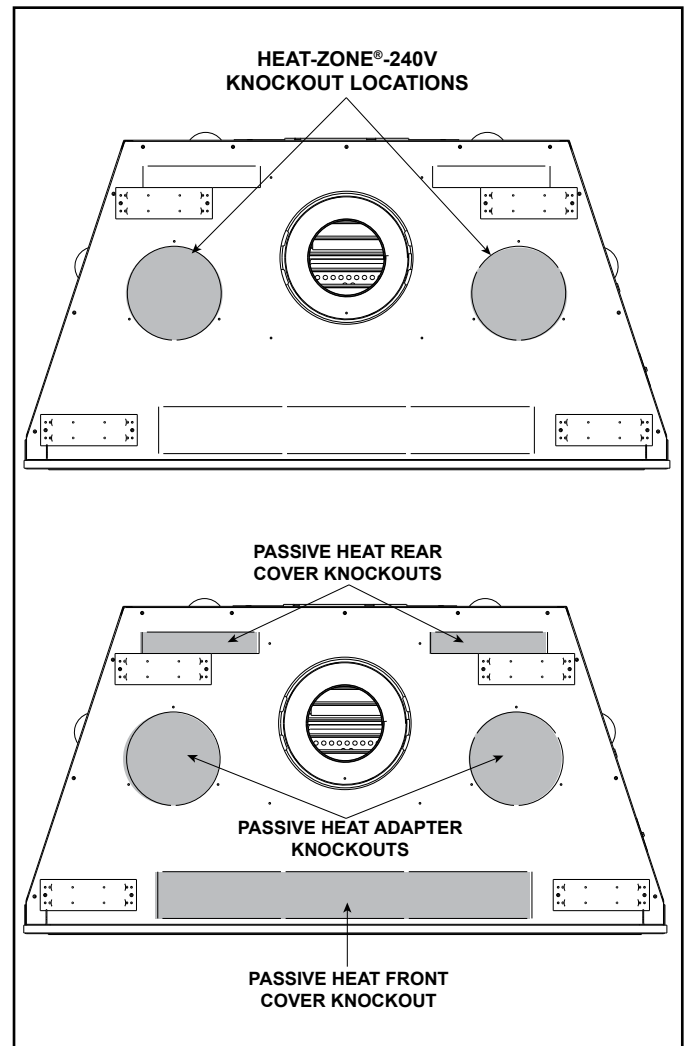


Figure 6.12 Heat Management Knockout Locations

## C. Securing and Leveling the Appliance

### ⚠ WARNING



#### Risk of Fire!

Prevent contact with:

- *Sagging or loose insulation*
- *Insulation backing or plastic*
- *Framing and other combustible materials*

**DO NOT remove standoffs or notch the framing around the appliance standoffs.**

*Failure to maintain air space clearance could cause overheating and fire.*

*Block openings into the chase to prevent entry of blown-in insulation. Make sure insulation and other materials are secured.*

The diagram shows how to properly square and position, and secure the appliance. See Figures 6.13 and 6.14. Nailing tabs are provided to secure the appliance to the framing members.

- Bend out nailing tabs on each side.
- Place the appliance into position.
- Keep nailing tabs flush with the framing.
- Level the appliance from side to side and front to back.
- “Square” the unit by securing diagonal dimensions to within 1/4 in. (6 mm) of each other. See Figure 6.14.
- Shim the appliance as necessary. It is acceptable to use wood shims underneath the appliance.
- Secure the appliance to the framing by using nails or screws through the nailing tabs. Use a minimum of one fastener per nailing tab.
- Optional: Secure the appliance to the floor by inserting two screws through the pilot holes at the bottom of the appliance.

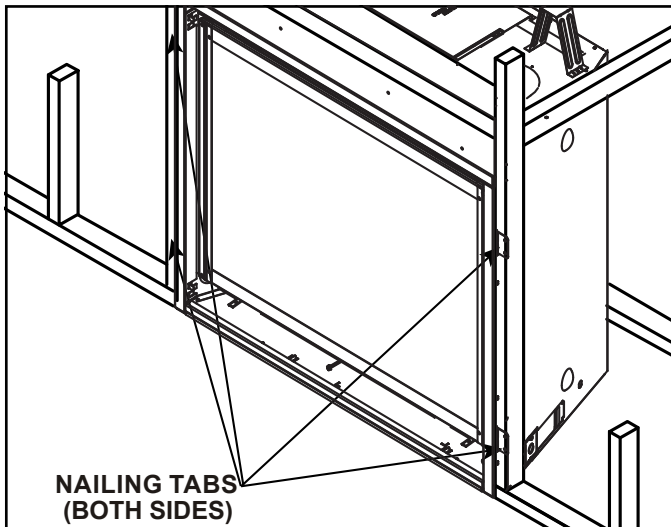


Figure 6.13 Proper Positioning and Securing of an Appliance

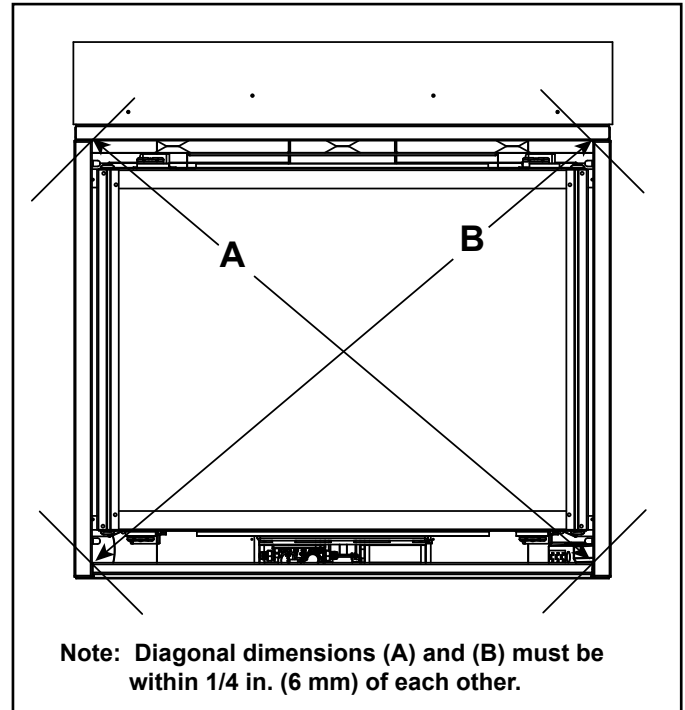


Figure 6.14 Positioning the Appliance Squarely

## D. Non-Combustible Material (Factory-Installed)

**WARNING! Risk of Fire! DO NOT remove factory-installed non-combustible material.**

A non-combustible board is factory-installed above the fireplace opening. Do not remove.

The factory supplied non-combustible board spans the distance from the top of the fireplace to the center of the framing header. This board must be used. See Figure 6.15.

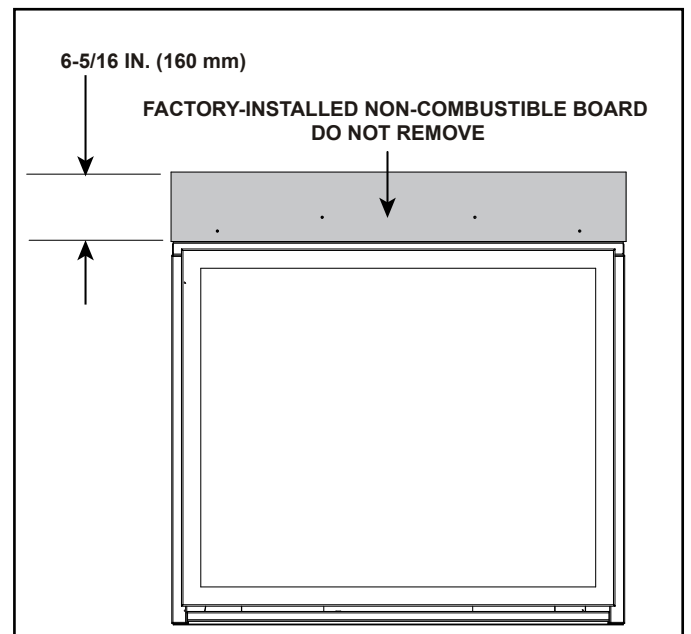


Figure 6.15 Non-Combustible Board - Studio Decorative Barrier Front Shown



# 7 Venting

## A. Assemble Vent Sections (DVP Pipe Only)

**WARNING! Risk of Fire or Explosion!** Vent sections *MUST* be installed correctly. Improperly installed vent sections could leak or cause appliance to overheat.

### Attach Vent to the Firebox Assembly

**Note:** The end of the pipe sections with the lanced tabs will face toward the appliance.

Attach the first pipe section to the starting collar:

- Lanced pipe end of the starting collar.
- Inner pipe over inner collar.
- Push the pipe section until all lanced tabs snap in place.
- Lightly tug on pipe to confirm it has locked.

**Required: Commercial, Multi-family (Multi-level exceeding two stories), or High-Rise Applications**

**Recommended: Vent Configurations with five or more pipe joints/pipe connections**

**WARNING! Risk of Fire or Explosion! DO NOT** break silicone seals on slip sections. Use care when removing termination cap from slip pipe. If slip section seals are broken during removal of the termination cap, vent could leak.

All outer pipe joints must be sealed using one of the methods below, including the slip section that connects directly to the horizontal termination cap.

- Apply a bead of silicone sealant (300 °F (149 °C) minimum continuous exposure rating) inside the female outer pipe joint prior to joining sections. See Figure 7.1 **OR**
- Apply a bead of silicone sealant (300 °F (149 °C) minimum continuous exposure rating) to the outside of connecting joint after joining sections **OR**

Apply aluminum foil tape (300 °F (149 °C) minimum continuous exposure rating) to the outside of connecting joint after joining sections. On horizontal pipe runs, it is recommended that the tape seam is positioned on the bottom side of the vent pipe.

- Only outer pipes need to be sealed. All unit collar, pipe, slip section, elbow and cap outer flues shall be sealed in this manner, unless otherwise stated.

## Assemble Pipe Sections

Per Figure 7.2:

- Start the inner pipe on the lanced end of section A into the flared end of section B.
- Start the outer pipe of section A over the outer pipe of section B.
- Once both vents sections are started, push firmly until all lanced tabs lock into place.
- Lightly tug on the pipe to confirm the tabs have locked.

It is acceptable to use screws no longer than 1/2 in. (13 mm) to hold outer pipe sections together. If predrilling holes, **DO NOT** penetrate inner pipe.

For 90° and 45° elbows that are changing the vent direction from horizontal to vertical, one screw minimum should be put in the outer flue at the horizontal elbow joint to prevent the elbow from rotating. Use screws no longer than 1/2 in. (13 mm). If predrilling screw holes, **DO NOT** penetrate inner pipe.



Figure 7.1 High Temperature Silicone Sealant

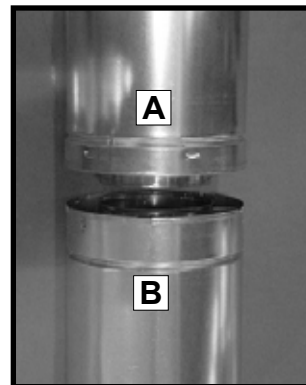


Figure 7.2

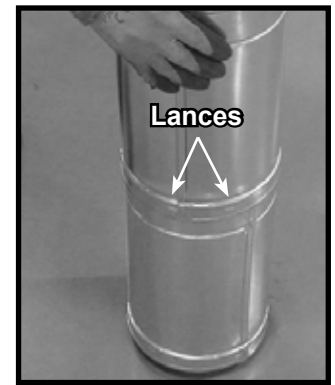
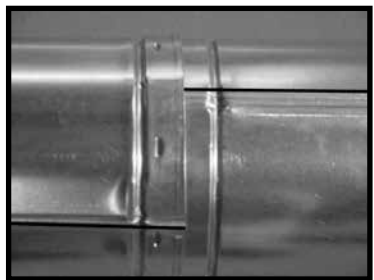
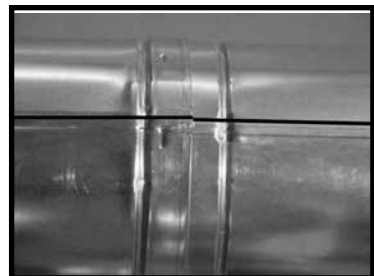


Figure 7.3

**Note:** Make sure that the seams are not aligned to prevent unintentional disconnection.



**CORRECT**



**INCORRECT**

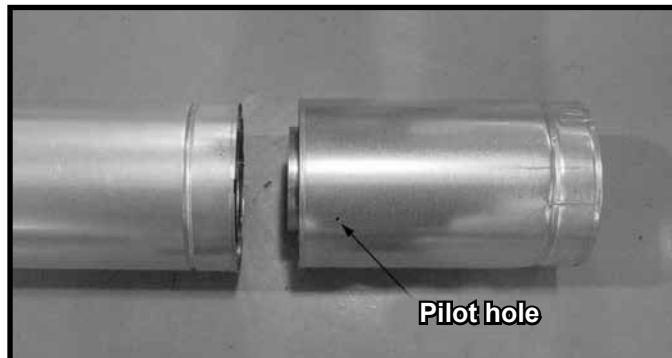
**Figure 7.4 Seams**

**NOTICE:** When installing a vent system with an HRC termination cap, all pipe system joints shall be sealed using a high temperature silicone sealant (300 °F (149 °C) minimum continuous exposure rating).

- Apply a bead of silicone sealant (300 °F (149 °C) minimum continuous exposure rating) inside the female outer pipe joint prior to joining sections.
- Only outer pipes are sealed, sealing the inner flue is not required.
- All unit collar, pipe, slip section, elbow and cap outer flues shall be sealed.

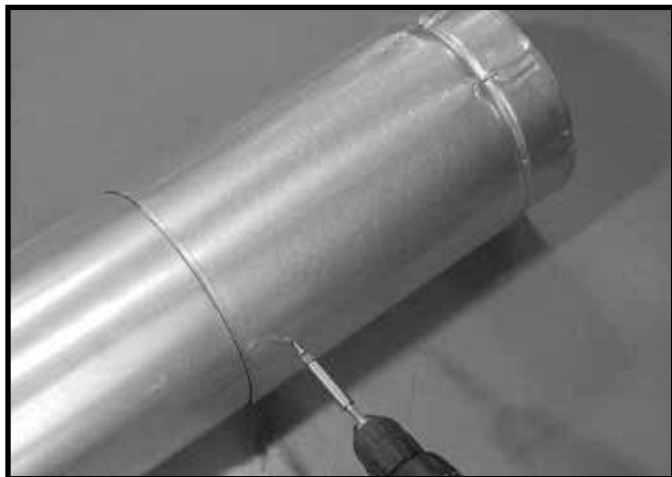
## B. Assemble Slip Sections

- Slide the inner flue of the slip section into the inner flue of the pipe section and the outer flue of the slip section over the outer flue of the pipe section. See Figure 7.5.
- Slide together to the desired length.



**Figure 7.5 Slip Section Pilot Holes**

- Maintain a 1-1/2 in. (38 mm) overlap between the slip section and the pipe section.
- Secure the pipe and slip section with two screws no longer than 1/2 in. (13 mm), using the pilot holes in the slip section. See Figure 7.6.



**Figure 7.6 Screws into Slip Section**

- Continue adding pipe as necessary following instructions in “Assembling Pipe Sections.”

**NOTICE:** If slip section is too long, the inner and outer flues of the slip section can be cut to the desired length.

### C. Secure the Vent Sections

**WARNING! Risk of Fire, Explosion or Asphyxiation!** Improper support could allow vent to sag and separate. Use vent run supports and connect vent sections per installation instructions. **DO NOT** allow vent to sag below connection point to appliance.

- Vertical runs originating off the top of the appliance, with no offsets, must be supported every 8 feet (2.44 m) after the maximum allowed 25 feet (7.62 m) of unsupported rise.
- Vertical runs originating off the rear of the appliance, or after any elbow, must be supported every 8 feet (2.44 m).
- Horizontal runs must be supported every 5 feet (1.52 m).
- Vent supports or plumbers strap (spaced 120° apart) may be used to support vent sections. See Figures 7.7 and 7.8.

**Note:** Figures 7.7 and 7.8 are to be used for reference only. Method of strap installation could vary by configuration of vent system.

- Wall shield firestops may be used to provide horizontal support to vent sections.

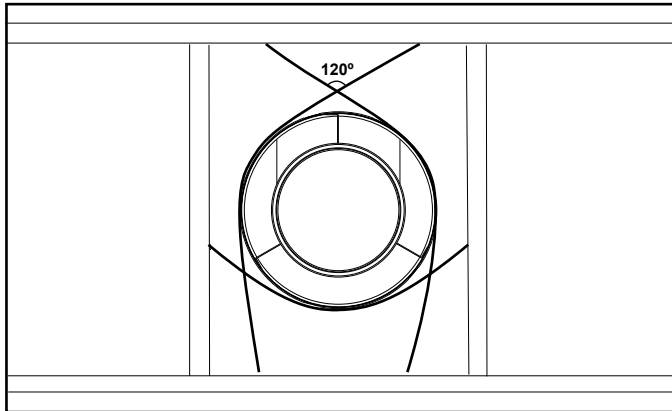


Figure 7.7 Securing Vertical Pipe Sections

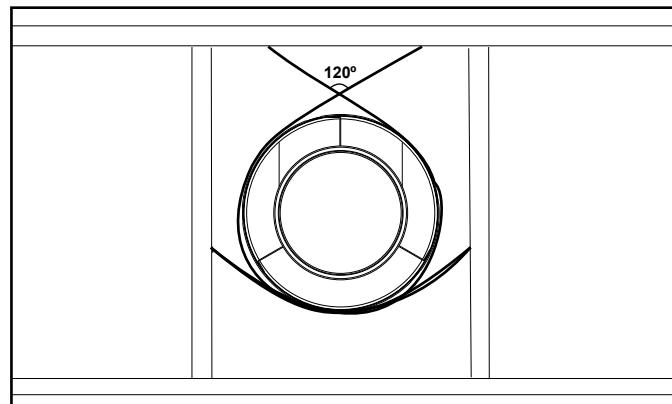


Figure 7.8 Securing Horizontal Pipe Sections

### D. Disassemble Vent Sections

- Rotate either section (see Figure 7.9) so the seams on both pipe sections are aligned as shown in Figure 7.10.
- Pull carefully to separate the pieces of pipe.

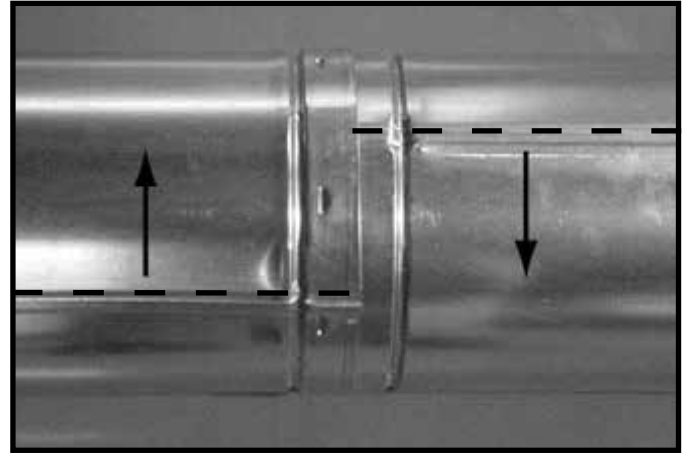


Figure 7.90 Rotate Seams for Disassembly

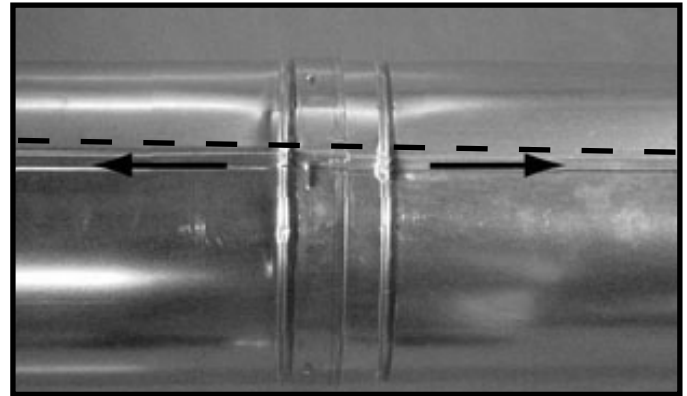


Figure 7.10 Align and Disassemble Vent Sections

## E. Vertical Termination Requirements

### Install and Seal Metal Roof Flashing

- See minimum vent heights for various pitched roofs (Section 4, Figure 4.1) to determine the length of pipe to extend through the roof.
- Slide the roof flashing over the pipe sections extending through the roof as shown in Figure 7.11.
- Use an elastomeric or silicone sealant with a minimum of 150 °F temperature rating to seal the metal roof flashing.

**Note:** When installing a silicone or EPDM pipe flashing boot on a metal roof, it is recommended to put a bead of 100% silicone sealant where the boot contacts the vent pipe to prevent the entry of water. Follow the manufacturer's recommendations when installing the boot. Climate regions with frequent temperatures below - 50 °F (-45.6 °C) should use a silicone flashing boot.

**NOTICE:** Failure to properly-seal the roof flashing and pipe seams could permit entry of water.

- Seal the gap between the roof flashing and the outside diameter of the pipe.
- Seal the perimeter of the flashing where it contacts the roof surface. See Figure 7.11.
- Seal the exposed pipe section seams that are located above the roof.

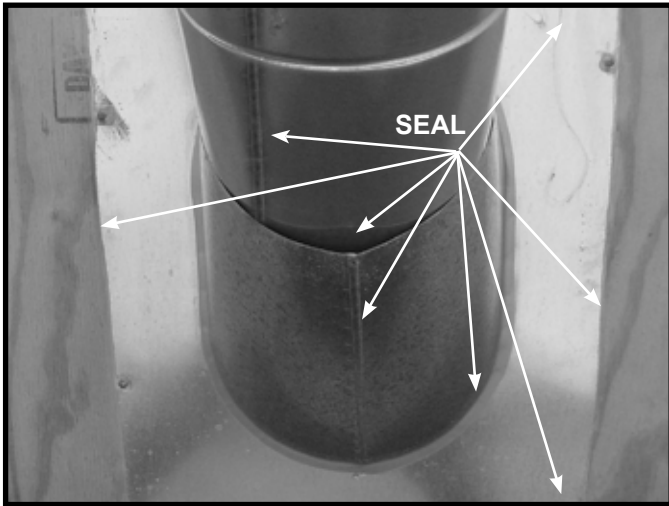


Figure 7.11

### Assemble and Install Storm Collar

**CAUTION! Risk of Cuts, Abrasions or Flying Debris.** Wear protective gloves and safety glasses during installation. Sheet metal edges are sharp.

- Slide the storm collar onto the exposed pipe section and align brackets.
- Insert a bolt (provided) through the brackets and install nut. Do not completely tighten.



Figure 7.12 Insert Bolt into Brackets

- Slide the assembled storm collar down the pipe section until it rests on the roof flashing. See Figure 7.12.
- Tighten nut and make sure the collar is tight against the pipe section.
- Seal around the top of the storm collar. See Figure 7.13.

### Install Vertical Termination Cap

- Attach the vertical termination cap by sliding the inner collar of the cap into the inner flue of the pipe section while placing the outer collar of the cap over the outer flue of the pipe section.
- Secure the cap by driving three self-tapping screws (supplied) through the pilot holes in the outer collar of the cap into the outer flue of the pipe. See Figure 7.13.

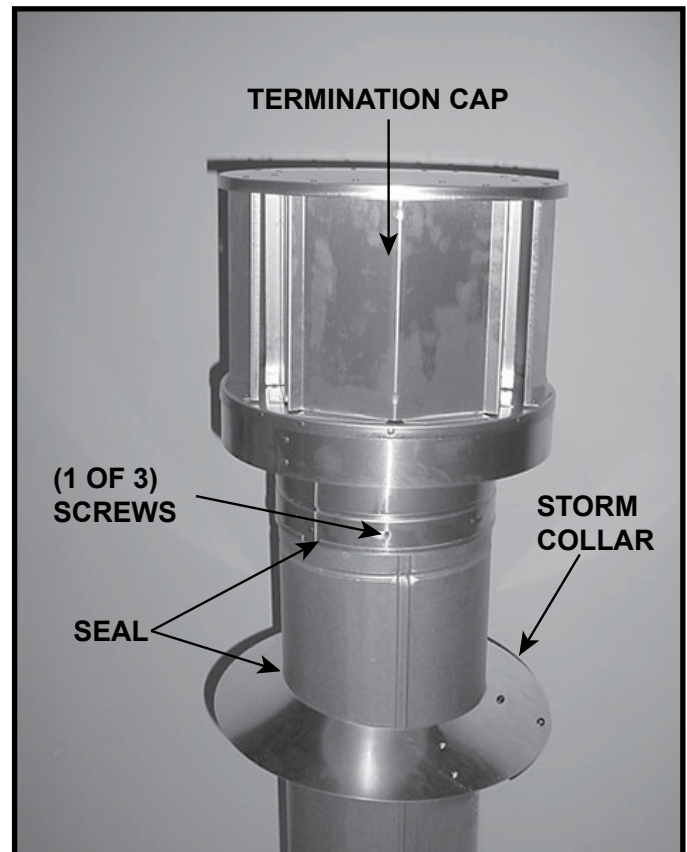


Figure 7.13

## F. Horizontal Termination Requirements

### Heat Shield Requirements for Horizontal Termination

**WARNING! Risk of Fire!** To prevent overheating and fire, heat shields must extend through the entire wall thickness.

- **DO NOT** remove the heat shields attached to the wall shield firestop and the horizontal termination cap (shown in Figure 7.14).
- Heat shields must overlap 1-1/2 in. (38 mm) minimum.

There are two sections of the heat shield. One section is factory-attached to the wall shield firestop. The other section is factory-attached to the cap. See Figure 7.14.

If the wall thickness does not allow the required 1-1/2 in. (38 mm) heat shield overlap when installed, an extended heat shield must be used.

- If the wall thickness is less than 4 in./102 mm (DVP), the heat shields on the cap and wall shield firestop must be trimmed. A minimum 1-1/2 in. (38 mm) overlap MUST be maintained.
- Use an extended heat shield if the finished wall thickness is greater than 7-1/4 in. (184 mm).
- The extended heat shield may need to be cut to length maintaining sufficient length for a 1-1/2 in. (38 mm) overlap between heat shields.
- Attach the extended heat shield to either of the existing heat shields using the screws supplied with the extended heat shield. Refer to vent components diagrams in the back of this manual.
- Rest the small leg on the extended heat shield on top of the pipe section to properly space it from the pipe section.

**Important Notice:** Heat shields may not be field constructed.

### Install Horizontal Termination Cap

**WARNING! Risk of Fire!** The telescoping flue section of the termination cap **MUST** be used when connecting vent.

- 1-1/2 (38 mm) minimum overlap of flue telescoping section is required.

Failure to maintain overlap could cause overheating and fire.

- Vent termination must not be recessed in the wall. Siding may be brought to the edge of the cap base.
- Flash and seal as appropriate for siding material at outside edges of cap.

**CAUTION! Risk of Burns!** Local codes may require installation of a cap shield to prevent anything or anyone from touching the hot cap.

**NOTICE:** For certain exposures which require superior resistance to wind-driven rain penetration, a flashing kit and HRC caps are available. When penetrating a brick wall, a brick extension kit is available for framing the brick.

**Note:** When using termination caps with factory-supplied heat shield attached, no additional wall shield firestop is required on the exterior side of a combustible wall.

### DVP-TRAP1 Exception

See Section 3.C for DVP-TRAP1 exception for top vent, horizontally terminated installation.

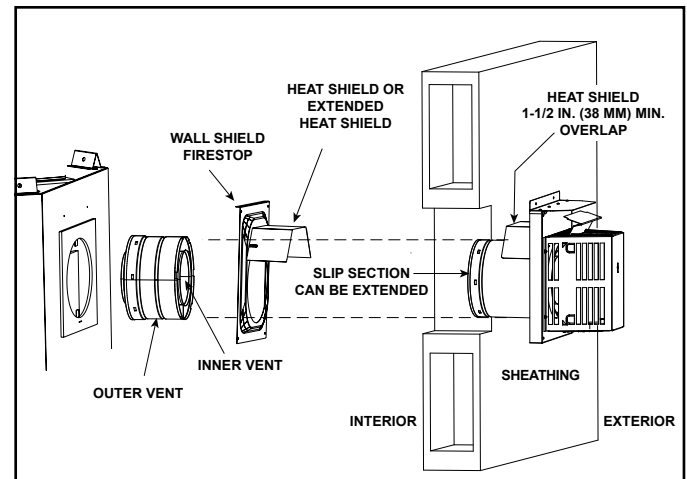


Figure 7.14 Venting Through the Wall

# 8 Electrical Information

---

## A. General Information

**WARNING! Risk of Shock or Explosion! DO NOT** wire 220/240 VAC to the valve or to the appliance wall switch. Incorrect wiring will damage controls.

- Wire the appliance junction cord to unswitched 220/240 VAC. This is required for proper operation of the appliance.
- A 220/240 VAC circuit for this product must be protected with ground-fault circuit-interrupter protection, in compliance with the applicable electrical codes, when it is installed in locations such as in bathrooms or near sinks.
- Low voltage and 220/240 VAC voltage cannot be shared within the same wall box.

## Electrical Service and Repair

**WARNING! Risk of Shock!** Label all wires prior to disconnection when servicing controls. Wiring errors can cause improper and dangerous operation. Verify proper operation after servicing.

**WARNING! Risk of Shock!** Replace damaged wire with type 105 °C rated wire. Wire must have high temperature insulation.

## Accessories Requirements

- This appliance may be used with a wall switch, wall mounted thermostat and/or a remote control.

Wiring for optional Hearth & Home Technologies approved accessories should be done now to avoid reconstruction. Follow instructions that come with those accessories.

## Wire Management

Proper wire management is required for proper operation of the appliance. Component damage could occur if electrical cords and/or wires contact the firebox. Ensure wires are not contacting the firebox.

**NOTICE:** Verify proper wire management prior to operation of the appliance. Component damage could occur.

- Verify electrical wire connections.
- Ensure wires **DO NOT** contact firebox.

## B. Wiring Requirements

### IntelliFire™ Plus Ignition System Wiring

- Wire the appliance junction cord to 220/240 VAC for proper operation of the appliance.

**WARNING! Risk of Shock or Explosion! DO NOT wire IPI controlled appliance junction cord to a switched circuit. Incorrect wiring will override IPI safety lockout.**

- Refer to Figure 8.1, IPI Wiring Diagram.
- This appliance is equipped with an IntelliFire™ Plus control valve which operates on a 6 volt/1.5 AMP system.
- Plug the 6 volt transformer plug into the appliance junction cord to supply power to the unit OR install 4 AA cell batteries (not included) into the battery pack before use.

**NOTICE:** Batteries should only be used as a power source in the event of an emergency power outage. Batteries should not be used as a primary long-term power source. Battery polarity must be correct when installing batteries. When using batteries as a power source, the 6-volt transformer must be unplugged from the receptacle.

Do not store batteries in the battery pack when the appliance is powered by the 6 volt transformer connected to permanent electrical service.

## Accessories Requirements

- This appliance ships standard with a remote control.

Wiring for optional Hearth & Home Technologies approved accessories should be done now to avoid reconstruction. Follow instructions that come with those accessories.

The junction cord, control module, LED power supply and wall switch receiver can be accessed by removing the vanity panel and component heat shield. The decorative front must be removed to access these components. See Figure 8.1.

**CAUTION! Risk of Overheating! Component heat shield MUST be installed before operating appliance. Electrical components will be damaged.**

**CAUTION! Risk of Overheating! DO NOT remove component insulation from top of component heat shield. Electrical components will be damaged.**

**Note:** When using PVLP-SLP-AU power vent, see PVLP-SLP-AU instructions for additional wiring requirements.

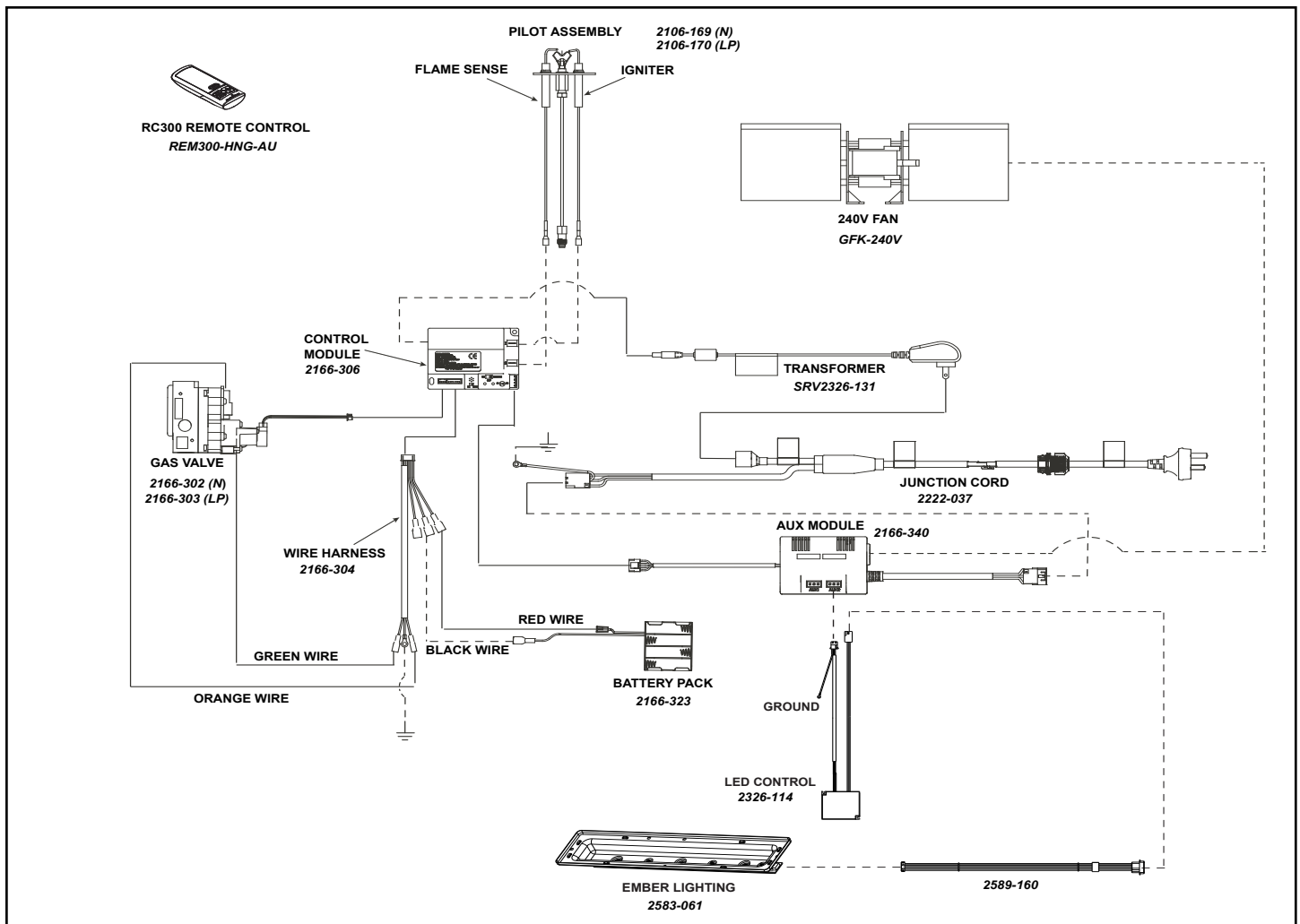


Figure 8.1 IntelliFire® Plus Wiring Diagram with Remote

## C. Service for Fan

If appliance is already installed, service should be performed by a qualified service technician.

- Remove decorative barrier front, glass, logs, base pan assembly, burner assembly and valve plate assembly.
- Service can be performed through the valve plate cavity. See Figure 8.2.
- Reinstall valve plate assembly, burner assembly, basepan assembly, logs, appliance glass and decorative barrier front.

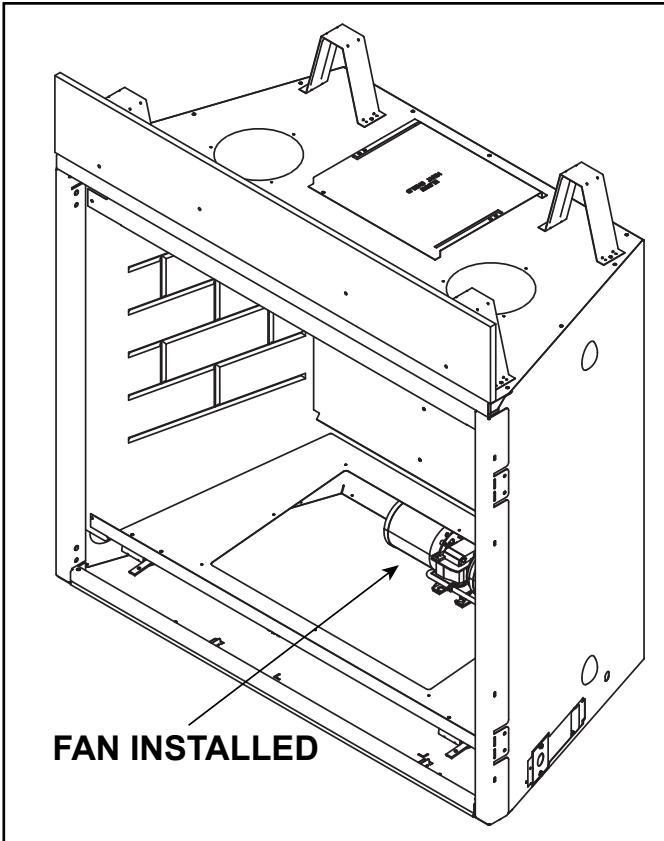


Figure 8.2 Fan Installed in Valve Plate Cavity




# 9 Gas Information

## A. Fuel Conversion

- Make sure the appliance is compatible with available gas types.
- Conversions must be made by a qualified service technician using Hearth & Home Technologies specified and approved parts.

## B. Gas Pressure

<b>▲ WARNING</b>	
	<p>Fire Risk. Explosion Hazard. High pressure will damage valve.</p> <ul style="list-style-type: none"> <li>• Disconnect gas supply piping BEFORE pressure testing gas line at test pressures above 3.40 KPa (1/2 psig).</li> <li>• Close the manual shutoff valve BEFORE pressure testing gas line at test pressures equal to or less than 3.40 KPa (1/2 psig).</li> </ul>

**WARNING! Risk of Explosion!** An in-line regulator MUST be installed if the gas pressure exceeds 3.4 kPa. Failure to install a regulator could damage valve.

Pressure requirements for 6KX-AU fireplaces are shown in the table below.

Two taps are provided on the right hand side of the gas control for a test gauge connection to measure the inlet and outlet pressures.

The fireplace and its individual shut-off valve must be disconnected from the gas supply piping system during any pressure testing of the system at test pressures in excess of 6 kPa.

If the fireplace must be isolated from the gas supply piping system by closing an individual shut-off valve, it must be of the handle-less type.

- Optimum appliance performance requires proper input pressures.
- Pressure requirements are:

Gas Pressure	Natural Gas	Propane	ULPG
Minimum inlet pressure	1.13 KPa	2.75 KPa	2.75 KPa
Maximum inlet pressure	3.40 KPa	3.40 KPa	3.40 KPa
Manifold pressure	.87 KPa	2.49 KPa	2.49 KPa

**WARNING! Risk of Fire or Explosion!** High pressure will damage valve. Low pressure could cause explosion.

- Elongated pressure taps are recommended for gas pressure testing on these models.
- Verify inlet pressures. Verify minimum pressures when other household gas appliances are operating.
- Install regulator upstream of valve if line pressure is greater than 3.40 KPa.

## C. Gas Service Access

**Note:** This appliance does include a manual gas shutoff valve that is located in the valve compartment. This manual gas shutoff valve is accessible for service by removing the decorative front. The valve is most accessible if it is located forward in the control cavity of the appliance.

Depending upon local code, an additional manual gas shutoff, in a readily accessible area may be required and located upstream from the appliance.

## D. Gas Connection

**Note:** Have the gas supply line installed in accordance with local building codes by a qualified installer approved and/or licensed as required by the locality.

**Note:** Before the first firing of the appliance, the gas supply line should be purged of any trapped air.

**Note:** Consult local building regulations to properly size the gas supply line leading to the (Rp 1/2 in.) hook-up at the unit.

Incoming gas line should be piped into the valve compartment and connected to the ISO 7-Rp 1/2 (BSP Rp 1/2) threaded gas inlet connection on the manual shutoff valve.

**IMPORTANT NOTICE: (Items 1, 2 and 3 applies to ALL Heat & Glo gas appliances)**

1. **1/2 in. GAS LINE:** Run through cavity 70 mm above finished hearth level, **NOT RIGID, NOT CLIPPED**, with minimum 500 mm into cavity and 120 mm back from plaster face.
2. **PVC (COMPOSITE) GASLINE** must terminate minimum 500 mm short of gas heater. Copper pipe **MUST** be the final connection to the gas heater.
3. **ISOLATING SWITCH:** Location within 1 metre of fireplace, subject to mantelpiece etc. Check to ensure it remains clear of any mantelpiece installation.

Leak test all gas line points and the gas control valve prior to and after starting the gas appliance.

- Refer to Section 3 for location of gas line access in appliance.
- The bottom surround for this appliance may be removed to gain access to the control cavity for ease of access during the gas connection process. See Figure 9.1.
- Gas line may be run through knockout(s) provided.
- The gap between supply piping and gas access hole may be sealed with caulk or aluminum foil tape with a minimum of 300 °F continuous exposure rating or stuffed with non-combustible, unfaced insulation to prevent cold air infiltration.
- Ensure that gas line does not come in contact with outer wrap of the appliance. Follow local codes.
- Pipe incoming gas line into valve compartment.
- Connect incoming gas line to the 1/2 in. (13 mm) NPT connection on manual shutoff valve.

**WARNING! Risk of Fire or Explosion!** Support control when attaching pipe to prevent bending gas line.

**WARNING! Risk of Fire or Explosion!** Gas build-up during line purge could ignite.

- A small amount of air will be in the gas supply lines.
- Ensure adequate ventilation.
- Ensure there are no ignition sources such as sparks or open flames.

Light the appliance. It will take a short time for air to purge from lines. When purging is complete the appliance will light and operate normally.

**WARNING! Risk of Fire, Explosion or Asphyxiation!** Check all fittings and connections with a non-corrosive commercially available leak-check solution. **DO NOT** use open flame. Fittings and connections could have loosened during shipping and handling.

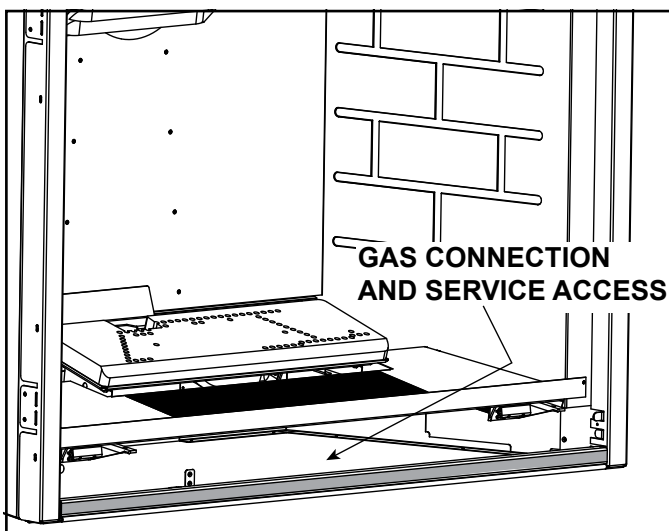


Figure 9.1 Bottom Surround Removal

## E. High Altitude Installations

**NOTICE:** If the heating value of the gas has been reduced, these rules do not apply. Check with your local gas utility or authorities having jurisdiction.

When installing above 2000 ft. (610 m) elevation:

Reduce input rate 4% for each 1000 ft. (305 m) above 2000 ft. (610 m).

## F. Air Shutter Setting

**WARNING! Risk of Explosion or Delayed Ignition!** Improperly adjusted air shutter could cause soot buildup.

**CAUTION! Risk of Burns!** Components are HOT! Wear protective gloves when adjusting shutter.

**NOTICE:** If sooting occurs, provide more air by opening the air shutter.

Air shutter settings should be adjusted by a qualified service technician at the time of installation. The air shutter is set at the factory for a typical minimum vent run which consists of enough horizontal to vent pipe terminate through a 2x6 (51x152 mm) wall:

Top Vented with one 90 degree elbow and DVP-TRAP2 termination cap for Natural Gas or Rear Vented with the DVP-TRAP2 termination cap. It may need to be adjusted for other venting scenarios up to full open.

**Adjust air shutter for different vent runs.**

**See Figure 9.2.**

- Loosen the wing nut.
- Move the air handle to the right to open the air shutter.
- Move the air handle to the left to close the air shutter.
- Tighten the wing nut.

## Shutter Setting Verification / Flame Appearance

- After 15 minutes, the flames will be a yellow/blue mix. The front flames may be blue at this time.
- After 30 minutes, the flames should be yellow with some blue flames near the burner ports.
- After 1 hour, the flame will be at its maximum maturity.

**NOTICE:** Flames should not appear orange or stretch to the top refractory/ top of firebox. If flames are dark orange with dark, smoky tips, provide more primary air to the burner by opening the air shutter accordingly.

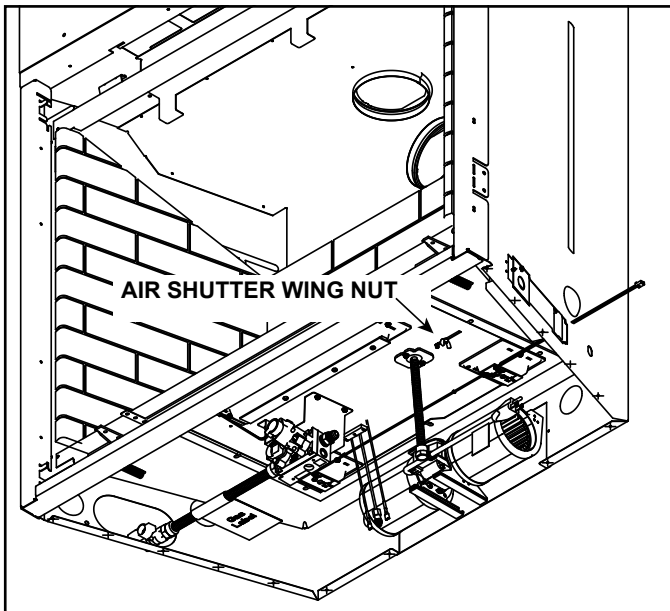


Figure 9.2 Air Shutter

### Air Shutter Settings

MODEL	GAS TYPE	SHUTTER SETTING	
		Min Vent Run	*Max Vent Run
6KX-AU	Natural	5/8 in. (16 mm)	Full Open
	Propane	3/4 in. (19 mm)	Full Open
	ULPG	Full Open	Full Open

\* As tested 3 ft. (914 mm) out of rear vent, 90 degree verticle elbow, 2 ft. (610 mm) horizontal, 90 degree horizontal elbow, 1 ft. (309 mm) horizontal and a DVP-TRAP2 termination cap.

## G. Service/Replace Appliance Gas Valve

- See Figure 9.3.
- Remove decorative barrier front, glass, logs, base pan assembly, burner assembly and valve plate assembly. See Figure 9.3.
- Perform service or replace gas valve.
- Reinstall valve plate assembly, burner assembly, basepan assembly, logs and appliance glass and front.

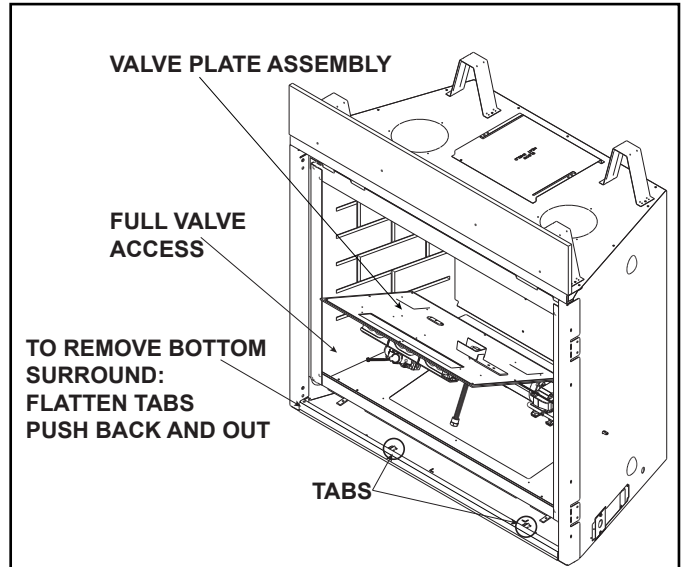


Figure 9.3 Gas Valve Access

# 10 Finishing

## A. Facing Material

### ▲ WARNING

#### Risk of Fire!

**DO NOT** apply combustible materials beyond the minimum clearances. Comply with all minimum clearances to combustibles as specified in this manual. Materials overlapping into non-combustible zones could ignite and will interfere with air flow through decorative barrier fronts.

- Metal front of appliance may be covered with non-combustible materials only.
- Facing and/or finishing materials must not interfere with air flow through decorative barrier fronts, removal of decorative barrier fronts or access for service.
- Facing and/or finishing materials must never overhang into the glass opening.
- Observe all clearances when applying combustible materials.
- Seal gaps between the finished wall and appliance top and sides using a 300 °F (149 °C) minimum sealant. Refer to Figure 10.1 and Figure 10.2.
- Finishing materials must be installed with no gaps in order to prevent the escape of heat between the finishing material and the wall. See Figure 10.2.

**NOTICE:** Surface temperatures around the appliance will become warm while the appliance is in operation. Ensure finishing materials used for all surfaces (floor, walls, mantels, etc.) will withstand temperatures up to 190° F (88° F).

**WARNING! Risk of Overheating! DO NOT** allow gap between finishing materials and front of appliance.

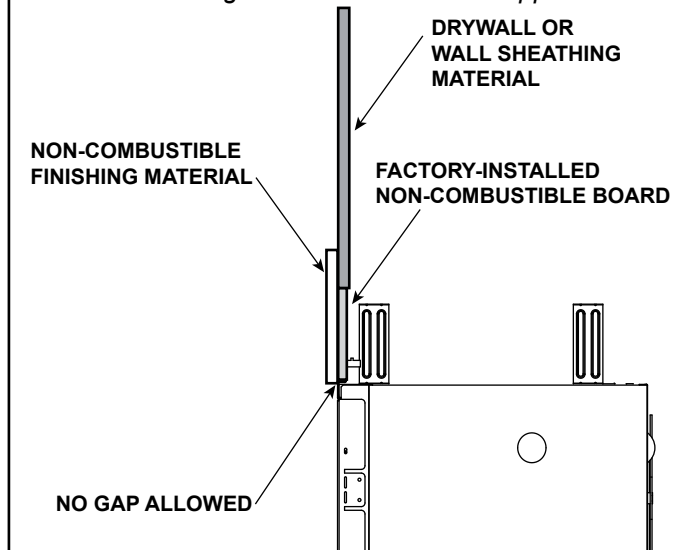


Figure 10.1 Finishing Material Installed

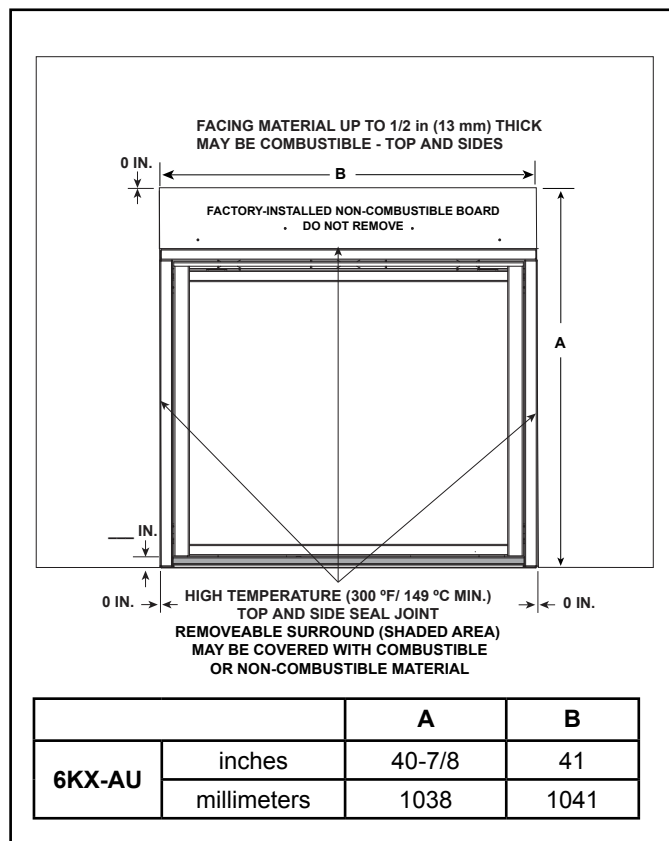


Figure 10.2 Non-combustible Facing Diagram

**WARNING! Risk of Overheating! DO NOT** install combustible or non-combustible flooring or hearth material above top of bottom surround. Gap between bottom of decorative front and top of bottom surround must be maintained for proper air flow.

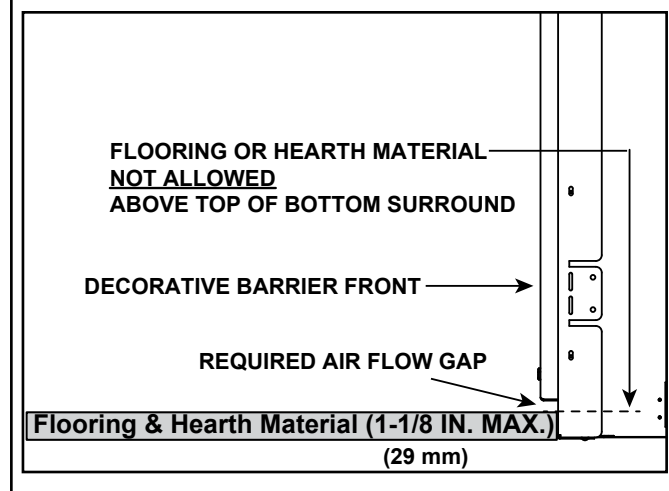


Figure 10.3 Required Air Flow Gap

## B. Installing a Television

If installing a television (TV) above the appliance, see Section 2.B.

## C. Mantel and Wall Projections

**WARNING! Risk of Fire!** Comply with all minimum clearances as specified. Mantel **MUST** be fastened to wall with no gaps.

- Framing closer than the minimums listed must be constructed entirely of non-combustible materials (i.e., steel studs, concrete board, etc.).
- No gaps allowed between the wall and the bottom of the mantel.
- Combustible mantel legs and wall projections may be applied over the non-combustible board supplied with the appliance. Follow guidelines as shown in the figures below for mantels, mantel legs and wall projections.

**Note:** Measurement is taken from top/side of the opening, NOT the top/side of the appliance.

## Combustible Mantels - Passive Heat Installed

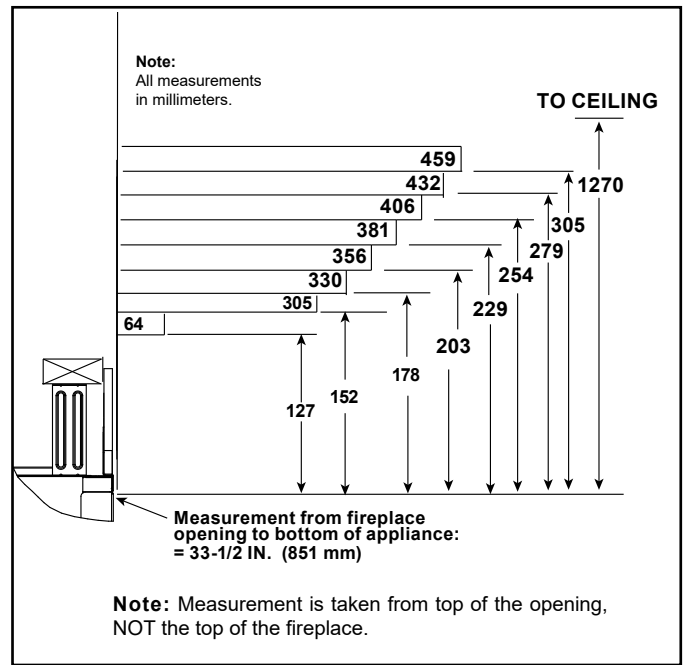


Figure 10.4 Minimum Vertical and Maximum Horizontal Dimensions of Combustibles - Passive Heat Kit Installed

## Combustible Mantels

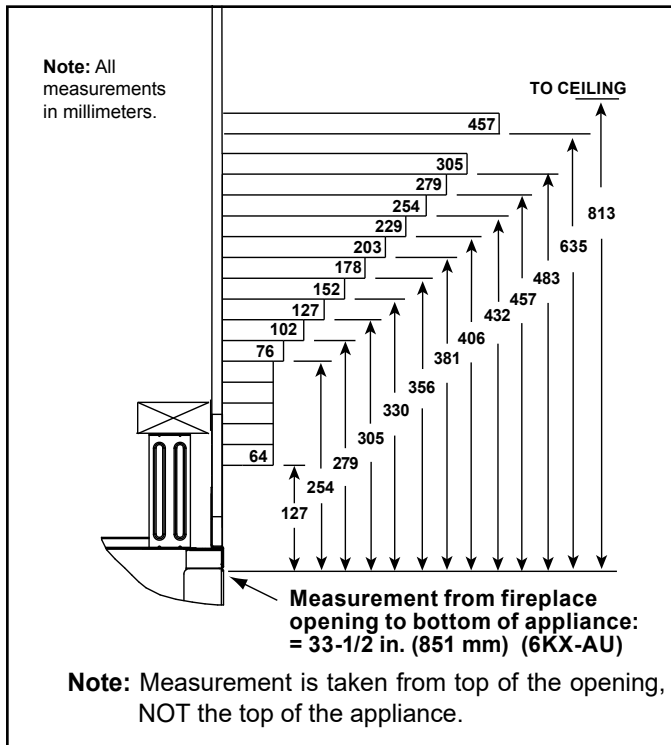


Figure 10.3 Minimum Vertical and Maximum Horizontal Dimensions of Combustibles or Painted Surfaces

## Non-Combustible Mantels

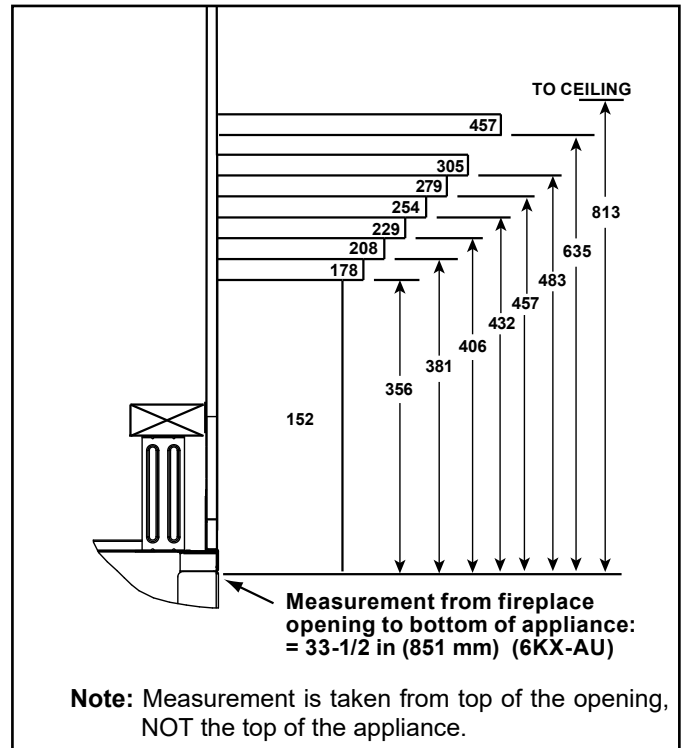


Figure 10.5 Minimum Vertical and Maximum Horizontal Dimensions of Non-Combustibles

### Non-Combustible Mantels - Passive Heat Installed

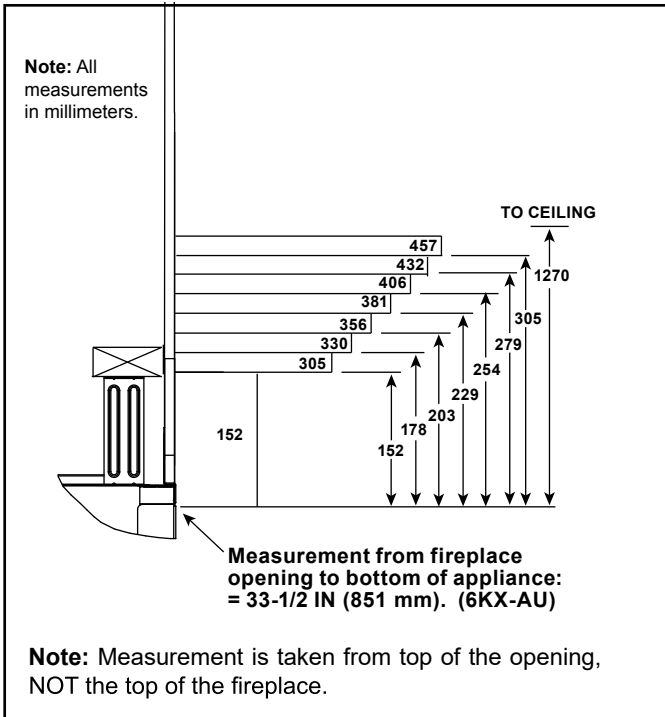


Figure 10.6 Minimum Vertical and Maximum Horizontal Dimensions of Non-Combustibles - Passive Heat Kit Installed

### Combustible Mantel Legs or Wall Projections

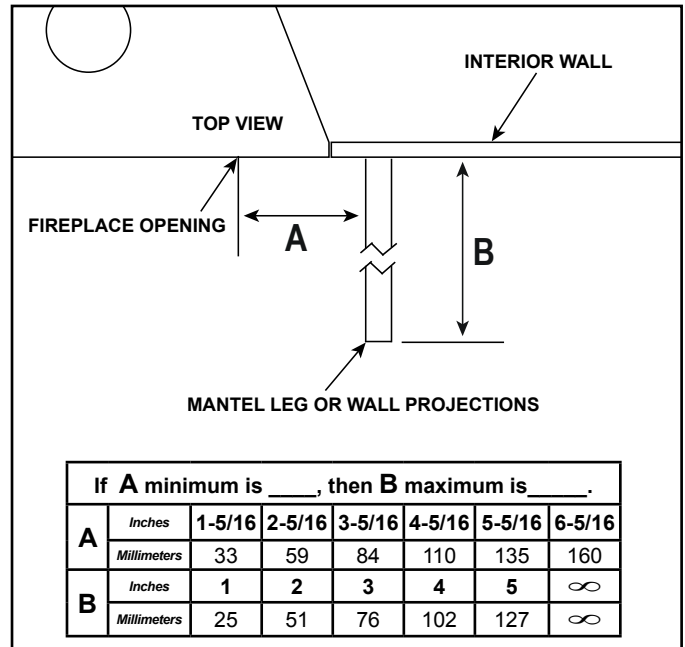


Figure 10.7 Combustible Mantel Leg or Wall Projections (Acceptable on both sides of opening)

### Non-Combustible Mantel Legs or Wall Projections

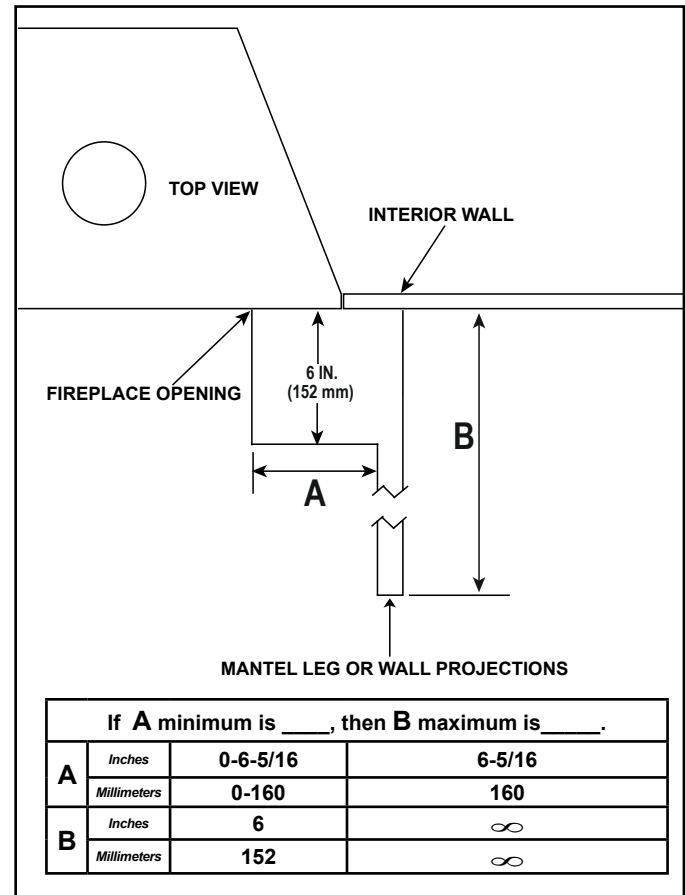
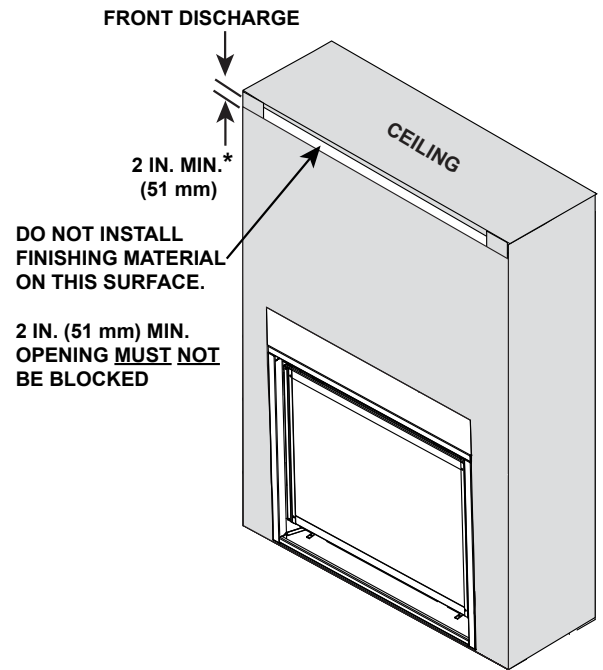
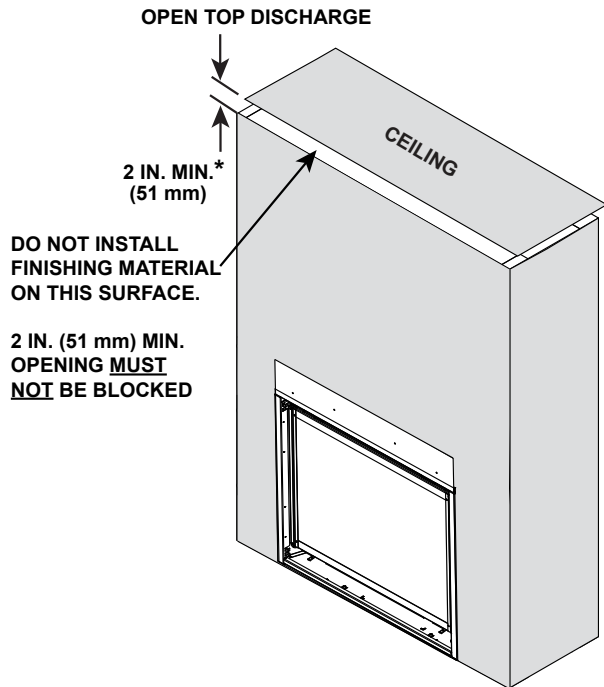


Figure 10.8 Non-Combustible Mantel Leg or Wall Projections (Acceptable on both sides of opening)

# Finishing Material Installed with Passive Heat Optional Heat Management System

 = COMBUSTIBLE MATERIAL ALLOWED



\* = Mesh screen required for front discharge or open top discharge passive heat installations with discharge opening of 3 in. (76 mm) or greater.

## SIDE DISCHARGE (DISCHARGE SLOTS ON BOTH SIDES OF APPLIANCE)

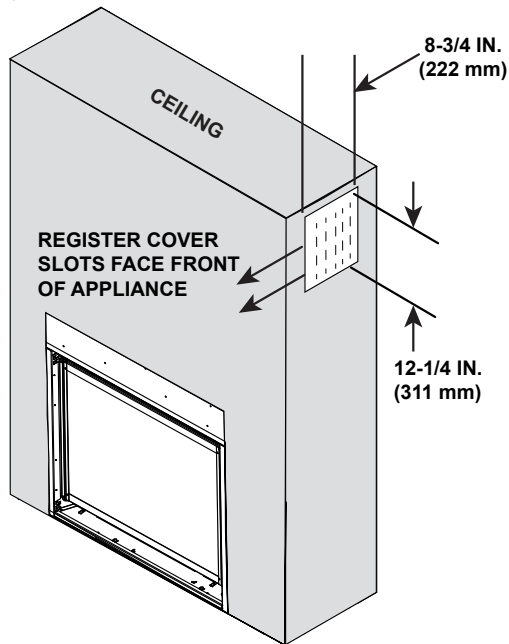


Figure 10.9 Finishing Material installed with Passive Heat Optional Heat Management System

## D. Hearth Extension

A hearth extension is not required with these models. Refer to Section 3 for clearances and information regarding vinyl flooring restrictions.

## E. Decorative Barrier Front Dimensions for Finishing

Only decorative barrier fronts certified for use with this appliance model may be used. Contact your dealer for a list of decorative barrier fronts that may be used.

### Decorative Barrier Front Fit Types

- Inside Fit as shown in Figure 10.10. Decorative barrier front fits inside appliance opening.
- Overlap fit as shown in Figure 10.11. Decorative barrier front is installed on top of finishing material.

**THE GUARD IS FITTED TO THIS APPLIANCE TO REDUCE THE RISK OF FIRE OR INJURY FROM BURNS AND NO PART OF IT SHOULD PERMANENTLY BE REMOVED. FOR PROTECTION OF YOUNG CHILDREN OR THE INFIRM, A SECONDARY GUARD IS REQUIRED.**

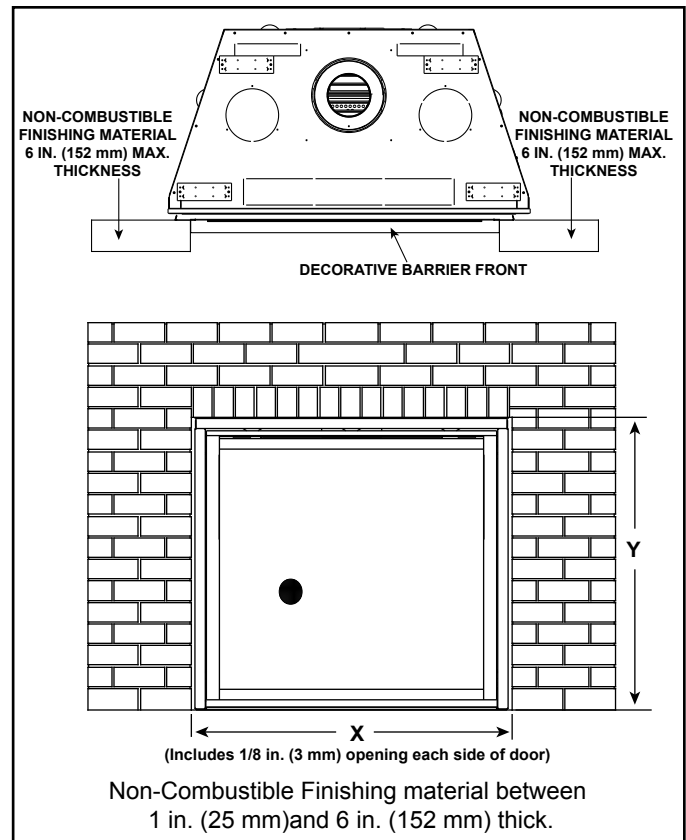


Figure 10.10 Inside Fit Decorative Barrier Front

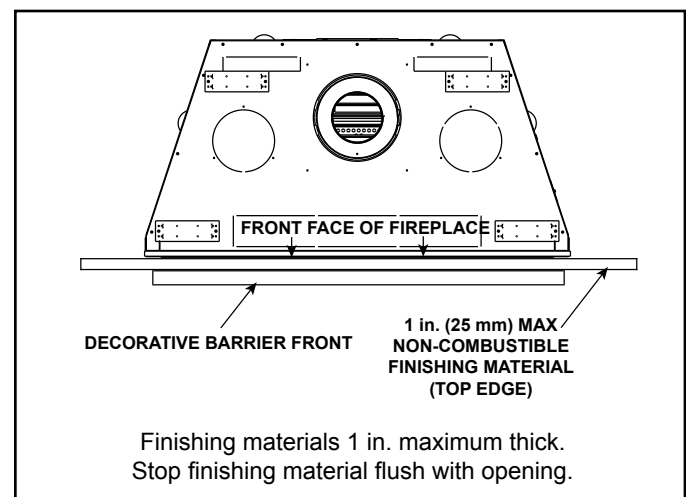
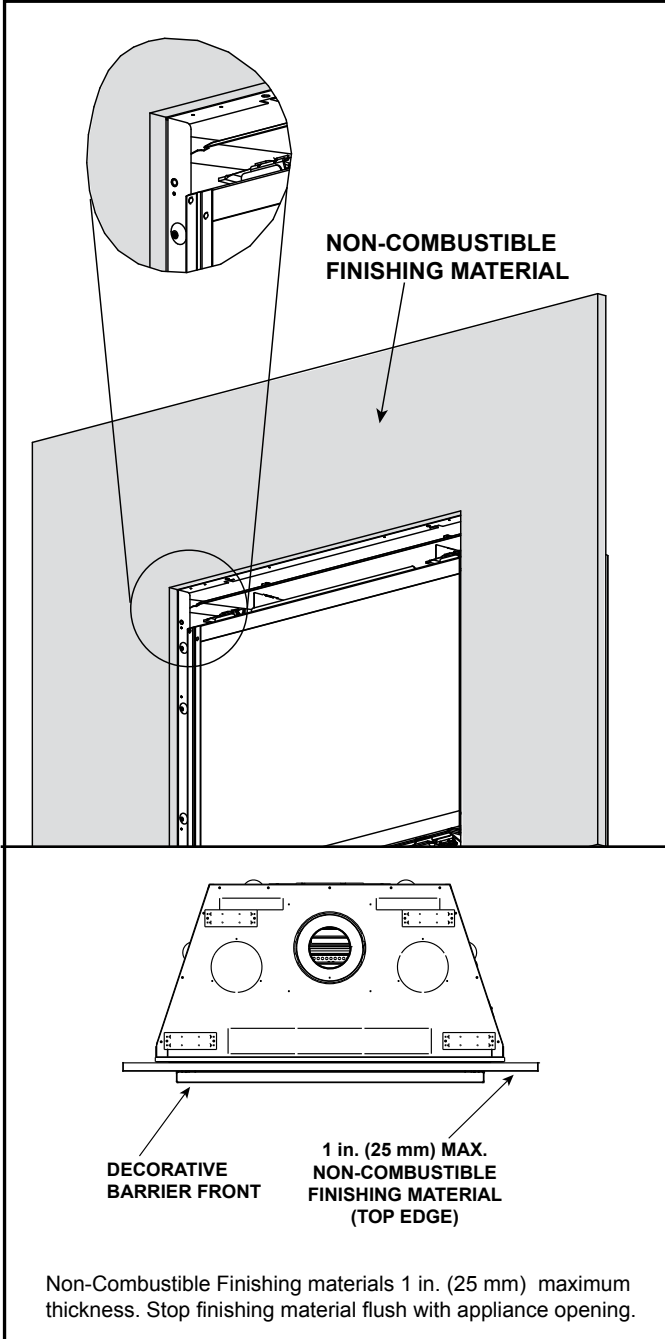


Figure 10.11 Overlap Fit Decorative Barrier Front



**1. A Overlap Fit Method with Overlap Fit Front**  
**FINISHING STRIPS NOT REQUIRED**  
**Non-combustible Finishing Material Thickness:**  
**1 Inch (25 mm) Thick or Less**

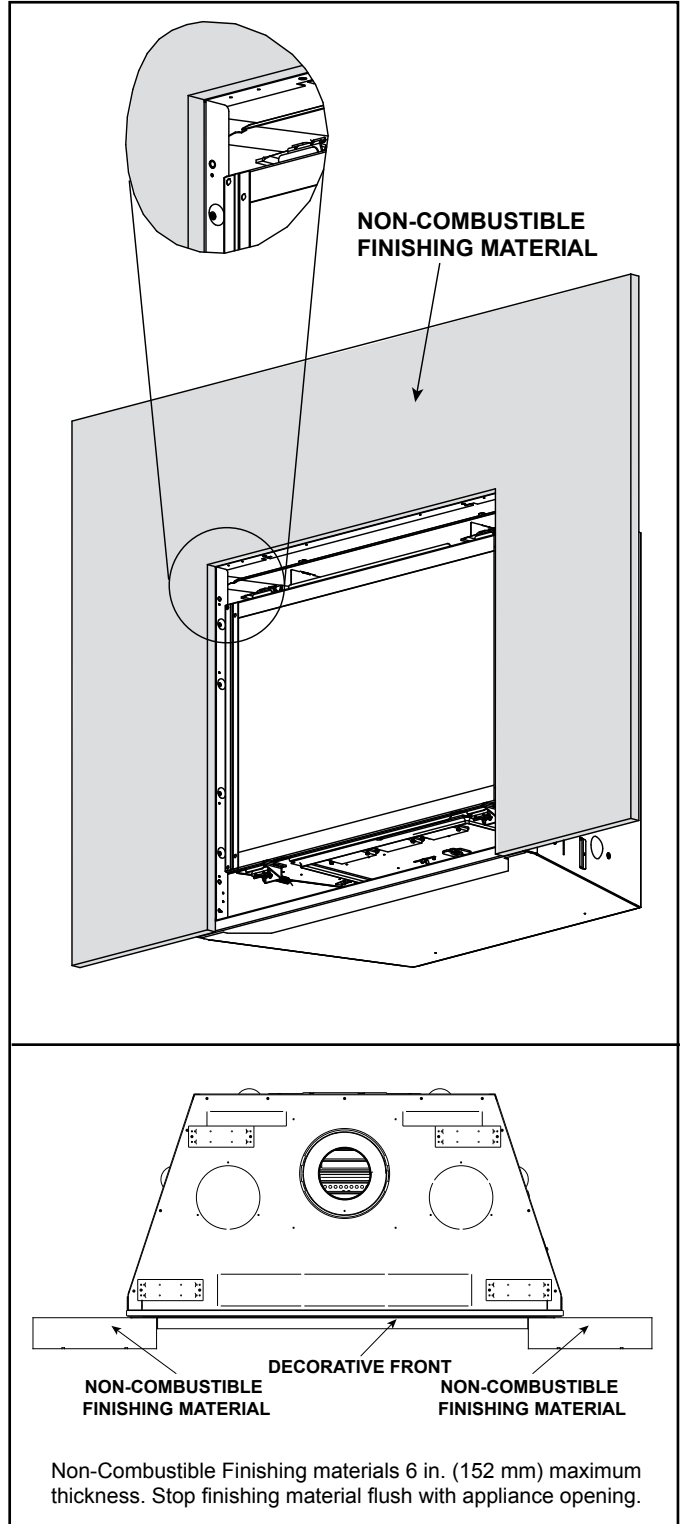
DECORATIVE BARRIER FRONT	FIT OPTION
LOFT	Overlap
FORGE	Overlap
CHAPEL	Overlap



**Figure 10.12 Non-Combustible Finishing Material 1 In. (25 mm) Thick or Less - Overlap Fit Fronts**

**1. B Inside Fit Method with Inside Fit Front**  
**FINISHING STRIPS NOT REQUIRED**  
**Non-Combustible Finishing Material Thickness:**  
**0-6 Inches (0-152 mm) Maximum**

DECORATIVE BARRIER FRONT	FIT OPTION
FOLIO	Inside



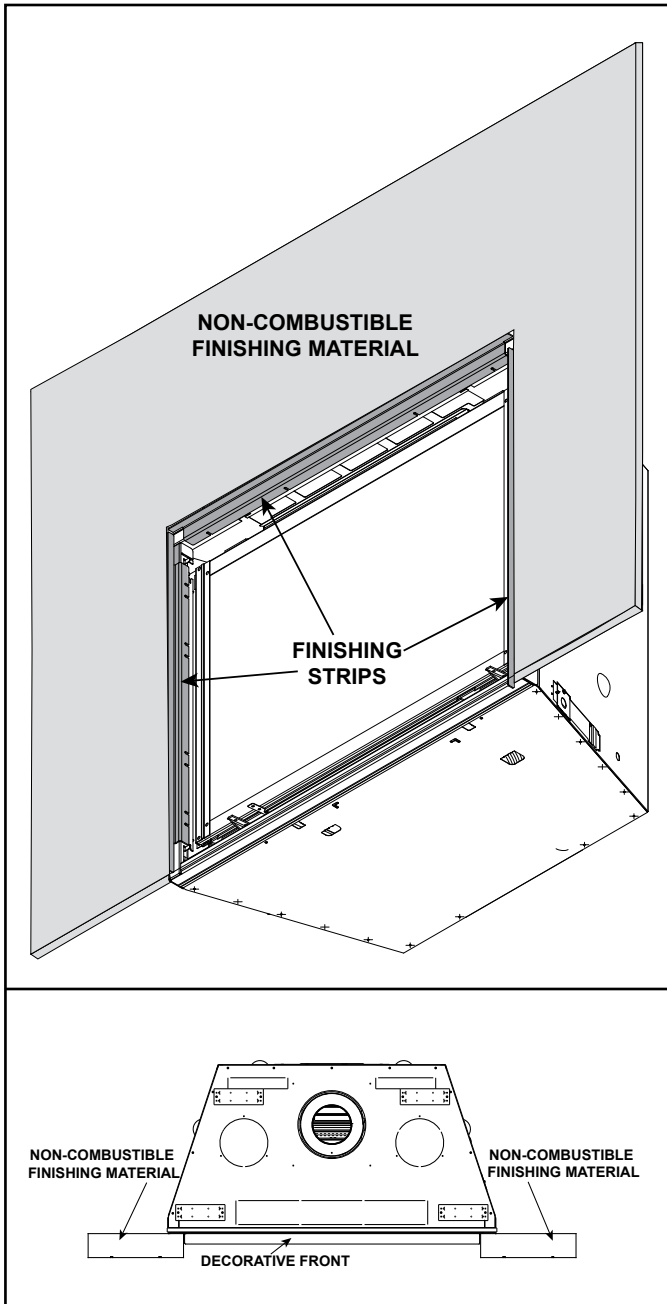
**Figure 10.13 Inside Fit Method**

**2.A Inside Fit Method with Overlap Fit Front  
FINISHING STRIPS REQUIRED**

**Non-Combustible Finishing Material Thickness:  
1-6 Inches (25 mm-152 mm) Maximum**

Finishing strips will add the proper clearances for the installation of the front.

DECORATIVE BARRIER FRONT	FIT OPTION
LOFT	Inside
FORGE	Inside
CHAPEL	Inside



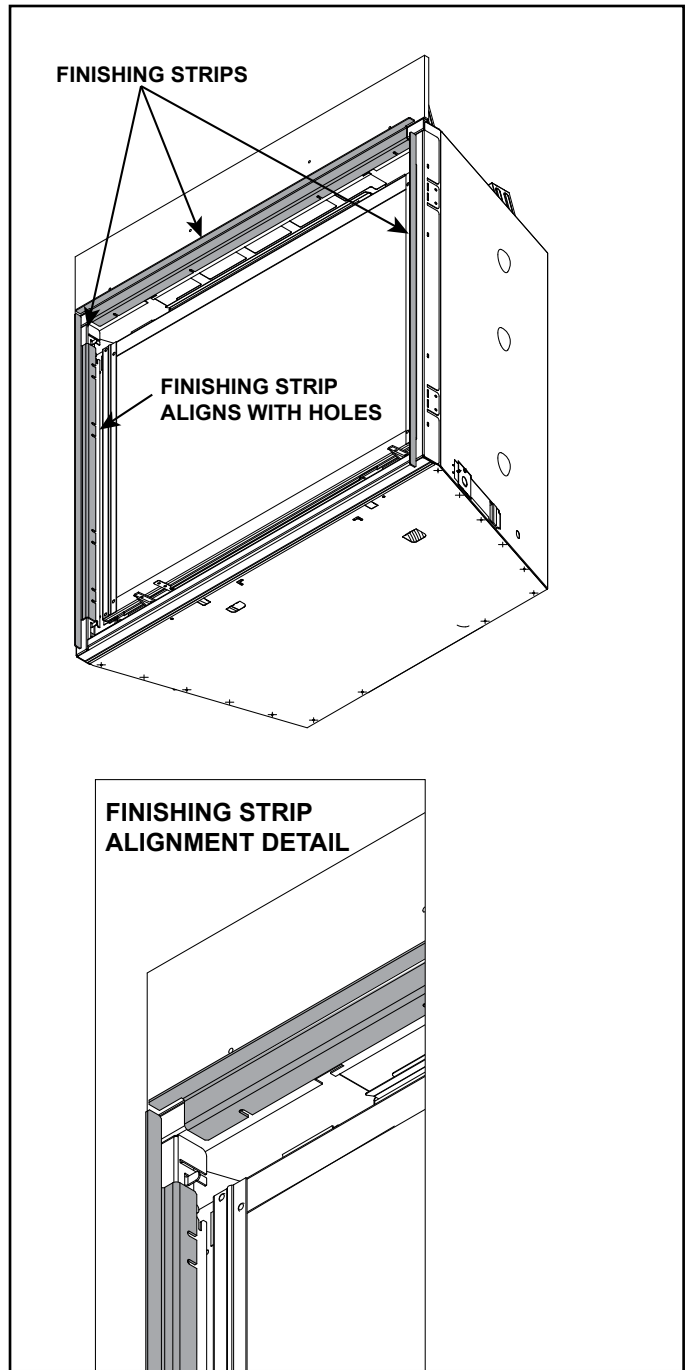
**Figure 10.14 Non-Combustible Finishing Material Thickness Greater Than One Inch - Finishing Strips Required**

**Install and Remove Finishing Strips**

1. Align finishing strip with the two pre-drilled holes on the appliance top and sides as shown in Figure 10.15.
2. Install screws to attach finishing strips.
3. To remove the finishing strips, remove screws.

Finishing strips will add the proper clearances for the installation of the front.

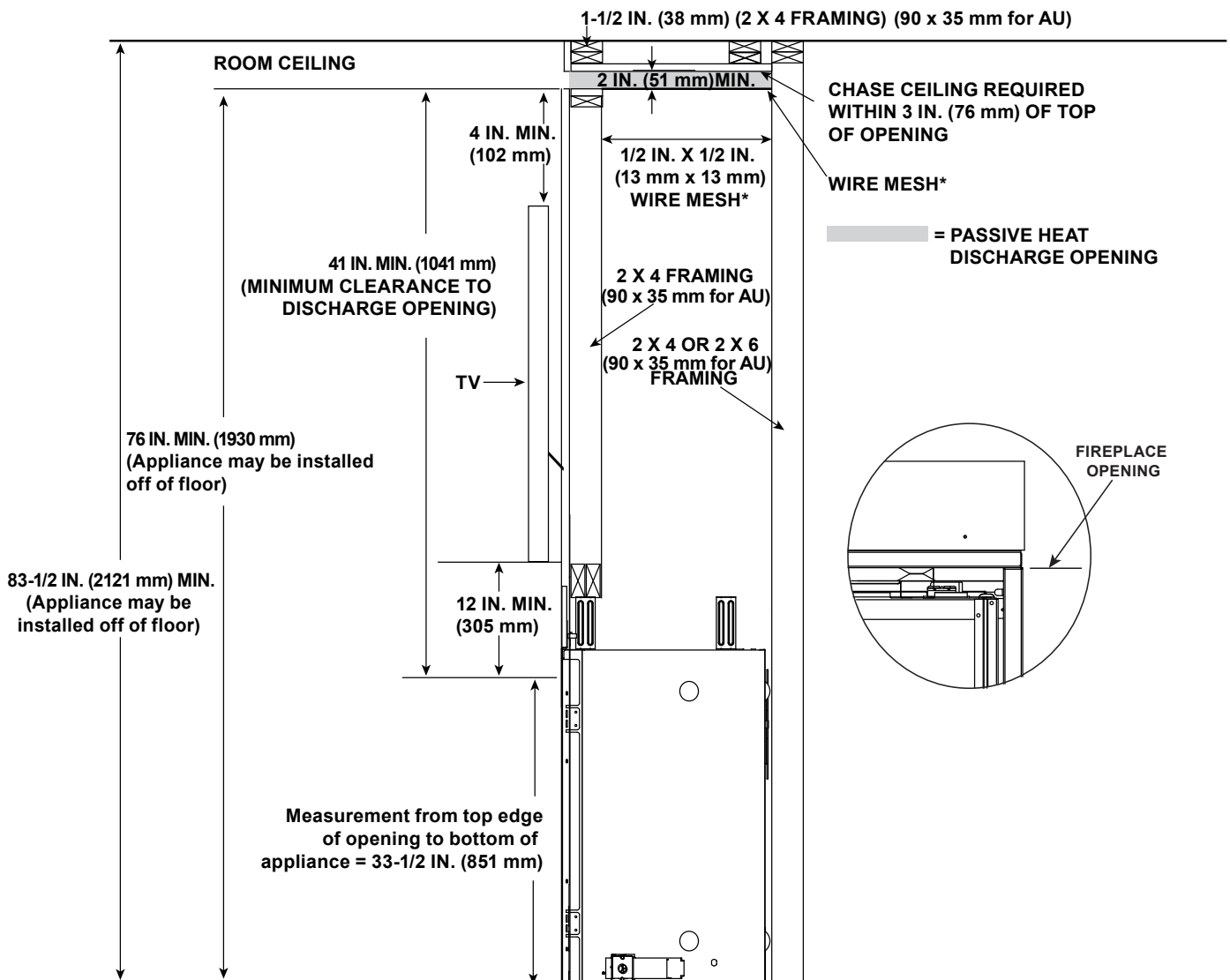
**NOTICE:** Remove finishing strips before firing appliance. Remove glass assembly to access finishing strip screws.



**Figure 10.15 Install Finishing Strips**

**Good Faith Guidelines for TV Installations  
Above a Fireplace with Passive Heat Option**

**WARNING! Risk of Fire!** Wire mesh required on bottom of discharge opening when discharge opening is greater than 3 inches (76 mm). Secure wire mesh to top of framing.



\* Wire mesh required for front discharge or open top discharge passive heat installations with discharge opening of three inches (76 mm) or greater.

**NOTE:** The TV installation requirements are the same regardless of whether the Passive Heat kit is installed with a top discharge, side discharge or open top discharge.

Figure 10.16 Good Faith Guidelines for TV Installations Above a Fireplace with Passive Heat Option

# 11 Appliance Setup

## A. Remove the Shipping Materials

**WARNING! Risk of Fire!** Close the ball valve before installing the splatter guard to prevent accidental lighting. Remove the splatter guard before lighting the appliance.

Remove shipping materials from inside or underneath the firebox.

- The splatter guard is a piece of corrugated material used to protect the appliance during the installation process before finishing work on the whole hearth is complete. Splatter guards may be factory installed or accompany the decorative barrier front of the appliance, depending on the fireplace model. Splatter guards must be removed before appliance is fired.

## B. Clean the Appliance

Clean/vacuum any sawdust that may have accumulated inside the firebox or underneath in the control cavity.

## C. Install the Black Glass Refractory

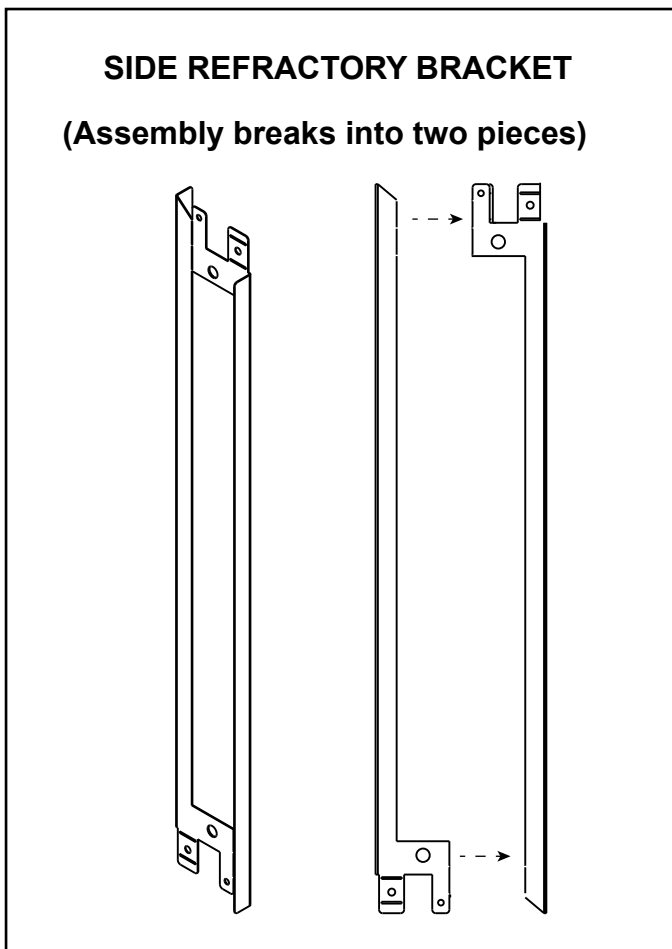


Figure 1 Side Refractory Bracket

## KIT COMPONENTS

- (1) Glass Refractory Assembly (Back, Left, Right)
- (1) Side Refractory Bracket Assembly (See Figure 1)
- (1) Back Insulation Board
- (2) Side Insulation Board
- (1) Back Refractory Support (See Figure 2)
- (1) Base Refractory
- (1) Top Refractory Panel

## REQUIRED TOOLS

- Screw gun equipped with 1/4 in (6 mm) socket
- 1/4 in. (6 mm) wrench

## Installation Instructions

1. Remove decorative front, appliance glass assembly and logs, if installed.
2. Locate back refractory support, included in manual bag assembly shipped with the kit. Remove LED covers from refractory support by bending as shown in Figure 2.  
Discard LED covers.
3. Bend two tabs on back refractory support as shown in Figure 2. Bend at perforation and remove.

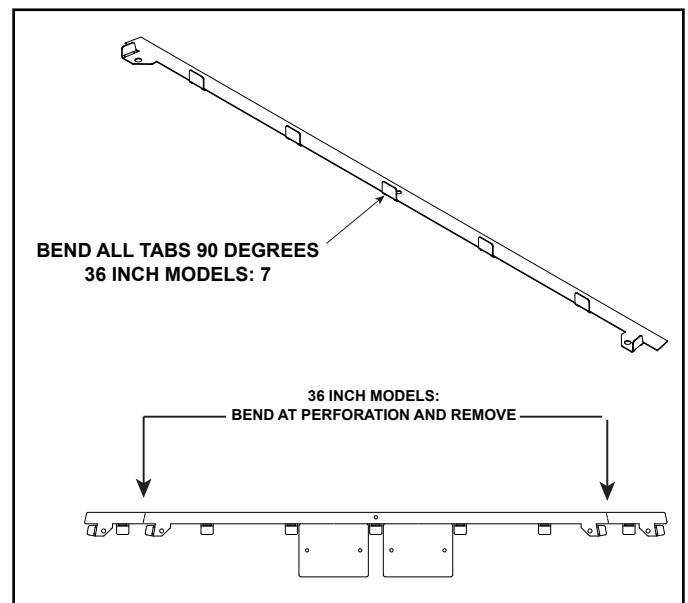


Figure 2 Back Refractory Support

- Place back refractory support on back air passage return bend, align holes and install with one screw as shown in Figure 3 and Figure 4.

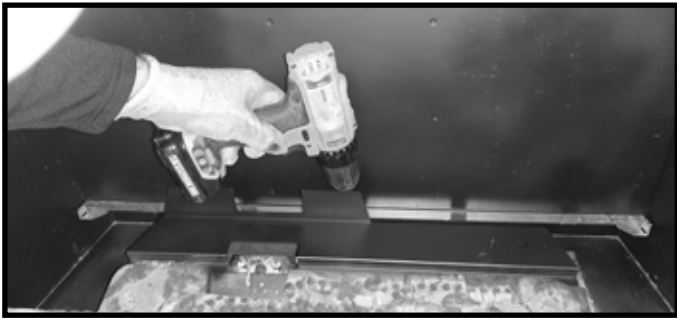


Figure 3 Install Back Refractory Support

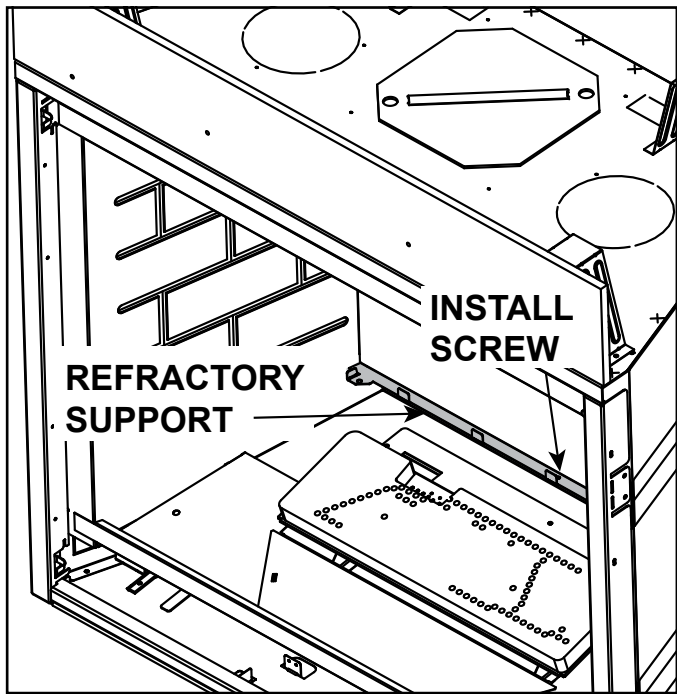


Figure 4 Back Refractory Support Installed

- Install back insulation board by positioning it at the rear of the firebox and behind the refractory support tabs as shown in Figure 5.

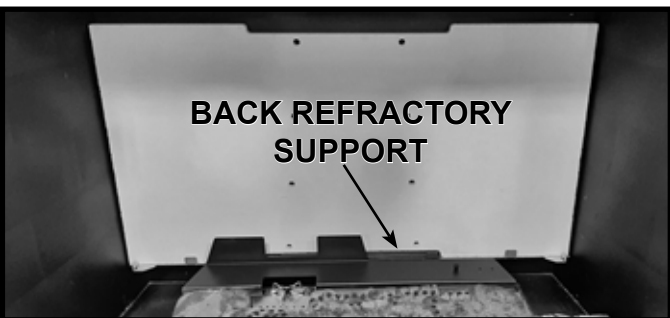


Figure 5 Back Insulation Board Installed

- Install the back glass panel in front of the insulation board and bend/secure the tabs on the back refractory support.

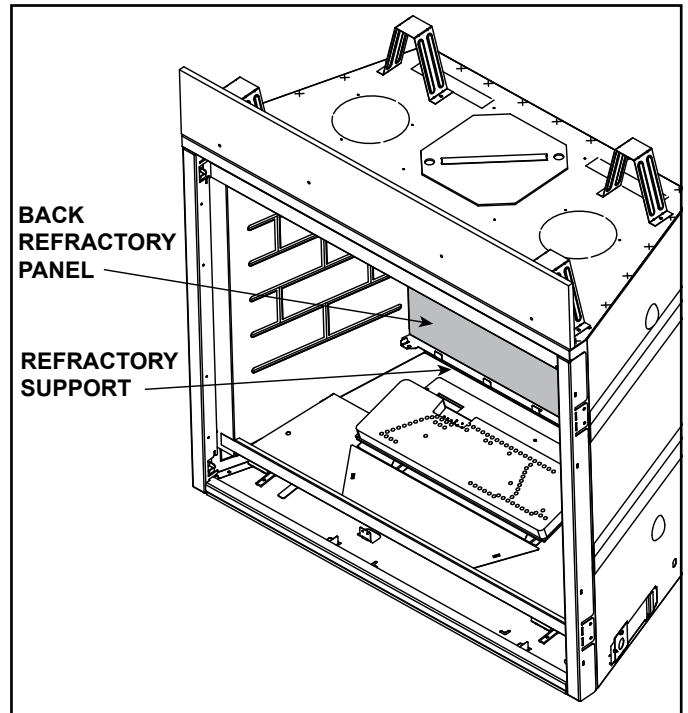


Figure 6 Back Glass Panel Installed

- Hold rear glass panel in place and slide one side insulation board into position as shown in Figure 7.



Figure 7 Rear Glass Panel and Side Insulation Board Installed

9. Install side glass panel in front of insulation board as shown in Figure 8.
10. Bend the side refractory bracket tab down as shown in Figure 9, labeled Bend 1. Place the side refractory bracket into position. Put the top in first and orient it as shown in Figure 8.
11. Install side refractory bracket between the insulation board and the side of the firebox. Position the side refractory bracket, insulation board and side glass panel upright against the inside wall of the firebox as shown in Figure 8. Secure side refractory bracket with one self-tapping screw as shown in Figure 9. Bend side refractory bracket tab over glass panel as shown in Figure 10, labeled Bend 2. Refractory bracket is shown installed, with the tab bent correctly, in Figure 11.

**All Refractory Kits:**

**NOTICE:** Refractory bracket is positioned so that the edge of the white insulation board is completely covered.

**NOTICE:** Ensure the side glass and insulation board are positioned flush against the firebox to allow the base refractory to fit properly.

12. Install side insulation board on opposite side and repeat steps 8-11 for other side.

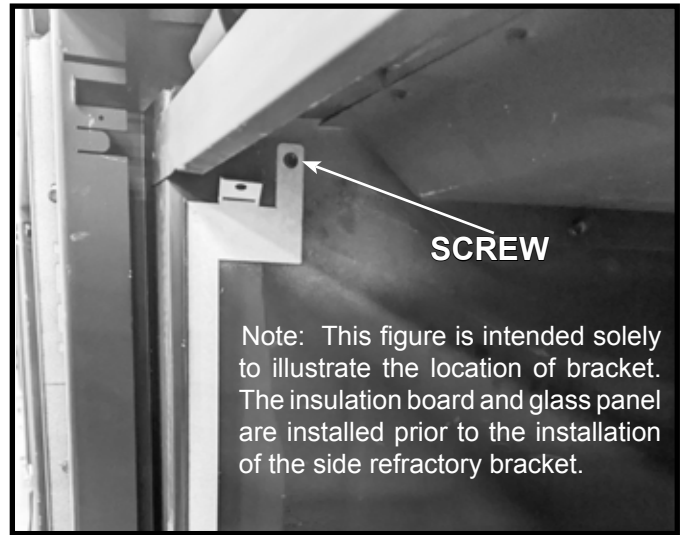


Figure 9 Side Refractory Bracket in Position

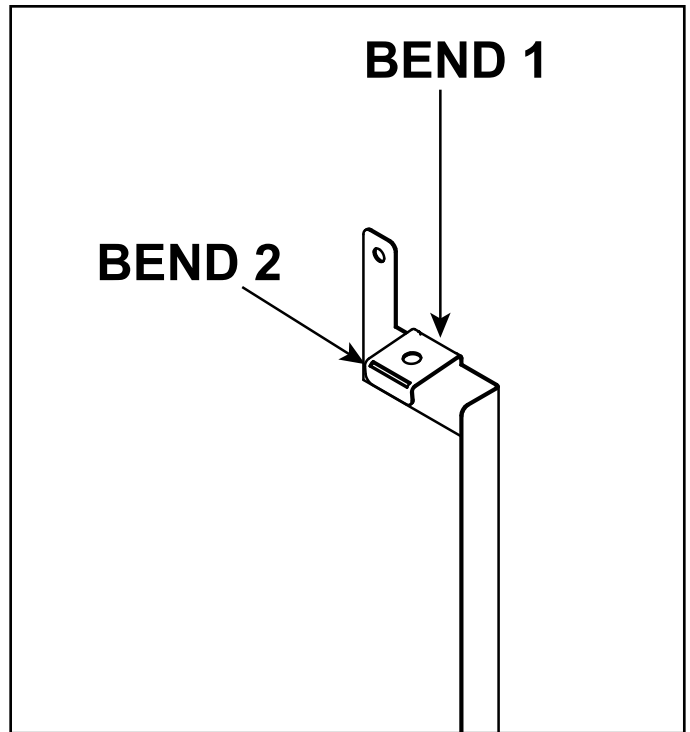


Figure 10 Bend Side Refractory Bracket Tabs

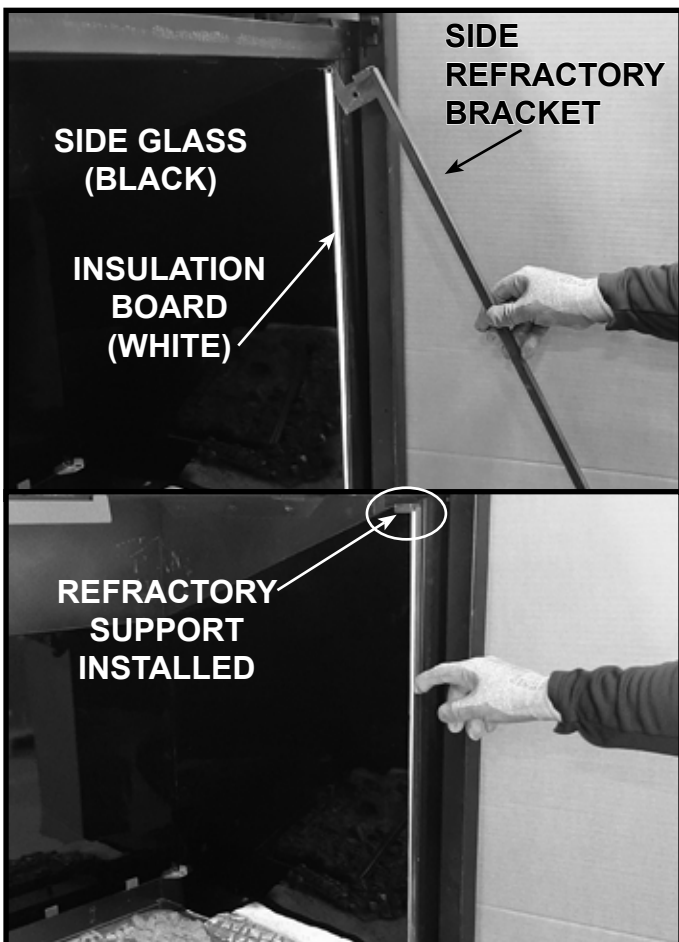


Figure 8 Install Side Refractory Bracket with Side Insulation Board and Side Glass Panel

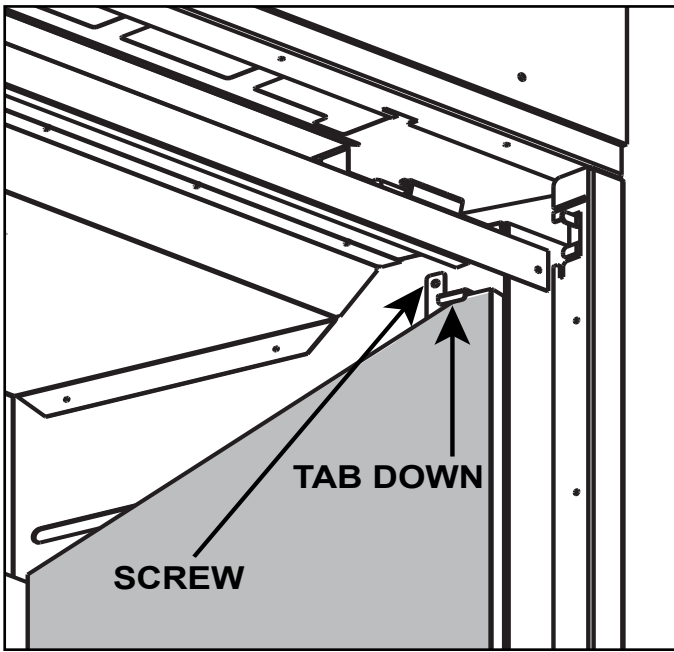


Figure 11 Install Side Glass Refractory Bracket

13. Install top refractory panel. Rest it on top of the side glass panels and gently push to the back of firebox until it rests on back refractory panel. See Figure 12.

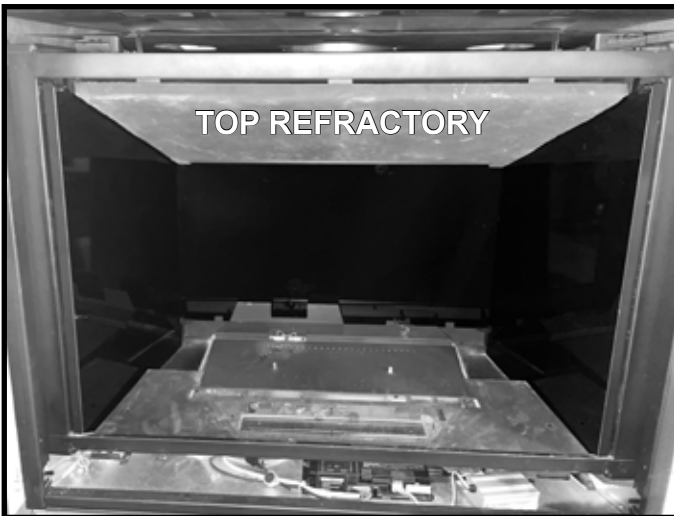


Figure 12 Top Refractory Installed

14. Set new base refractory pieces in place as shown Figure 13.

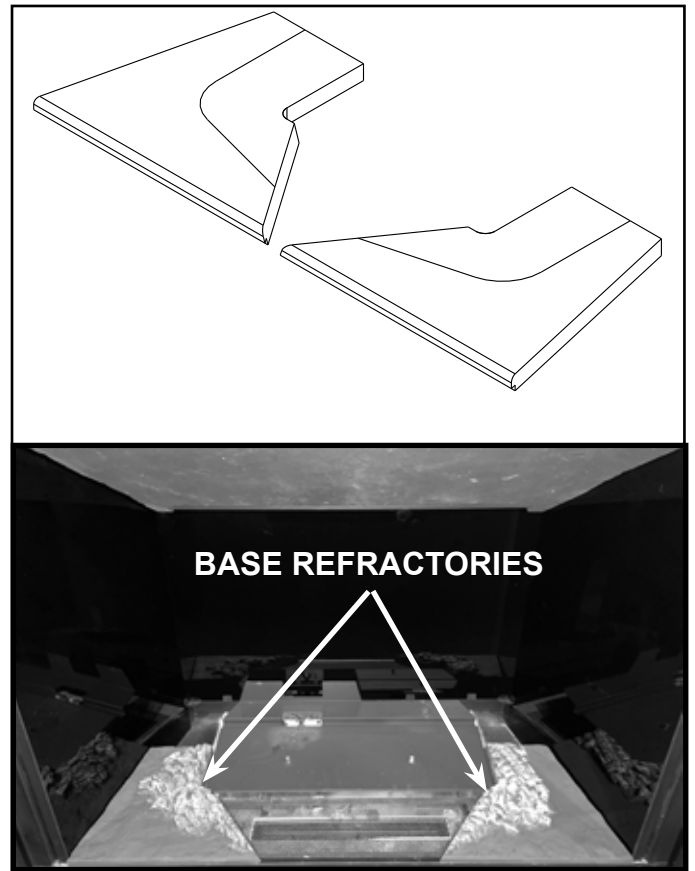


Figure 13 Type 2 Base Refractory Installed (Two Piece Model)

15. Reinstall logs using log placement instructions in appliance installation manual.
16. Reinstall appliance glass assembly using instructions in appliance installation manual.
17. Install decorative front according to instructions included with decorative front.

2581-937

## D. Install the Burner Overlay

1. Locate the burner overlay shipped inside the firebox.
2. Remove the burner overlay from the packaging. Check to ensure all ports are free from any obstructions. See Figure 11.1.
3. To install the burner overlay, mate the locating holes with the guide sleeves. Install fiber burner top so that it makes full contact with the underlying burner assembly. See Figure 11.2.
4. Ensure that the ports in the steel burner are visible through the holes in the fiber burner top. See Figure 11.2.

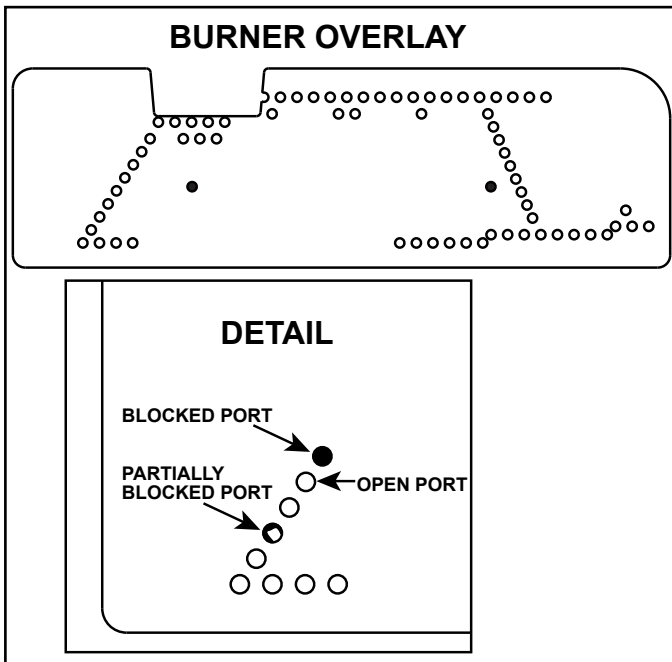


Figure 11.1 Check Burner Ports

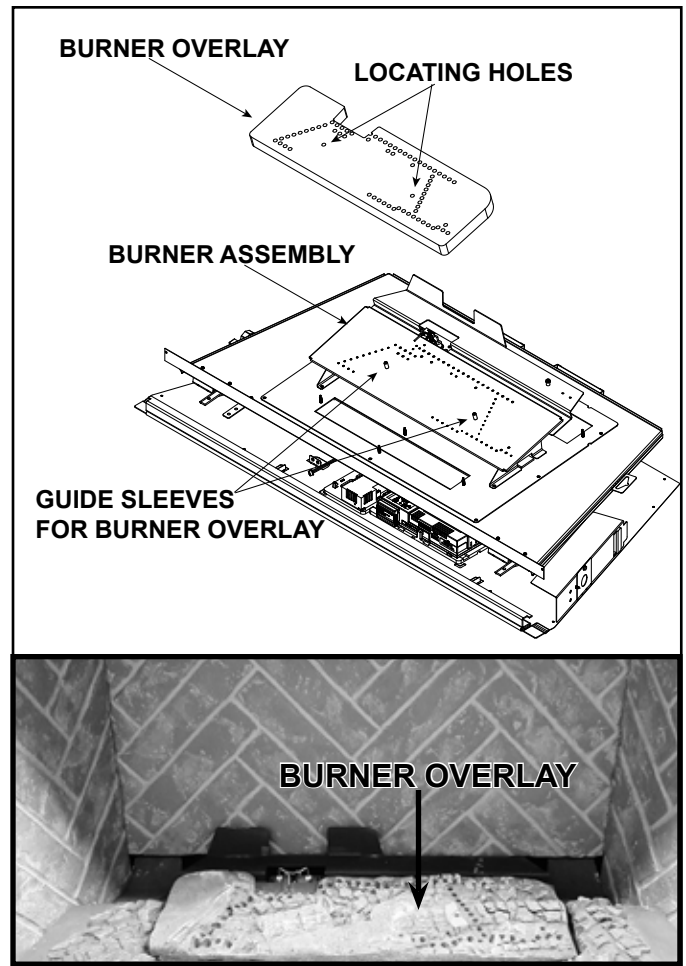


Figure 11.2 Burner Overlay Installed



## → E. Install the Illuminated Embers

The Illuminated Embers are shipped from the factory pre-painted. If a darker appearance is desired, the illuminated embers may be fogged with high temperature black paint. Hearth and Home Technologies part number TUP-GBK-12.

### Fogging Tips

- Apply paint with the ember lights turned on. This will help you avoid over fogging or under fogging.
- Reduce the lighting in the room while applying the paint.
- Fog the Illuminated Embers to create a realistic coal bed appearance.
- Allow the paint to dry/cure a minimum of 15 minutes.

### Illuminated Embers Placement

1. Pour the provided Stone Media between the left and right base refractories as shown in Figure 11.3.

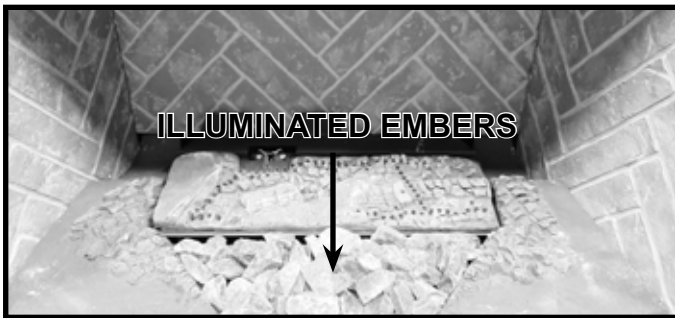


Figure 11.3 Illuminated Embers Installed

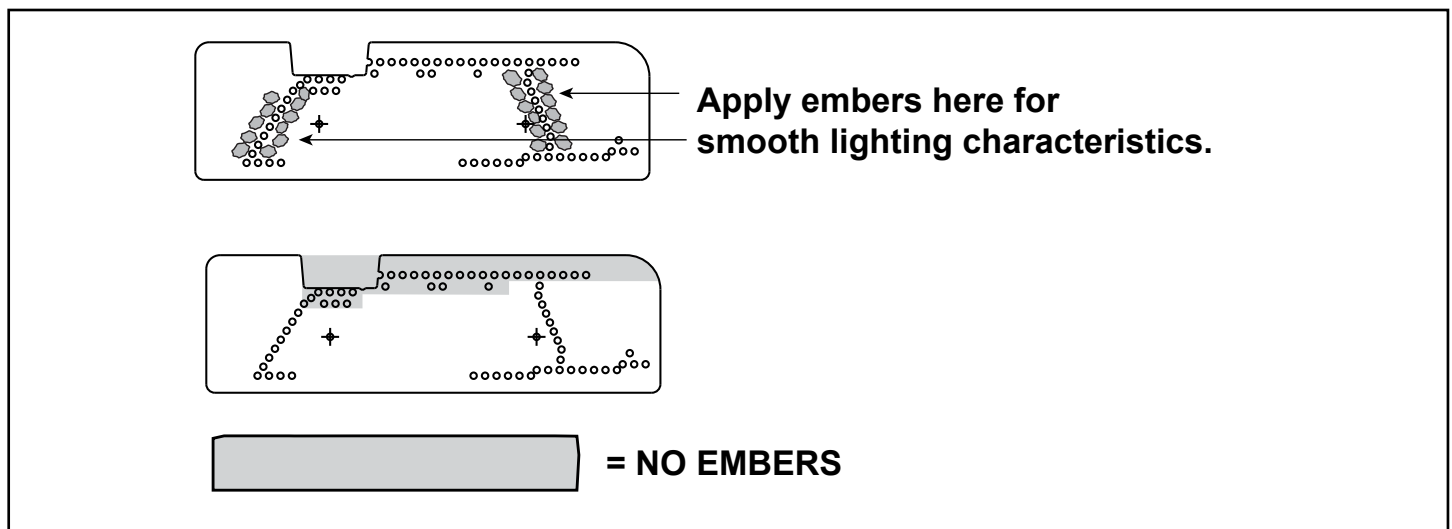


Figure 11.4 Burner Media / Ember Placement

## F. Install Base Refractory and Burner Media/Embers

### Install Base Refractory

Install base refractory into firebox. Base refractory will fit around burner. The front edge of the refractory is positioned flush with the firebox return bend.

### Install Burner Media/Embers

**WARNING! Risk of Explosion!** Follow ember placement instructions in manual. **DO NOT** completely block burner ports with ember material. Replace ember material annually. Improperly placed embers interfere with proper burner operation.

Ember material is shipped with this gas appliance. To place the ember material:

- Embers CANNOT completely block burner ports. Care should be taken not to block the lighting trail of ports.
- Embers may only be placed in areas as shown in Figure 11.4.
- Save the remaining ember materials for use during appliance servicing. The embers provided should be enough for 3 to 5 applications.

## G. Install the Log Assembly

## Log Assembly: LOGS-6KX

**CAUTION:** Logs are fragile, handle with care.

**NOTICE:** To simplify the installation process, positively identify each individual log before beginning installation. See Figure 1. Key log location features are shown in Figure 2.

MIDRANGE SETUP VIDEO

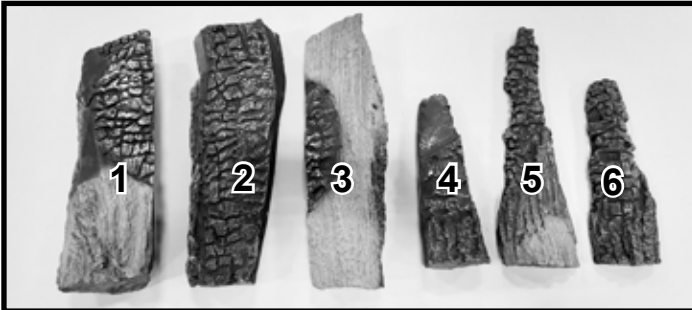
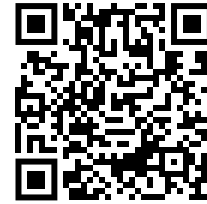


Figure 1. Log Identification - LOGS-6KX

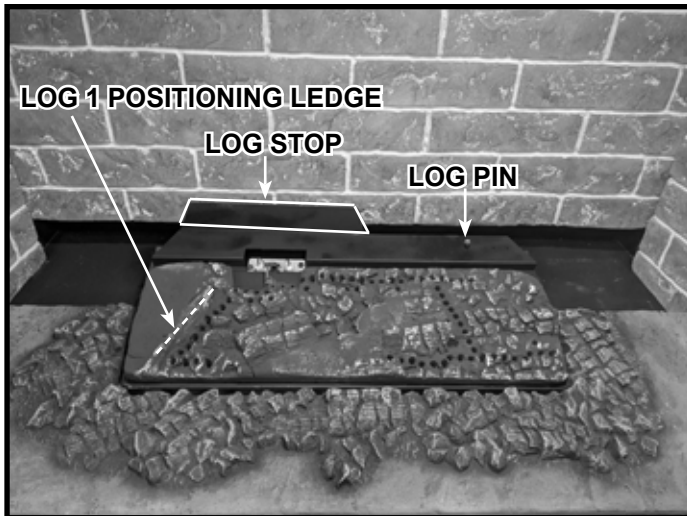


Figure 2 Log Location Features

**Log #1:** Position Log #1 along the log positioning ledge referenced in Figure 2. Slide Log #1 back until it contacts the log stop.

**Log #2:** Position the right end of Log #2 against the log pin as shown in Figure 4. Refer to Figure 2 for log pin location. Position the bottom side of the log on the log shelf and place it just behind the log shelf return bend. The back side of the log will touch the back refractory, if installed. Set the left end of the log on the flat area of Log #1 shown in Figure 3.

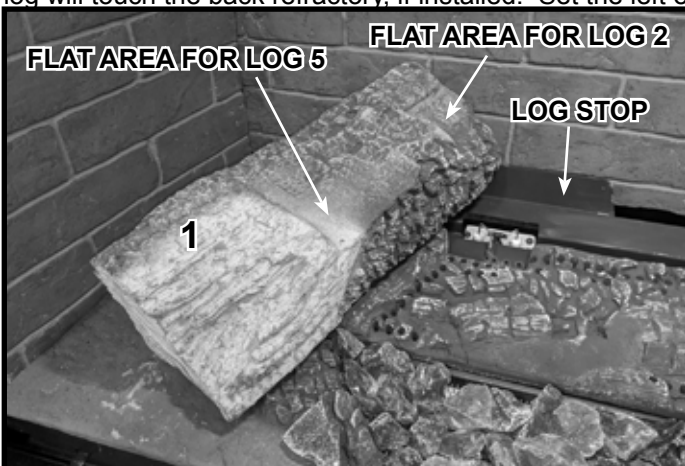


Figure 3 Place Log #1

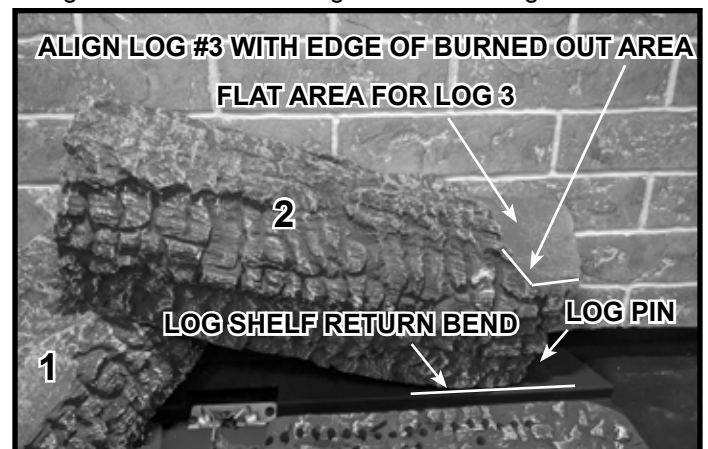


Figure 4 Place Log #2

### Log #3:

Set the top of Log #3 on the flat spot of Log #2. The bottom corner of the top of Log #3 will overhang Log #2 as shown in Figure 6. The bottom right edge of Log #3 will touch the back refractory, if installed, as noted in Figure 5. Appliances without refractory will have a one inch gap between the bottom right edge of Log #3 and the side wall of the firebox.



Figure 5 Place Log #3 (LOGS-6K / LOGS6KX / LOGS-6-BIR)

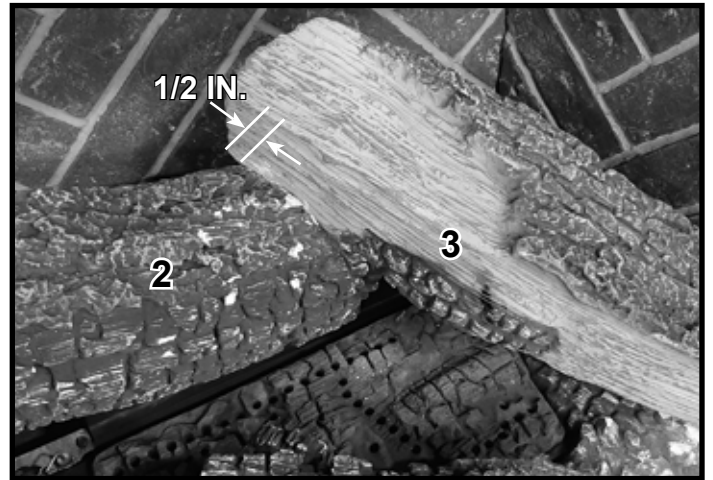


Figure 6 Log #3 Placement in Relation to Log #2

**Log #4:** Position Log #4 on the flat area of the fiber burner overlay noted in Figure 8. Slide Log #4 so the notch, shown in Figure 9, mates with the “bump” detail. The back edge of Log #4 rests against the log placement edge on the fiber overlay. The flat area for Log #4 must be kept parallel to the burner overlay. See Figure 7.

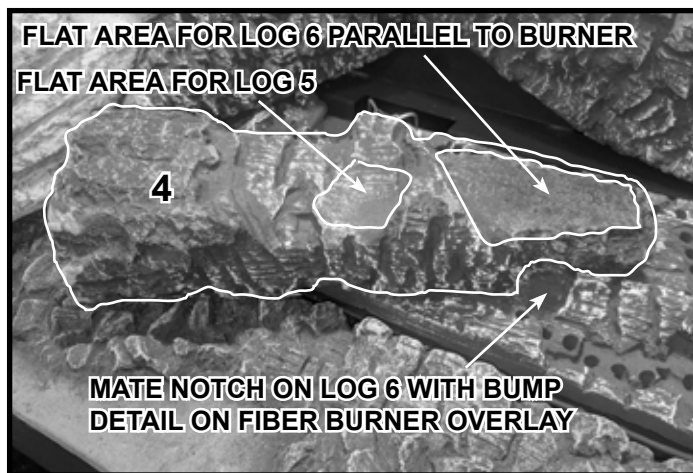


Figure 7 Install Log #4



Figure 8 Log Placement Details

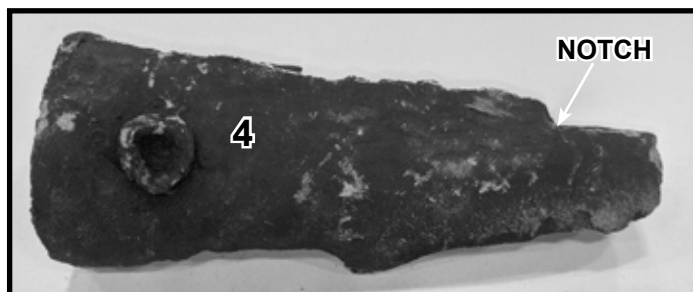


Figure 9 Bottom View of Log #4

**Log #5:**

**LOGS-6KX :** Place the large end of Log #5 on the flat area of Log #1, highlighted in Figure 3. The other end rests on the flat area of Log #4 as referenced in Figure 7. The edge of the large end of Log #5 should be flush with the back edge of Log #1 as shown in Figure 10.

**Log #6:** Position Log #6 on the flat area of Log #4, which is highlighted in Figure 7. The top left corner of Log #6 will overhang the side of Log #4 by 1/2 inch. The bottom corner of Log #6 will be flush with the front of the firebox opening as noted in Figure 12.

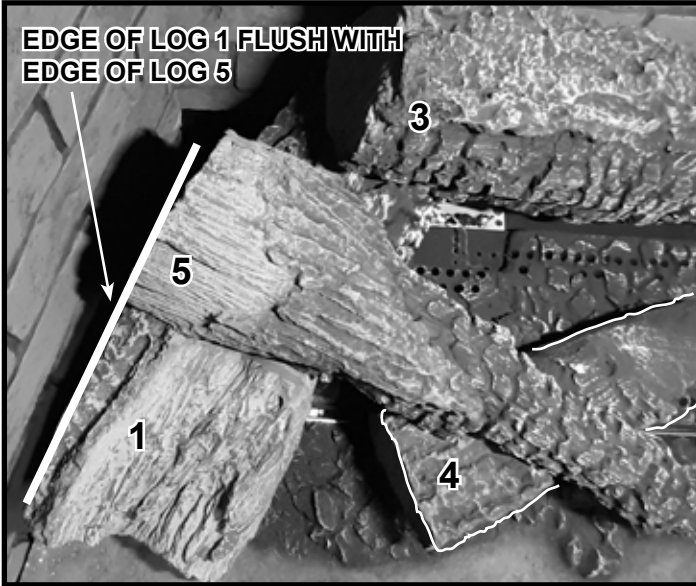


Figure 10 Install Log #5



Figure 11 Install Log #6

**Service Parts List**

Log #	PART NUMBER
1	SRV2582-700
2	SRV2582-701
3	SRV2582-702
4	SRV2582-703
5	SRV2582-704
6	SRV2582-705

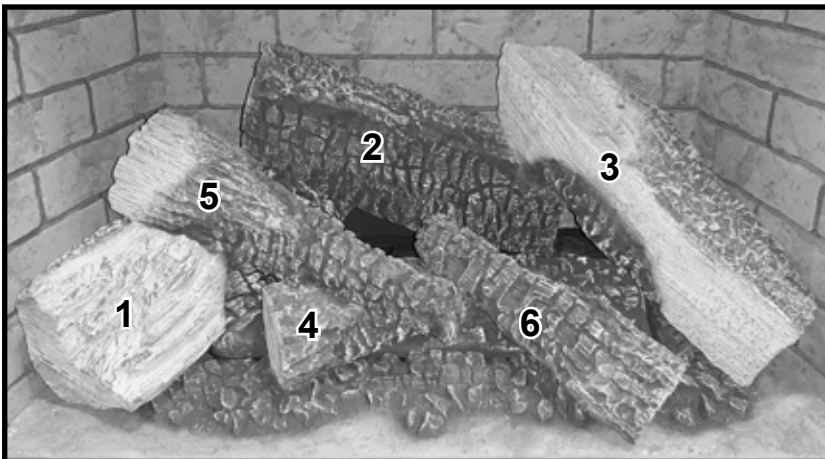


Figure 12 Log Set Installed

## H. Fixed Glass Assembly Removal and Replacement

**WARNING! Risk of Asphyxiation!** Handle fixed glass assembly with care. Inspect the gasket to ensure it is undamaged and inspect the glass for cracks, chips or scratches.

- **DO NOT** strike, slam or scratch glass.
- **DO NOT** operate fireplace with glass removed, cracked, broken or scratched.
- Replace as a complete assembly.

### Removing Fixed Glass Assembly

- Pull the four glass assembly latches away from the tabs on the glass frame. Remove glass assembly from the appliance. See Figure 11.5.

### Replacing Fixed Glass Assembly

- Replace the glass assembly on the appliance. Hold glass in place with one hand. Use the other hand to pull out and latch the four glass assembly latches onto the glass frame tabs.
- Inspect and operate all glass latches to ensure they move freely and no obstructions are present.
- Reinstall decorative barrier front.

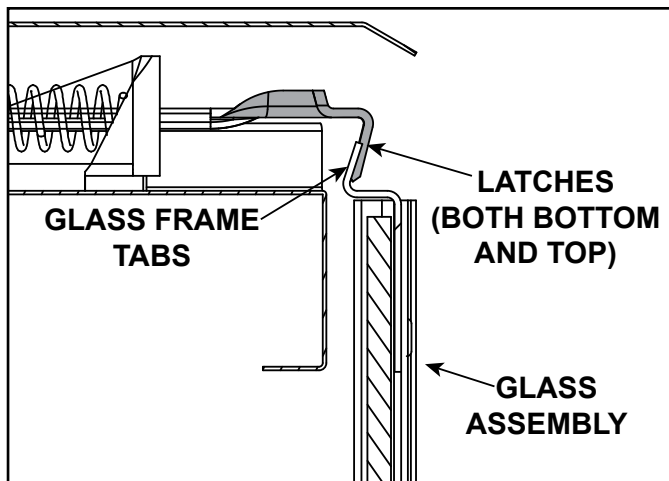


Figure 11.5 Fixed Glass Assembly

## I. Install Decorative Barrier Front

**WARNING! Risk of Fire!** Install **ONLY** decorative barrier fronts approved by Hearth & Home Technologies. Unapproved decorative barrier fronts could cause fireplace to overheat.

**IMPORTANT!** This fireplace requires an installed decorative barrier front to prevent direct contact with the hot viewing glass. **DO NOT** operate the fireplace with the barrier removed.

Contact your dealer or Hearth & Home Technologies if the barrier is not present or help is needed to properly install one.

For more information refer to the instructions supplied with your decorative barrier front.

# 12 Reference Materials

## A. Vent Components Diagrams

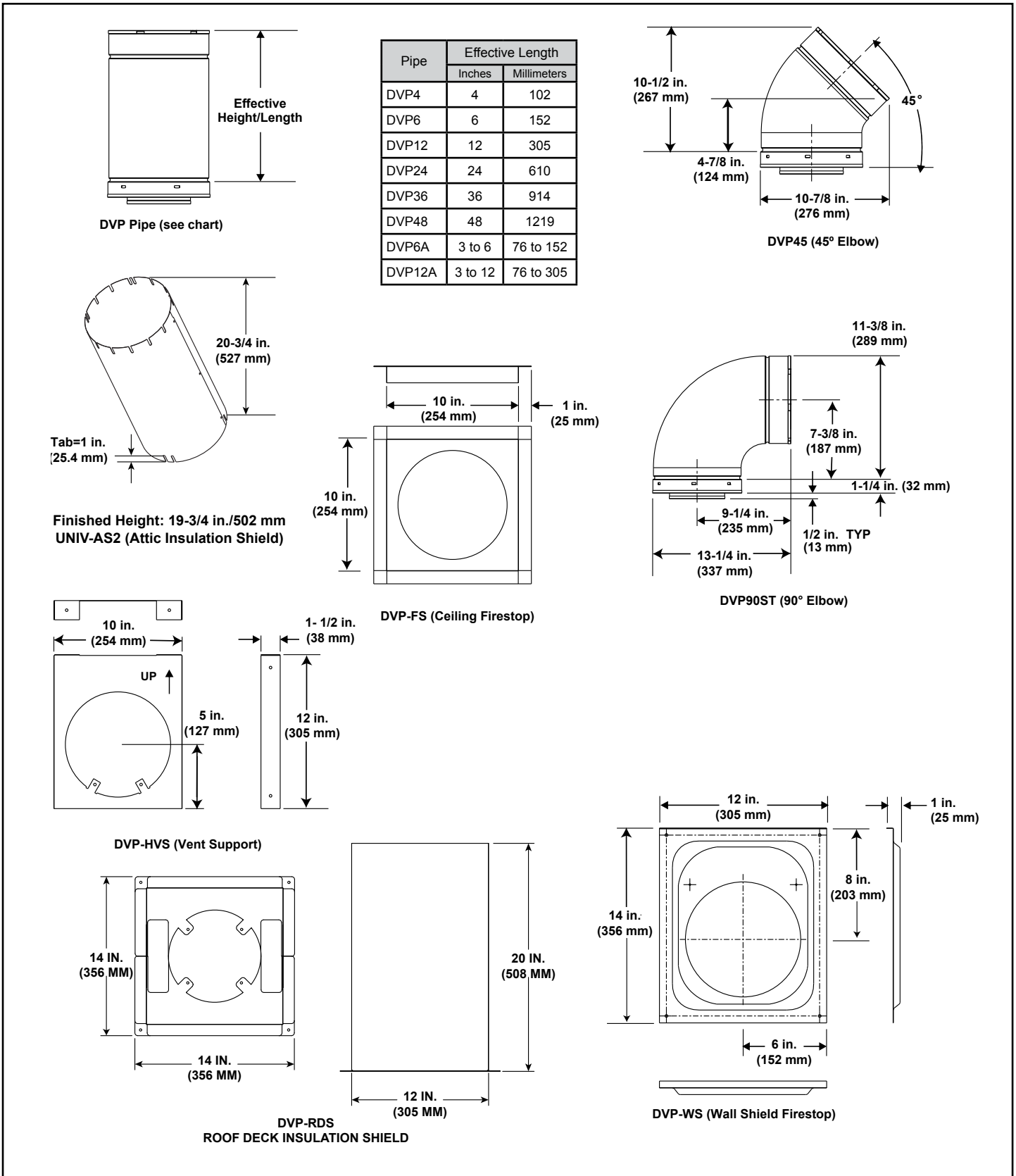
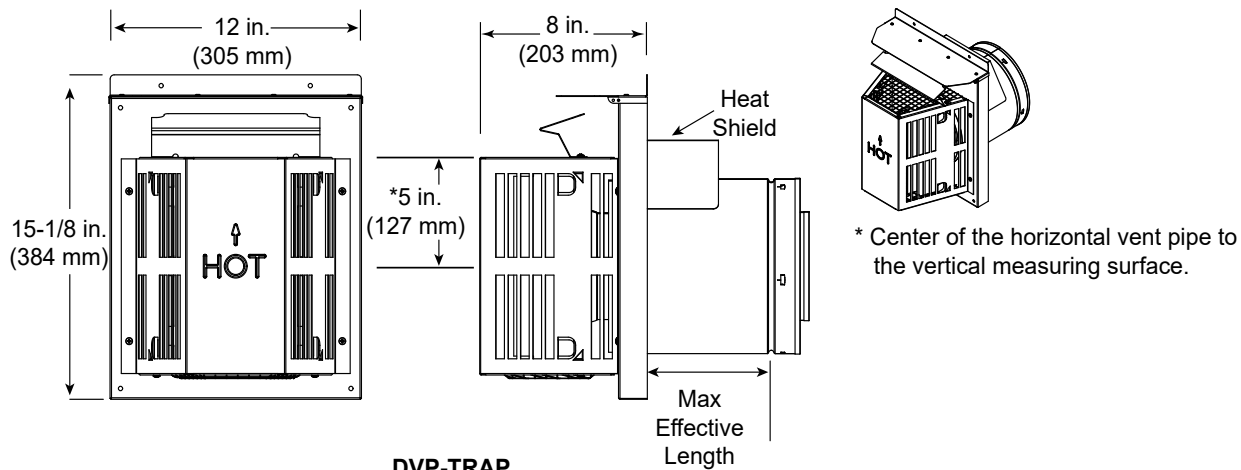


Figure 12.1 DVP Vent Components

## A. Vent Components Diagrams (continued)

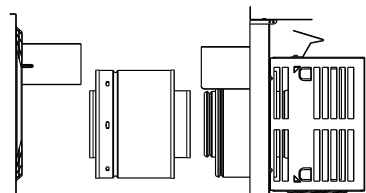
used on a wall 4 in. to 7-1/4 in. (102 mm to 184 mm) thick. If wall thickness is less than 4 in. (102 mm) the existing heat shields must be field trimmed. If wall thickness is greater than 7-1/4 in. (184 mm) a DVP-HSM-B will be required.



\* Center of the horizontal vent pipe to the vertical measuring surface.

**DVP-TRAP**  
Horizontal Termination Cap

Term Cap	Minimum Effective Length	Maximum Effective Length
Trap1	3-1/8 in.	4-5/8 in.
	79 mm	117 mm
Trap2	5-3/8 in.	9-3/8 in.
	137 mm	238 mm



**DVP-TRAP2**

Figure 12.2 DVP Vent Components

## A. Vent Components Diagrams (continued)

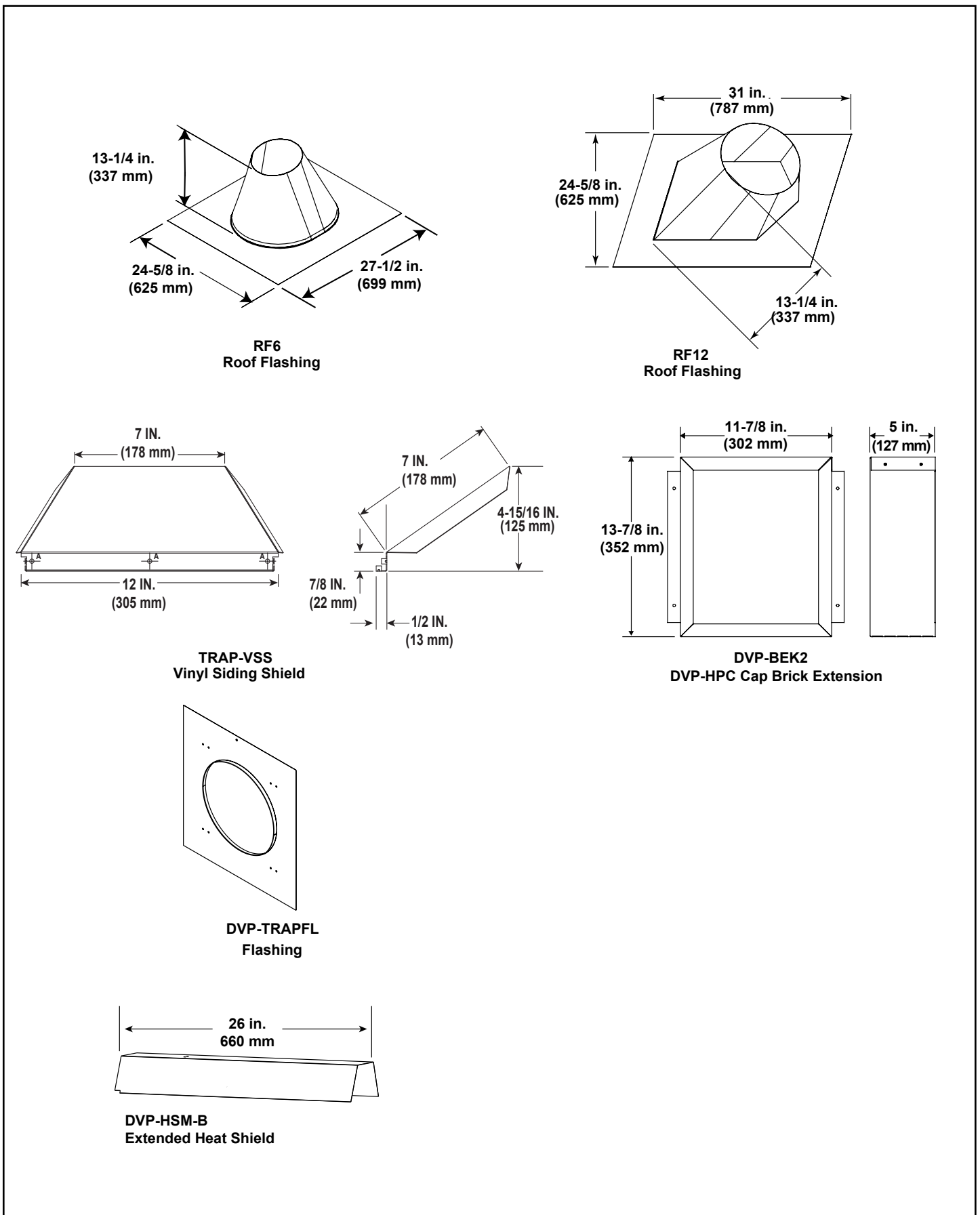


Figure 12.3 DVP Vent Components



## A. Vent Components Diagrams (continued)

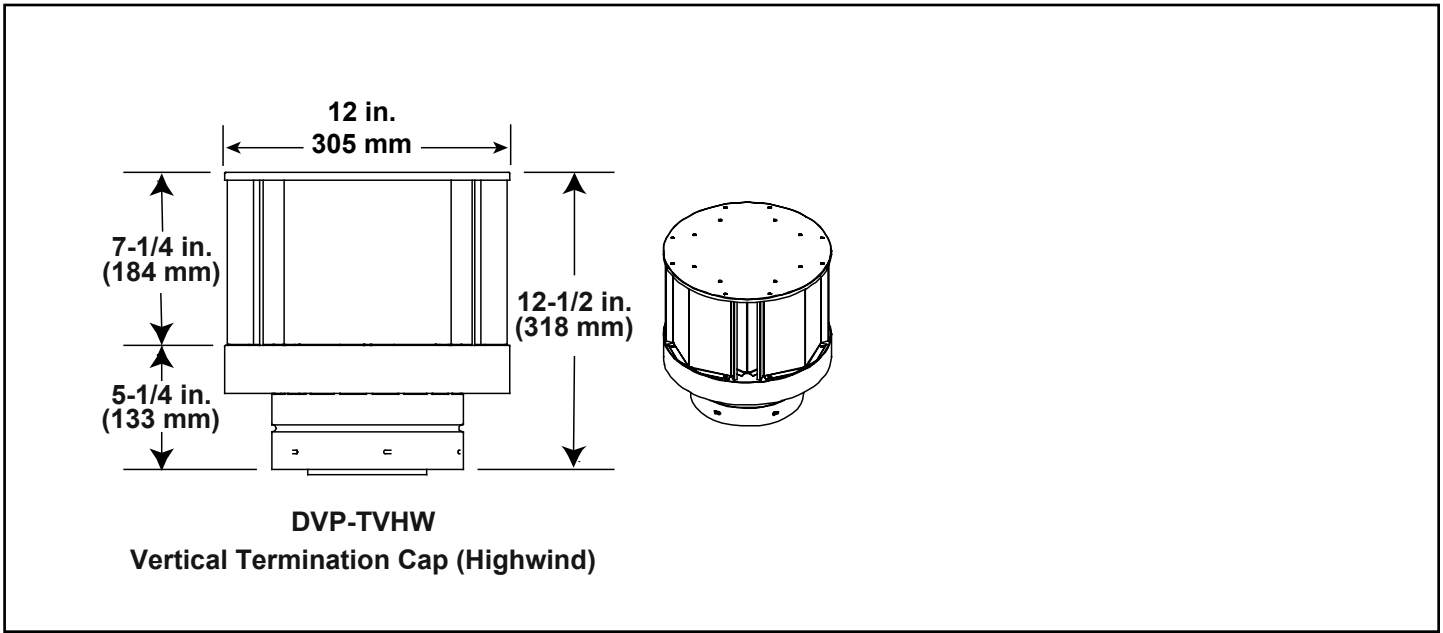


Figure 12.4 DVP Vent Components

### **DECORATIVE TERMINATIONS/SHROUDS**

Only use listed decorative termination caps/shrouds with Hearth & Home Technologies approved venting systems. This applies to both DVP and SLP venting systems.

#### **Decorative Terminations Caps/Shrouds**

DTO134	LDS33
DTO146	LDS46
DTS134	LDS-BV
DTS146	

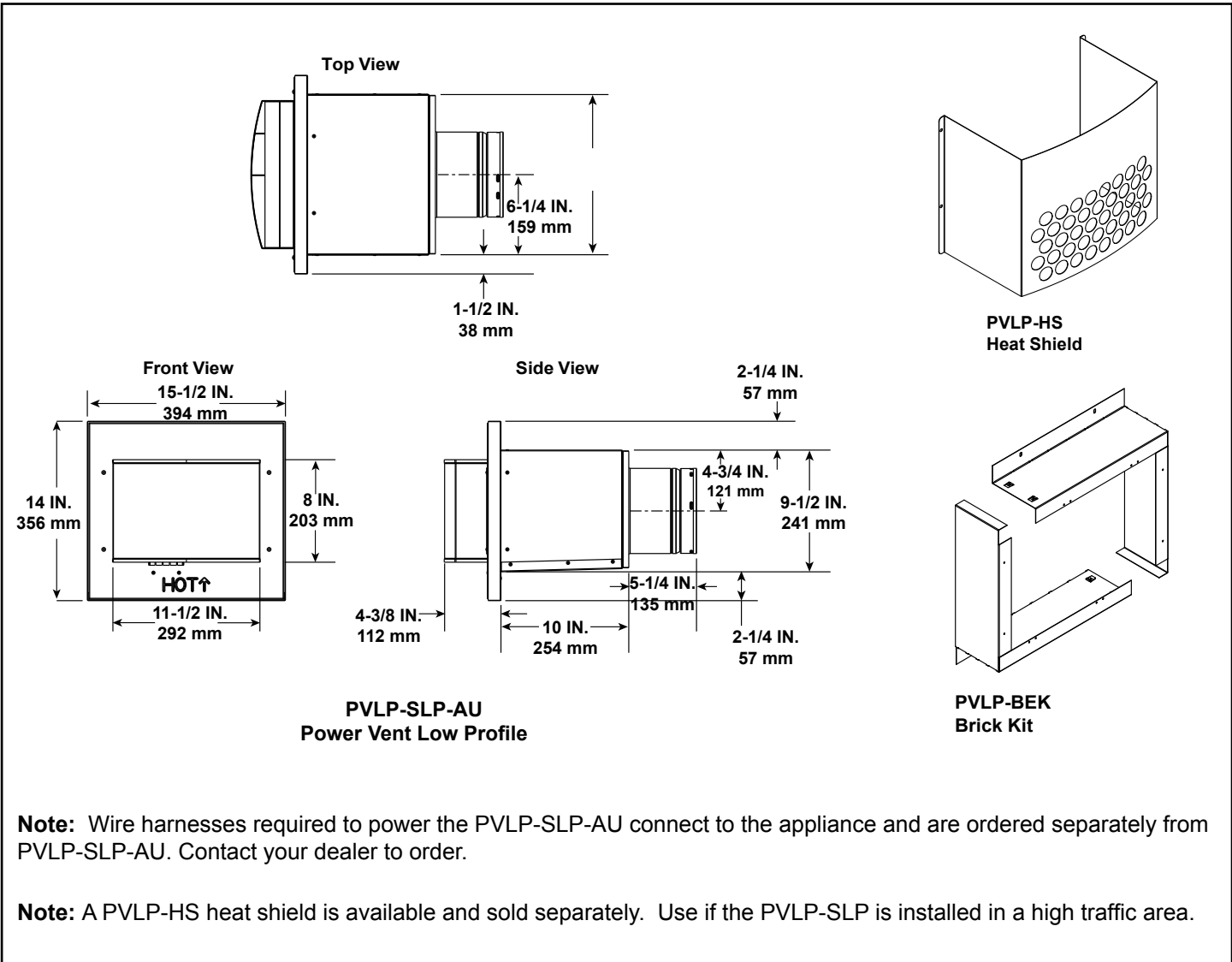


Figure 12.5 PVLP-SLP-AU Vent Components

## B. Accessories

**WARNING! Risk of Fire and Electric Shock!** Use ONLY Hearth & Home Technologies-approved optional accessories with this appliance. Using non-listed accessories could result in a safety hazard and will void the warranty.

Contact your dealer for more information and details, such as color options and specific quantities required, on individual accessories. A qualified service technician must install the approved accessories. Operate installed accessories according to the included instructions.

**Note:** Some optional accessories must be installed at the time of appliance installation. See Section 2.A.

**WARNING! Risk of Fire and Electric Shock!** Use ONLY Hearth & Home Technologies-approved optional accessories with this appliance. Using non-listed accessories could result in a safety hazard and will void the warranty.

Contact your dealer for more information and details, such as color options and specific quantities required, on individual accessories. A qualified service technician must install the approved accessories. Operate installed accessories according to the included instructions.

**Note:** Some optional accessories must be installed at the time of appliance installation. See Section 2.A.

### Options:

<b>Refractory Kit</b>	
BRICK-6KX-(TG/CU/SJ)	Brick Refractory
GL-36KX, GL-42KX	Black Glass Liner
<b>Heat Management Systems Kits</b>	
HEAT-ZONE-240V	Heat-Zone-Gas
HZMR-ADP	Heat Zone Adapter
PH-MR	Passive Heat-Front, Side or Top Discharge
PH-SIDETRIM	Passive Heat registers for side discharge (requires PH-MR)
PH-FRTTRIM-36	Passive Heat registers for front discharge (requires PH-MR)
<b>Log Sets</b>	
LOGS-6-BIR	Birch Log Set

Heat & Glo, a brand of Hearth & Home Technologies  
7571 215<sup>th</sup> Street West, Lakeville, MN 55044  
[www.heatnglo.com](http://www.heatnglo.com)

Please contact your Heat & Glo dealer with any questions or concerns.  
For the location of your nearest Heat & Glo dealer,  
please visit [www.heatnglo.com](http://www.heatnglo.com).

Printed in U.S.A. - Copyright 2023