



CFP MANUAL IGNITION

PATIO HORIZON GAS FIREPLACE RANGE INSTALLATION & OPERATING INSTRUCTIONS



IMPORTANT:

INSTALLER, PLEASE LEAVE THESE INSTRUCTIONS WITH THE UNIT ON COMPLETION.

Head Office – 13 French Avenue, Brendale, Queensland 4500

Telephone – PH: (07) 3490 5500

Facsimile – FAX: (07) 3490 5520

Website: - www.jetmaster.com.au

Business hours: - Monday to Thursday 7:30am-4:00pm. Friday 7:30am-2:00pm

Email: - sales@jetmaster.com.au



INSTALLATION INSTRUCTIONS CFP MANUAL IGNITION FOR PATIO HORIZON GAS FIREPLACE RANGE

- The flueless patio panoramic horizon gas fireplace components are fireplace casing with porcelain liners, 304 grade stainless steel burner, glass media and glass fender.
- As per the diagram this can be installed into a timber framework with a non – combustible zone of 150mm above the top of the fireplace where a minimum 9mm fibre cement sheeting is to be used to clad wall.
- 50mm clearance from sides and back of appliance to any combustible material.
- **This unit can only be installed into an outside area with sufficient ventilation as per gas regulations (minimum 2 open sides).**
- Do not locate the appliance where it will get excessively wet. The standard burner is set for LPG.
- The NG conversion kit is included in the box and must be installed by a qualified gas fitter. An in-line test point must be installed by a gasfitter so that the supply gas pressure can be checked and verified.

• **IMPORTANT: There must be sufficient drainage under all appliances to allow for water and excess moisture to completely dry so components are not affected**

IMPORTANT:

Installation of this appliance should only be carried out by an authorised person in accordance with the manufacturers instruction. All relevant codes and regulations laid down by the gas authorities uniform building regulations and the requirements of local municipal authorities must be observed.

Appliance installation must comply with AS5601/AG5601 clause 5.12.13.2 and 5.12.13.5.

DATA PLATE:

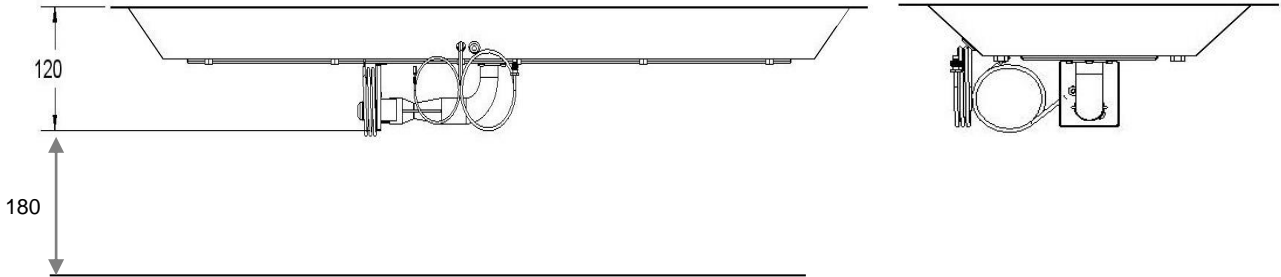
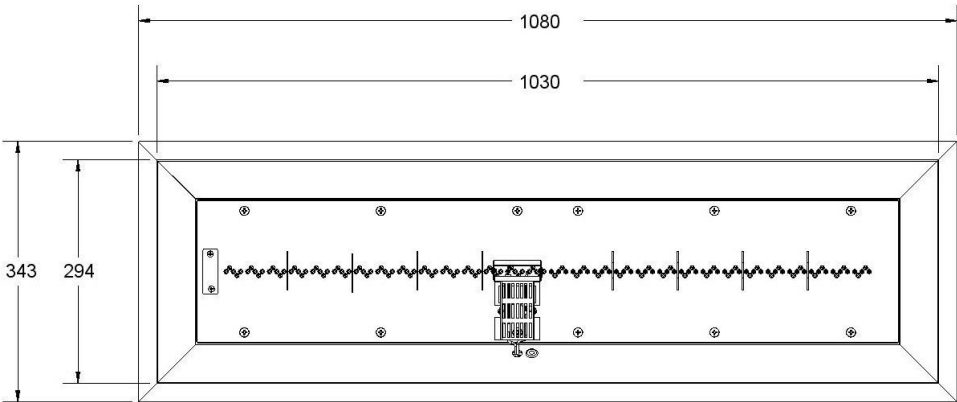
Refer to the data plate for information in respect of gas type, Natural and LPG (propane). The data plate is located on the base of unit and is accessed by lifting the burner.

NOTE: LPG gas units emit carbon which may discolour ceilings or walls. There is a minimum 1830mm min. clearance to ceiling.



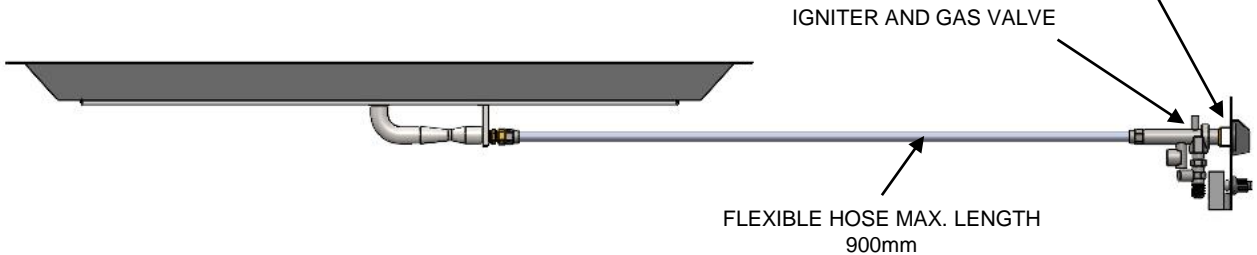
**INSTALLATION INSTRUCTIONS CFP MANUAL IGNITION FOR PATIO HORIZON
GAS FIREPLACE RANGE**

DIMENSIONS



COMBUSTIBLE MATERIALS

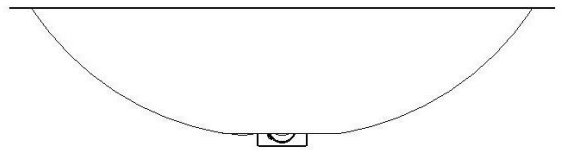
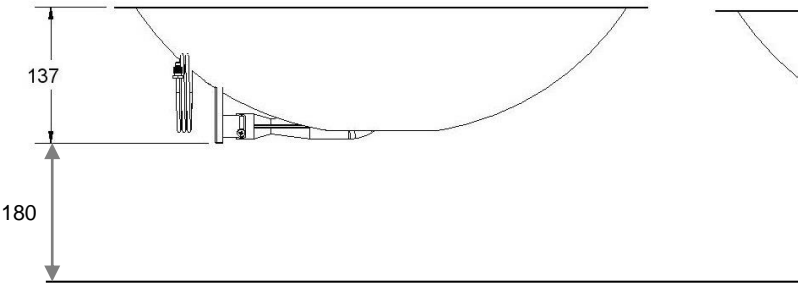
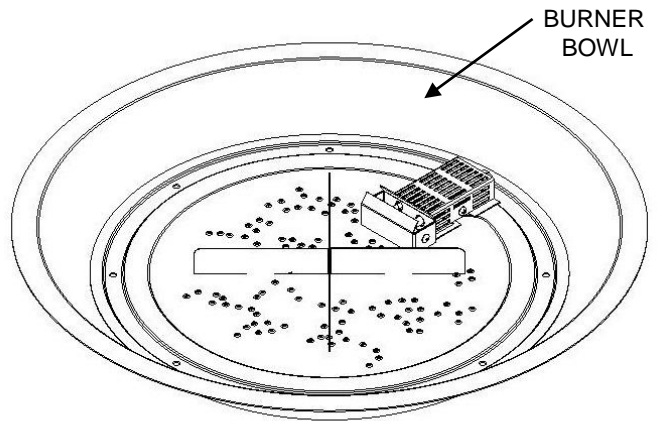
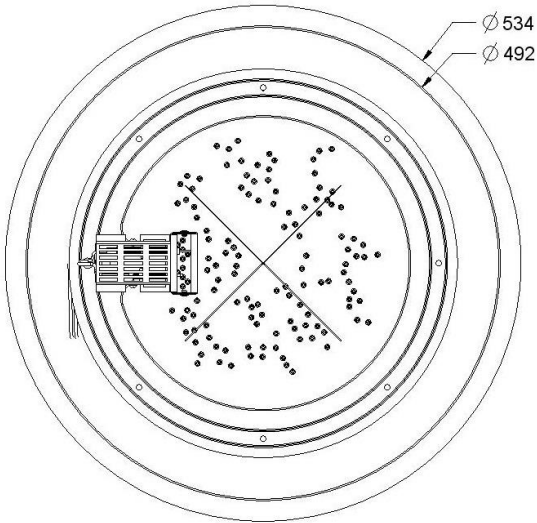
**NOTE: MAXIMUM ALLOWABLE
MATERIAL BEHIND WALL
PLATE IS 4mm**





INSTALLATION INSTRUCTIONS CFP MANUAL IGNITION FOR PATIO HORIZON GAS FIREPLACE RANGE

DIMENSIONS



COMBUSTIBLE MATERIALS

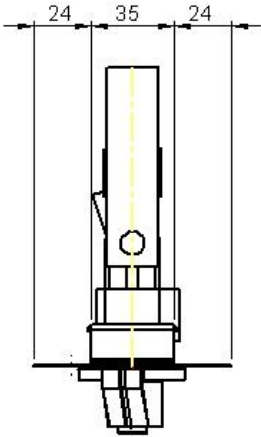
NOTE: MAXIMUM ALLOWABLE MATERIAL BEHIND WALL PLATE IS 4mm



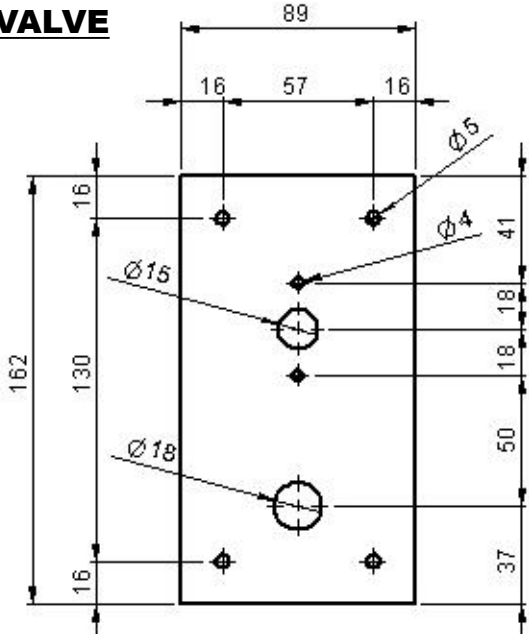


**INSTALLATION INSTRUCTIONS CFP MANUAL IGNITION FOR PATIO HORIZON
GAS FIREPLACE RANGE**

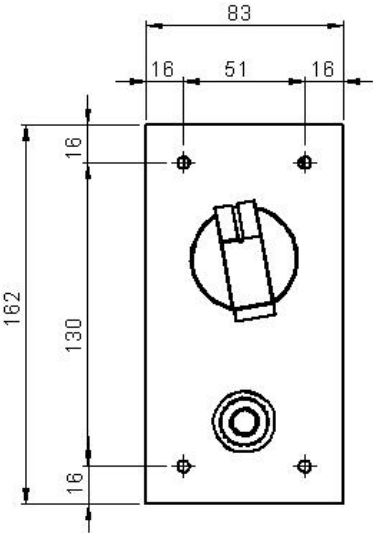
IGNITER / GAS VALVE



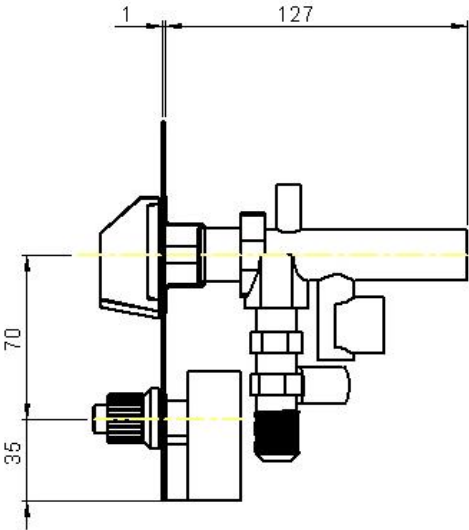
TOP VIEW



NOTE: USE THIS FACE PLATE AS A TEMPLATE



FRONT VIEW

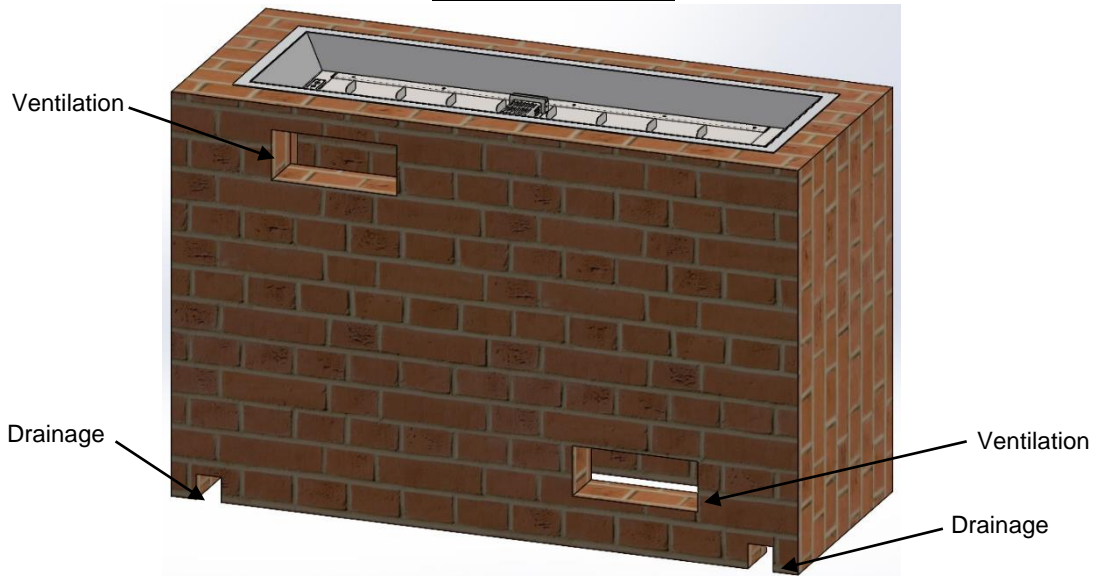


SIDE VIEW



INSTALLATION INSTRUCTIONS CFP MANUAL IGNITION FOR PATIO HORIZON GAS FIREPLACE RANGE

VENTILATION



The housing for the burner must be placed on a surface that is sealed and is not prone to moisture retention.

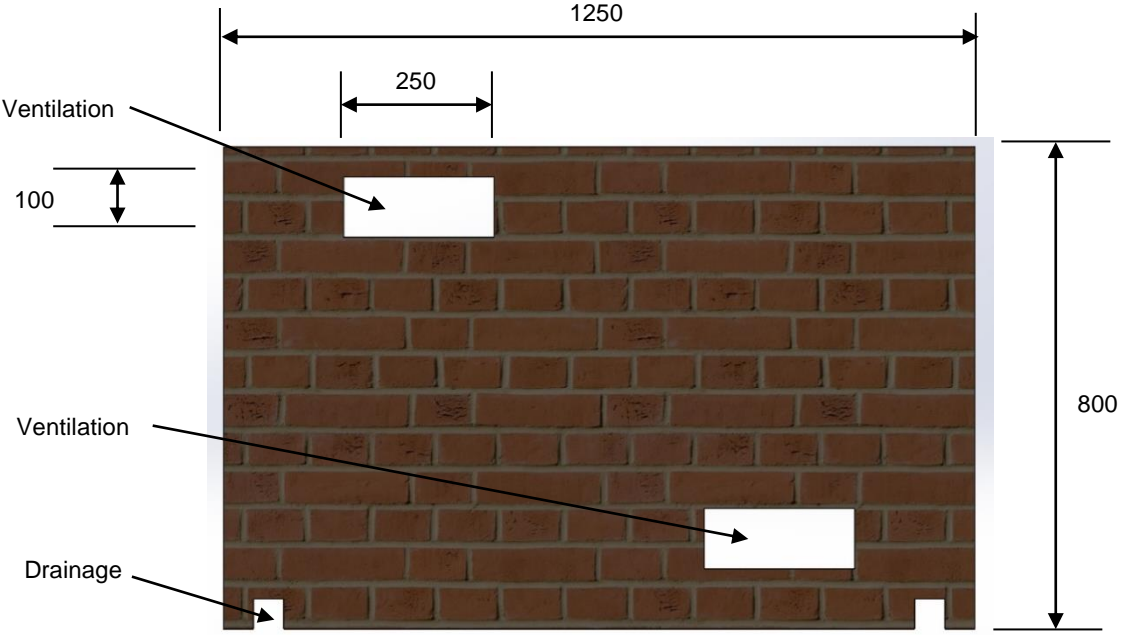
NOTE: The example cut outs shown on this face also needs to be installed on the adjacent face.

- NOTE:**
- DRAINAGE AND THROUGH VENTILATION IS NECESSARY TO THE CONSTRUCTION / HOUSING OF THE RECTANGLE BURNER.
 - A MASONRY STRUCTURE WILL REQUIRE A VAPOUR BARRIER TO PREVENT RISING DAMP.

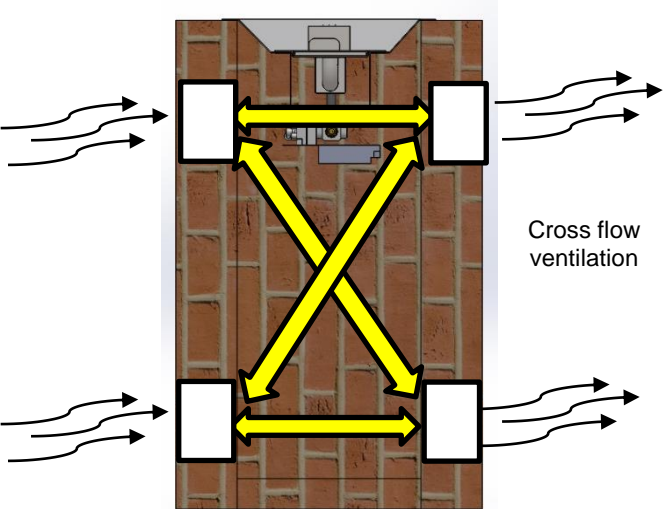


INSTALLATION INSTRUCTIONS CFP MANUAL IGNITION FOR PATIO HORIZON GAS FIREPLACE RANGE

VENTILATION



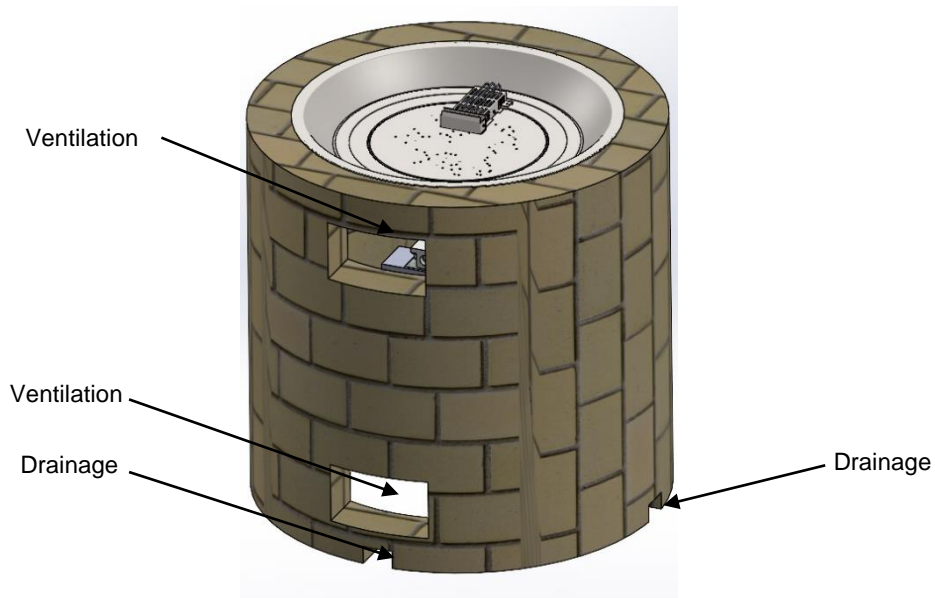
NOTE: The example cut outs shown is the minimum requirement according to the height and width of the panel
25000 mm² hole can be eg. 100x250 / 70x357 / 25x1000mm
Ensure the floor material does not retain moisture.





**INSTALLATION INSTRUCTIONS CFP MANUAL IGNITION FOR PATIO HORIZON
GAS FIREPLACE RANGE**

VENTILATION



The housing for the burner must be placed on a surface that is sealed and is not prone to moisture retention.

NOTE: The example cut outs shown on this face also needs to be shown on the adjacent face.

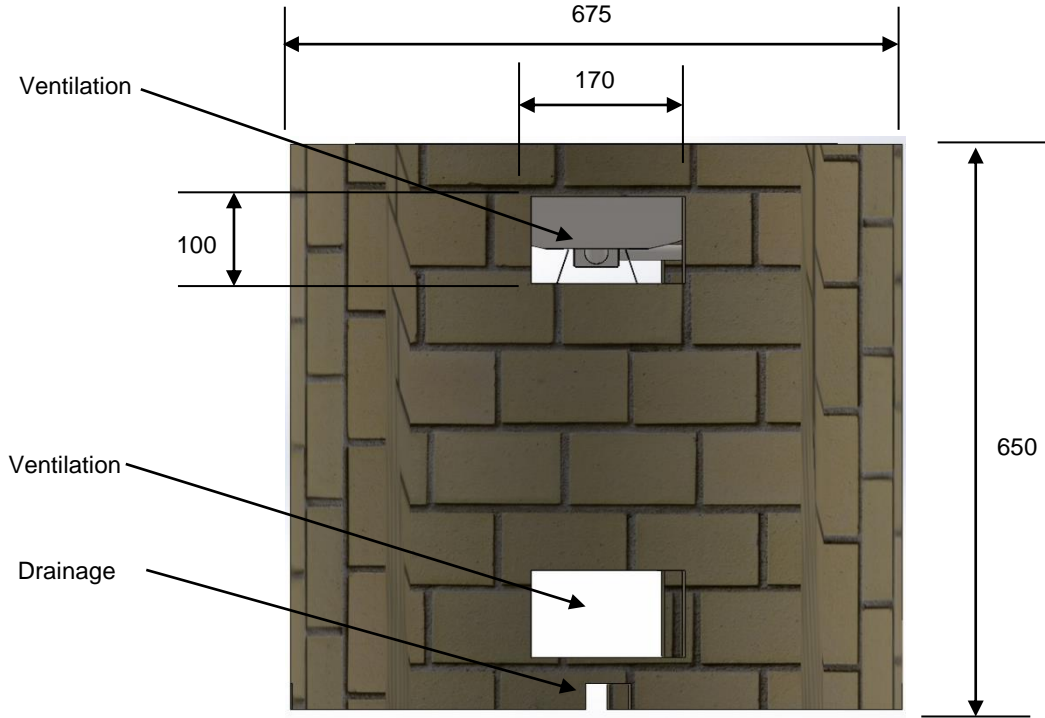
NOTE:

- DRAINAGE AND THROUGH VENTILATION IS NECESSARY TO THE CONSTRUCTION / HOUSING OF THE ROUND BURNER.
- A MASONRY STRUCTURE WILL REQUIRE A VAPOUR BARRIER TO PREVENT RISING DAMP.

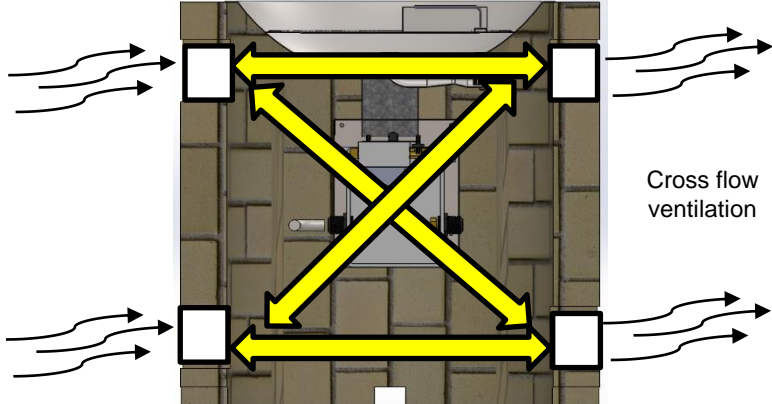


INSTALLATION INSTRUCTIONS CFP MANUAL IGNITION FOR PATIO HORIZON GAS FIREPLACE RANGE

VENTILATION



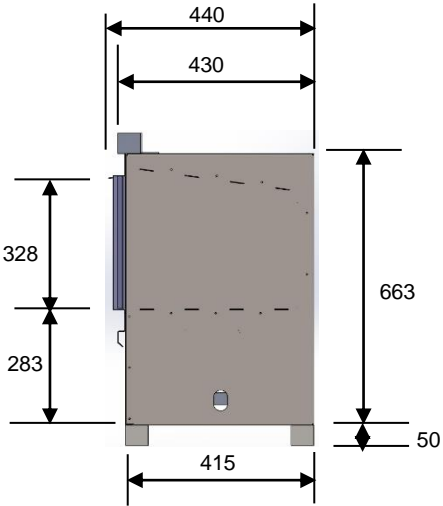
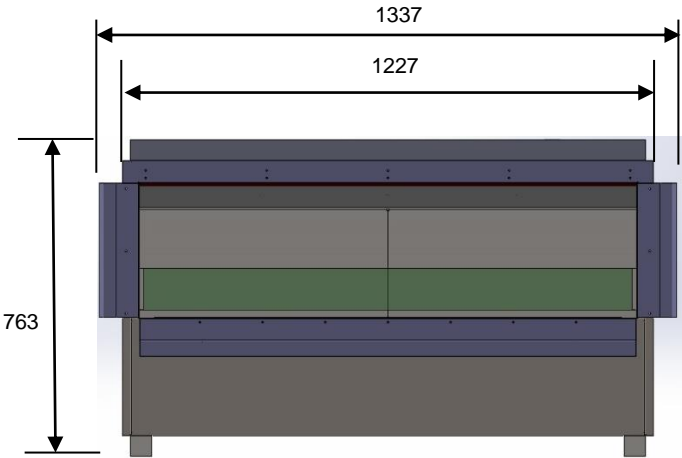
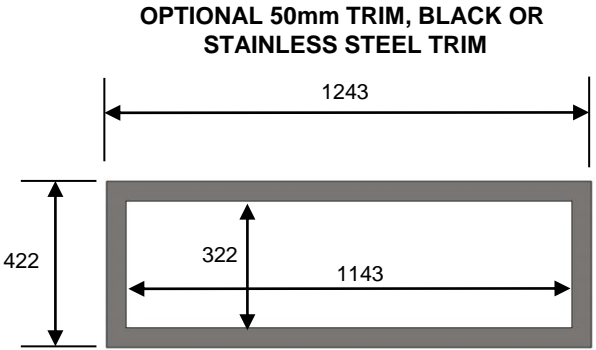
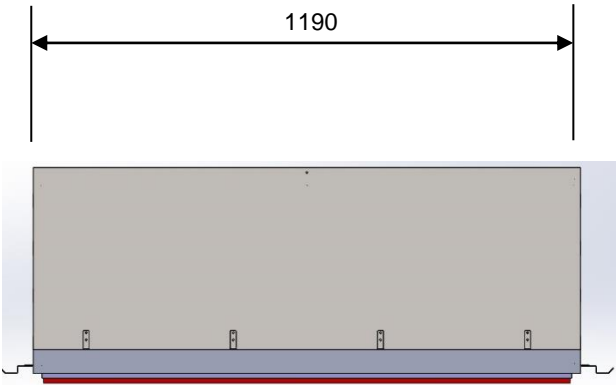
NOTE: The example cut outs shown is the minimum requirement according to the height and area of half of the stand diameter.
17000 mm² (based on 2.5% half of diameter face of stand) eg. 170x100 / 340x50mm
Ensure that the floor material that does not retain moisture.





INSTALLATION INSTRUCTIONS CFP MANUAL IGNITION FOR PATIO HORIZON GAS FIREPLACE RANGE

PATIO HORIZON PANORAMIC DIMENSIONS

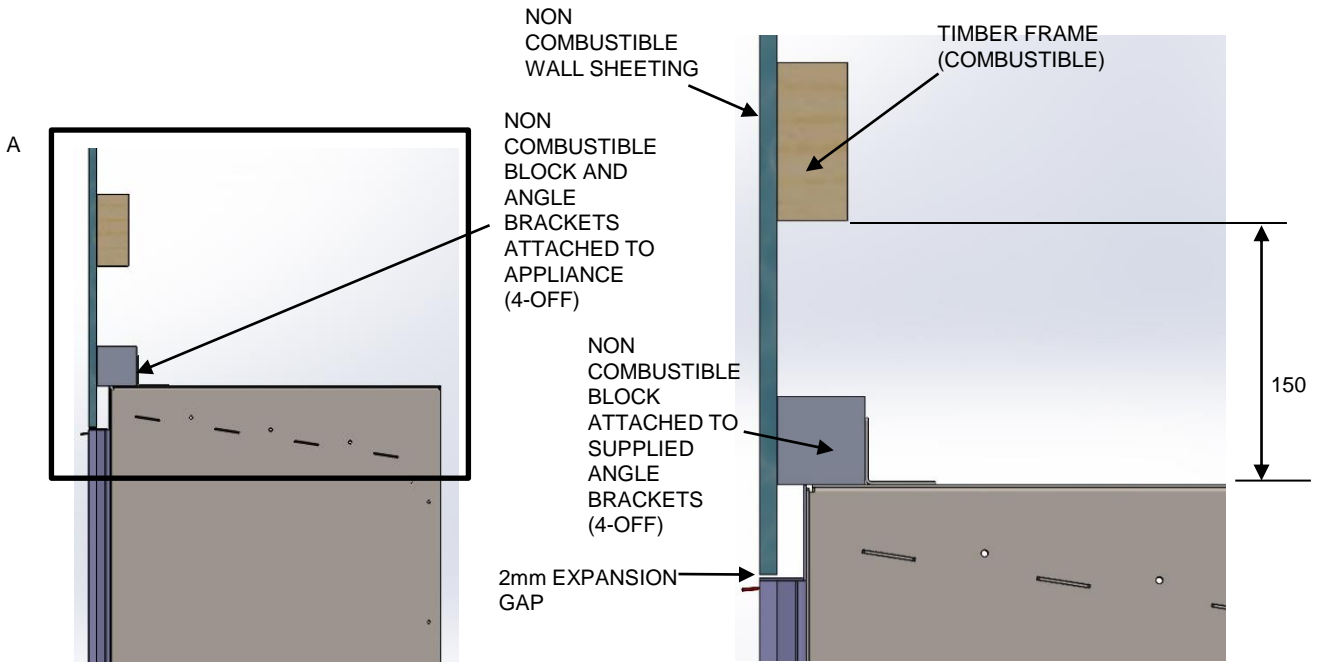


**Minimum 50mm blocks to be installed by builder
If unit is to be built in a restricted air flow cavity**

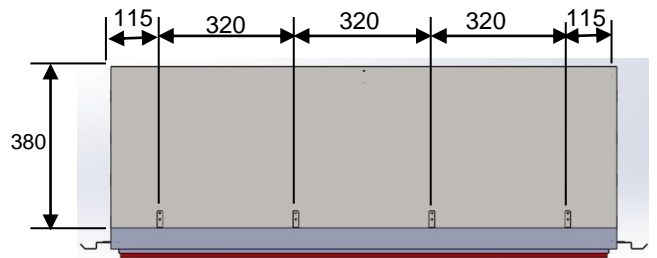


INSTALLATION INSTRUCTIONS CFP MANUAL IGNITION FOR PATIO HORIZON GAS FIREPLACE RANGE

PATIO HORIZON PANORAMIC SHEETING DETAIL



DETAIL A



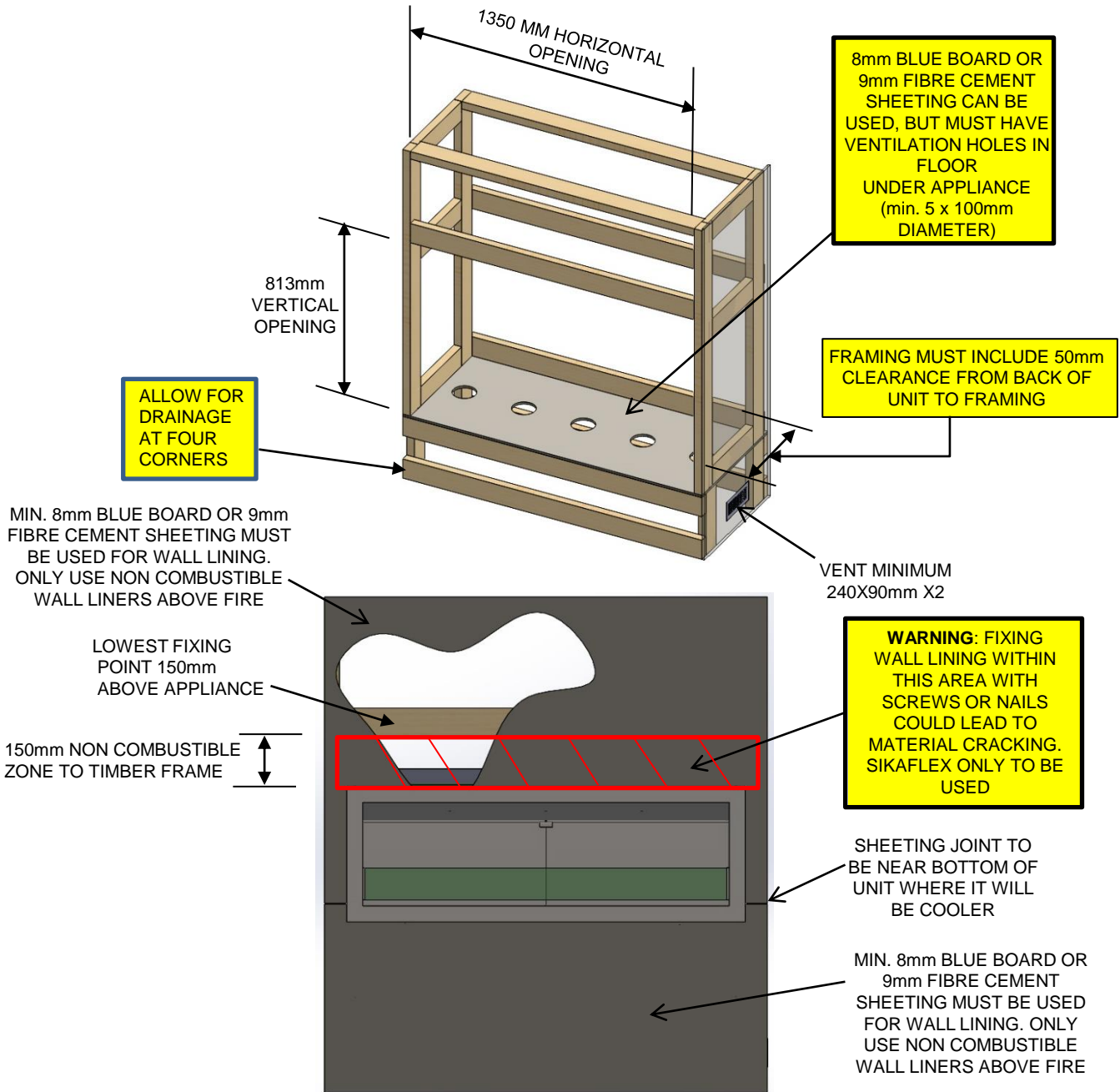
NON COMBUSTIBLE BLOCK AND ANGLE BRACKET POSITIONS

- NON COMBUSTIBLE BLOCK ATTACHMENT KIT:**
- 1- OFF 50x50mm SQUARE BLOCK
 - 1- OFF ANGLE BRACKET PACK
 - 8- OFF TEK SCREWS



**INSTALLATION INSTRUCTIONS CFP MANUAL IGNITION FOR PATIO HORIZON
GAS FIREPLACE RANGE**

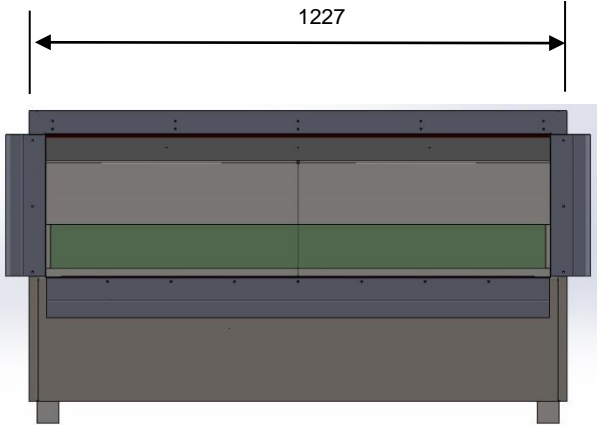
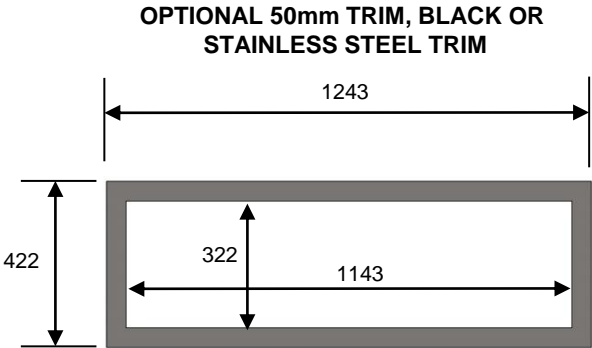
TIMBER FRAMING INFORMATION



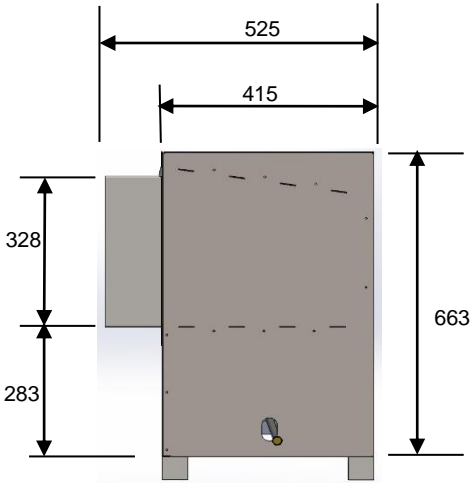


**INSTALLATION INSTRUCTIONS CFP MANUAL IGNITION FOR PATIO HORIZON
GAS FIREPLACE RANGE**

PATIO HORIZON PANORAMIC MASONRY DIMENSIONS



FASCIA OMITTED FROM VIEW

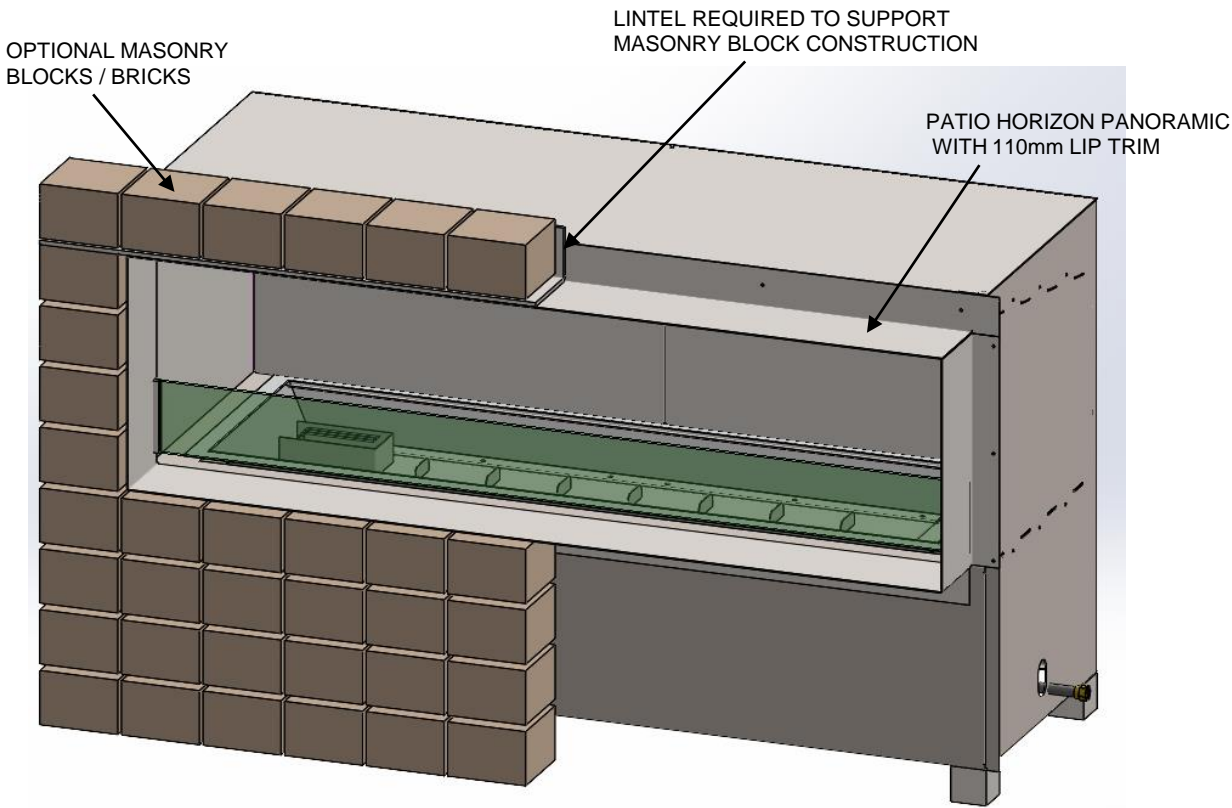


**Minimum 50mm blocks to be installed by builder
If unit is to be built in a restricted air flow cavity**



INSTALLATION INSTRUCTIONS CFP MANUAL IGNITION FOR PATIO HORIZON GAS FIREPLACE RANGE

PATIO HORIZON PANORAMIC MASONRY TRIM OPTION



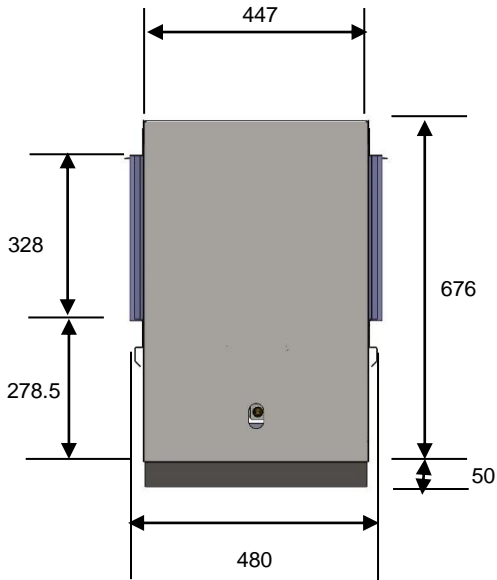
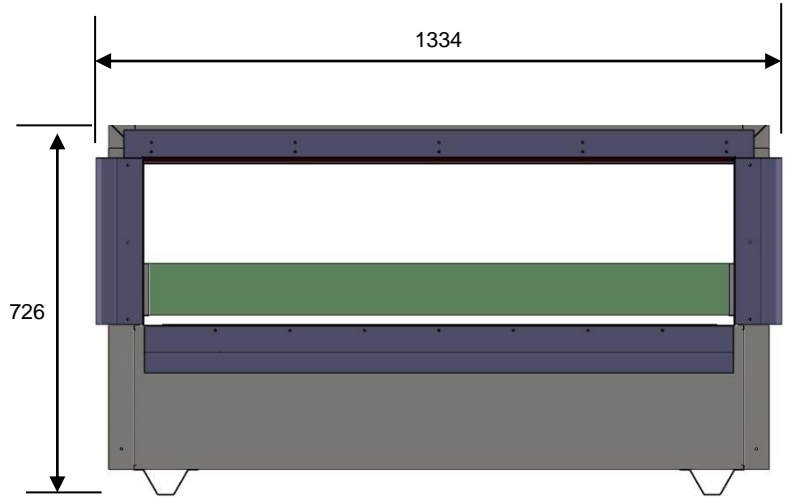
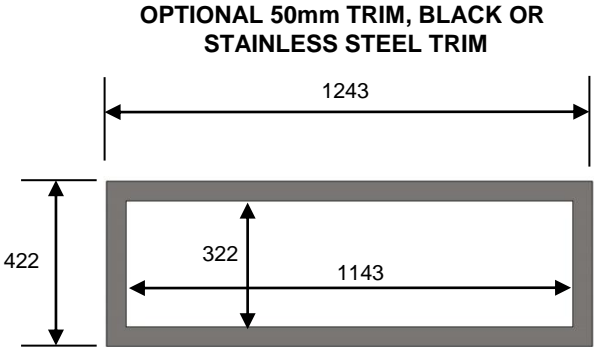
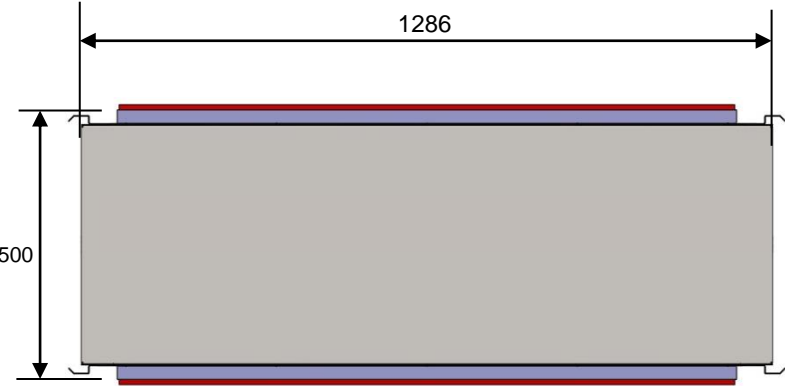
**Minimum 50mm blocks to be installed by builder
If unit is to be built in a restricted air flow cavity**

IMPORTANT: VENTILATION AND DRAINAGE HOLES MUST BE BUILT INTO MASONRY INSTALLATION



**INSTALLATION INSTRUCTIONS CFP MANUAL IGNITION FOR PATIO HORIZON
GAS FIREPLACE RANGE**

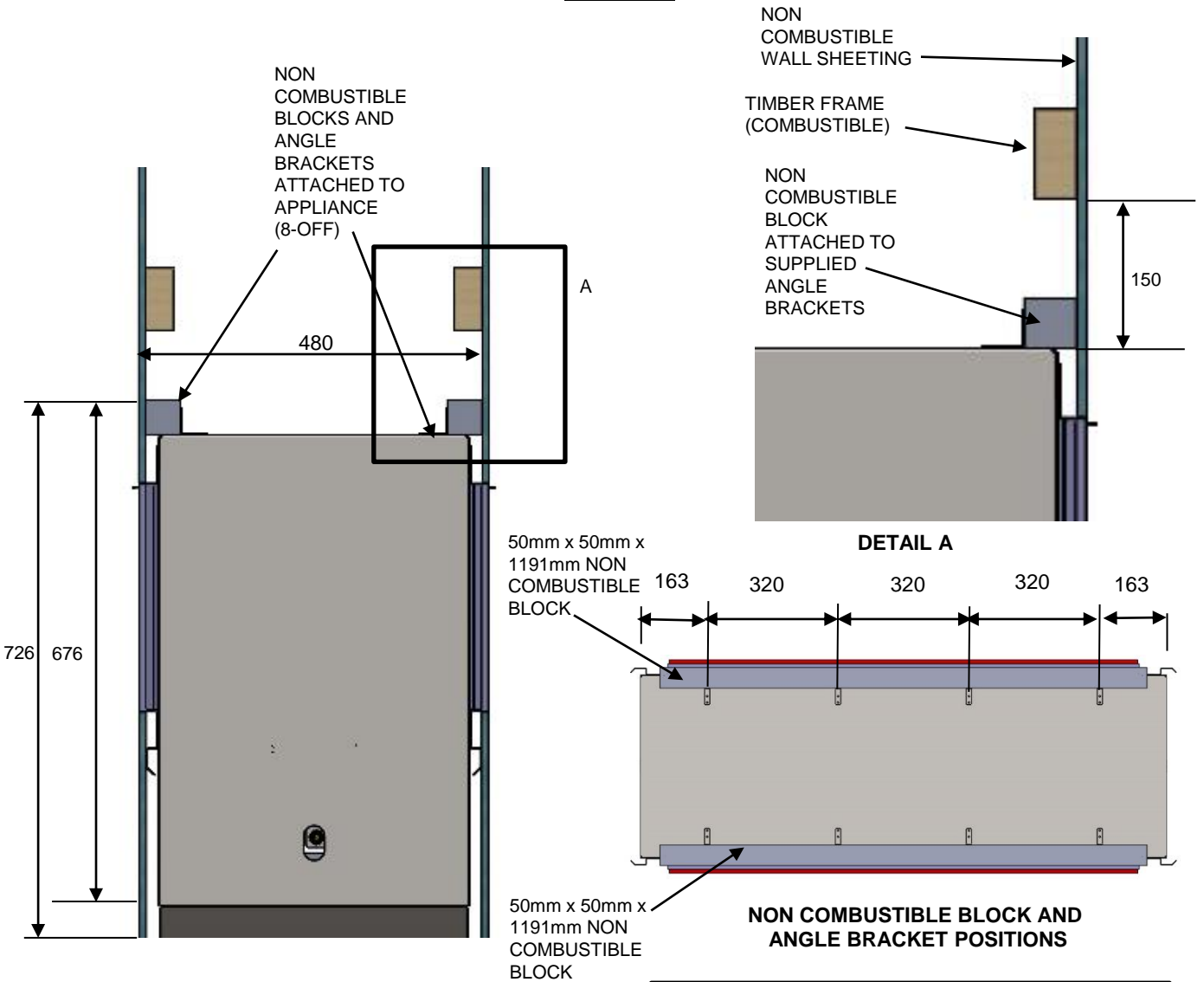
**PATIO HORIZON DOUBLE SIDED
PANORAMIC DIMENSIONS**





**INSTALLATION INSTRUCTIONS CFP MANUAL IGNITION FOR PATIO HORIZON
GAS FIREPLACE RANGE**

**PATIO HORIZON DOUBLE SIDED PANORAMIC SHEETING
DETAIL**

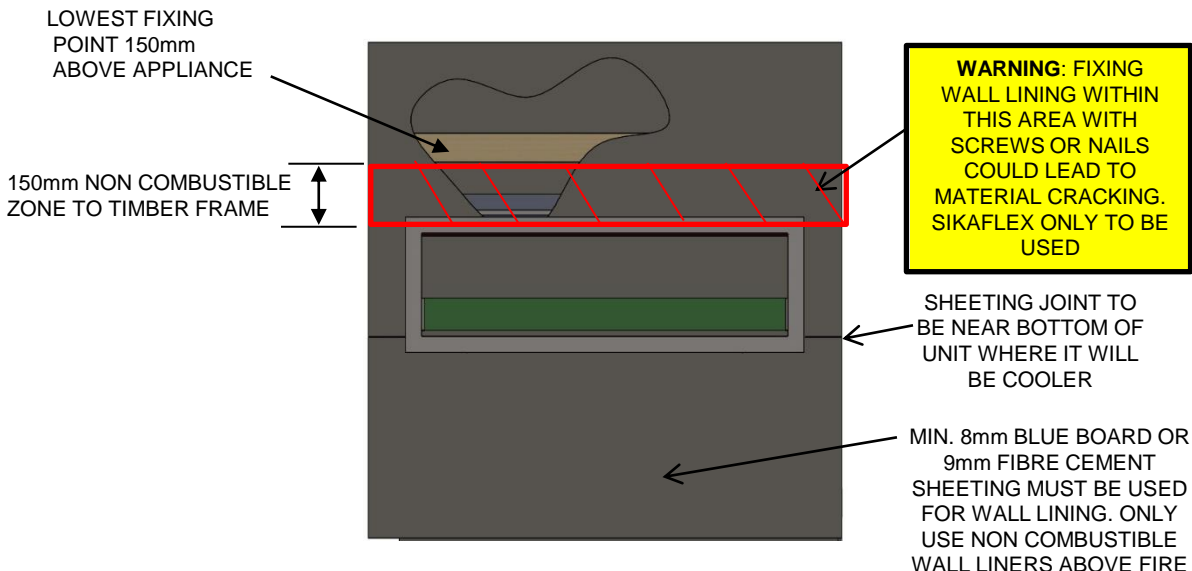
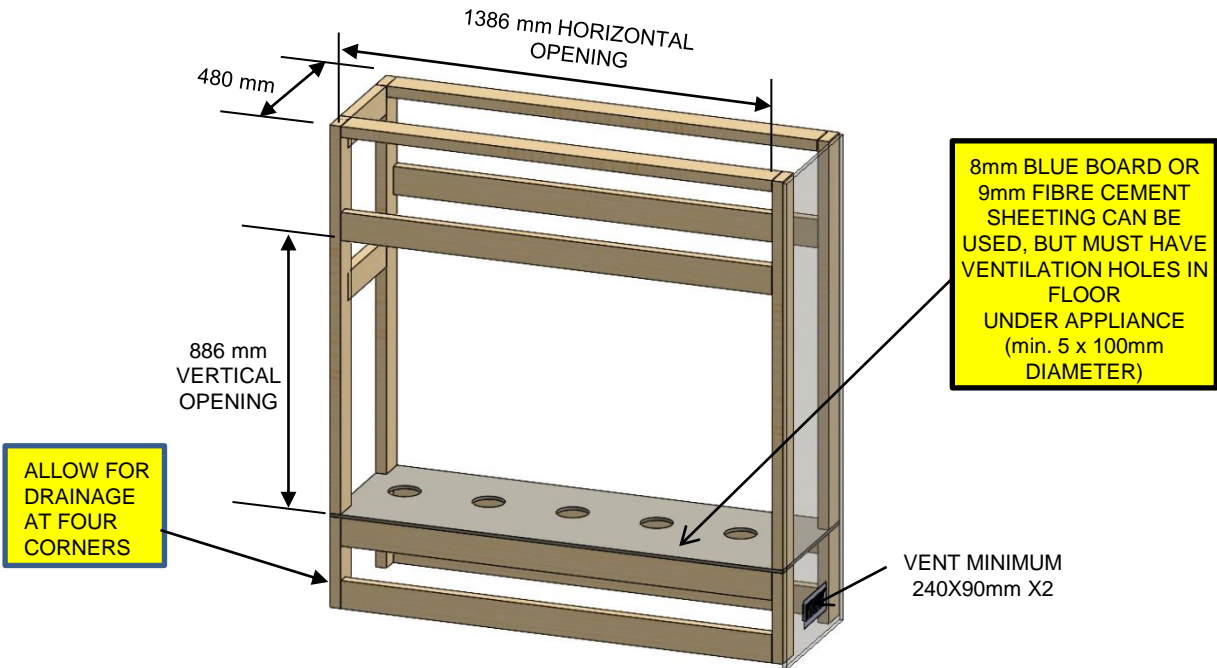


- NON COMBUSTIBLE BLOCK ATTACHMENT KIT:**
- 2 - OFF 50x50mm SQUARE BLOCK
 - 2 - OFF ANGLE BRACKET PACK
 - 16 - OFF TEK SCREWS



**INSTALLATION INSTRUCTIONS CFP MANUAL IGNITION FOR PATIO HORIZON
GAS FIREPLACE RANGE**

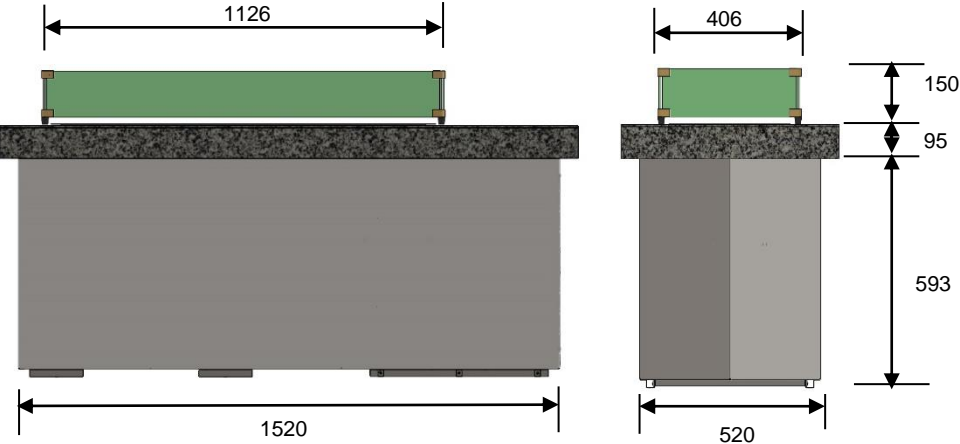
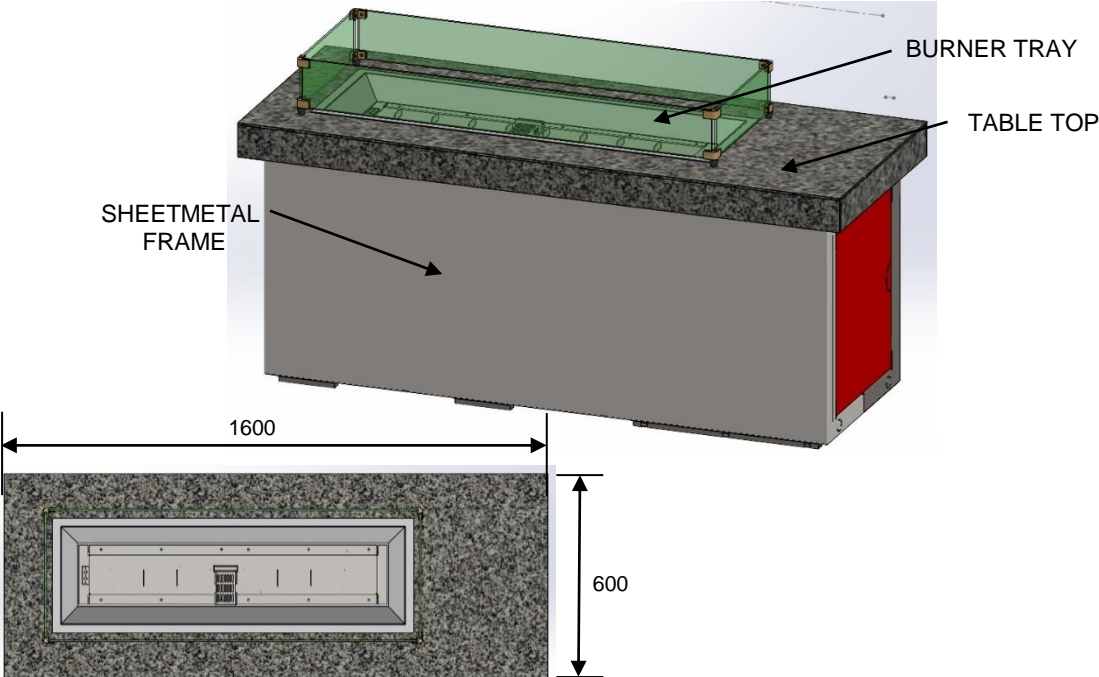
**PATIO HORIZON DOUBLE SIDED PANORAMIC SHEETING
DETAIL**





INSTALLATION INSTRUCTIONS CFP MANUAL IGNITION FOR PATIO HORIZON GAS FIREPLACE RANGE

PATIO HORIZON ISLAND DIMENSIONS

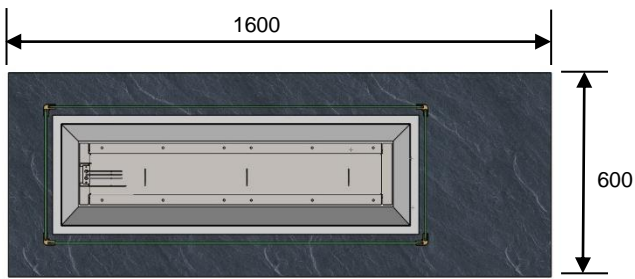
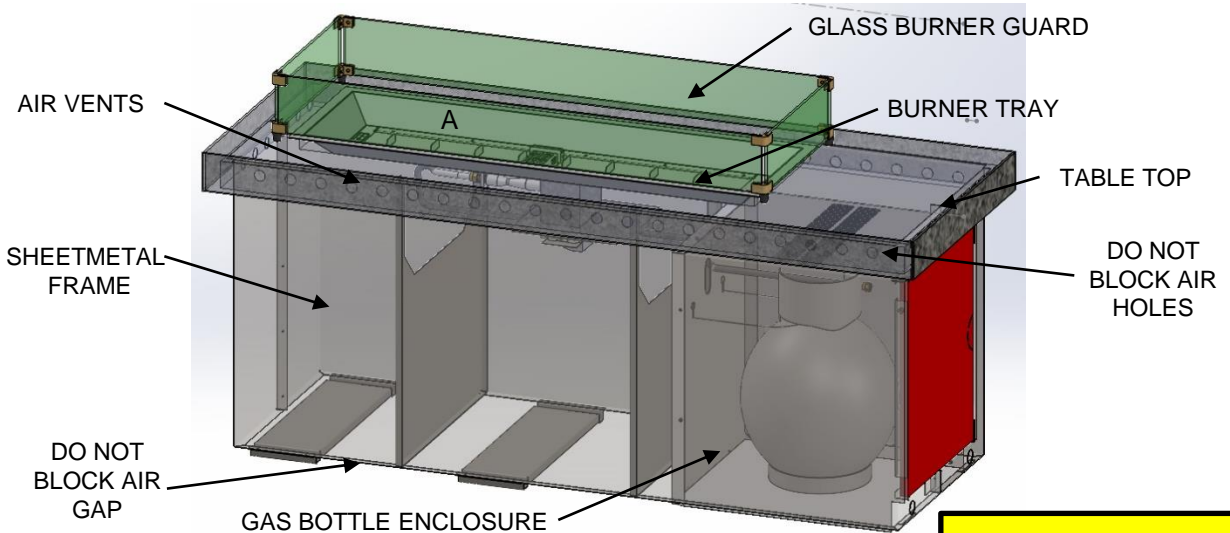


	A	B	C	D	E	F	G	H
MEASUREMENT	1600	1520	600	520	95	593	-	-

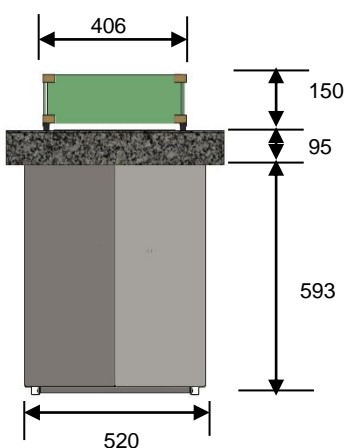
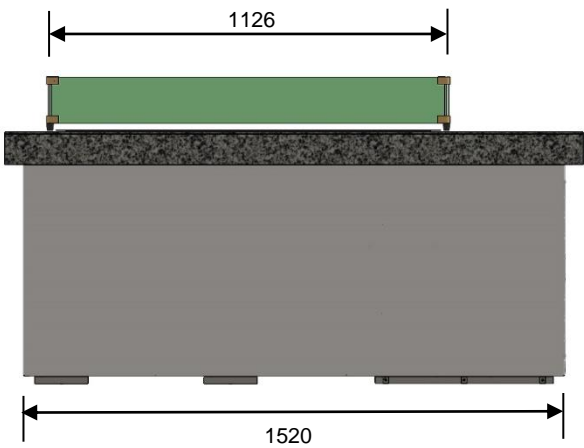


INSTALLATION INSTRUCTIONS FOR PATIO HORIZON GAS FIREPLACE RANGE

PATIO HORIZON ISLAND DIMENSIONS



**IMPORTANT:
OPTIONAL
CLADDING MUST
NOT RESTRICT
AIR
FLOW**

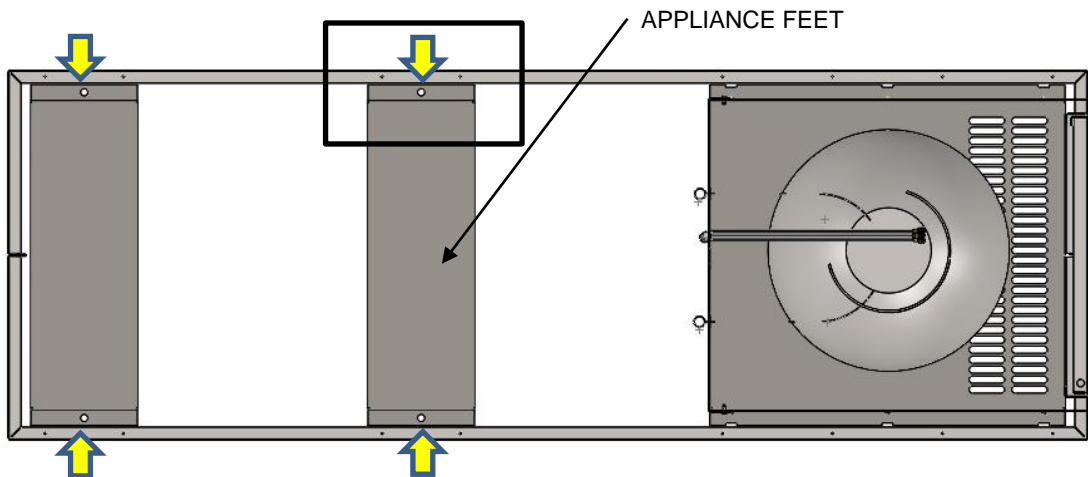
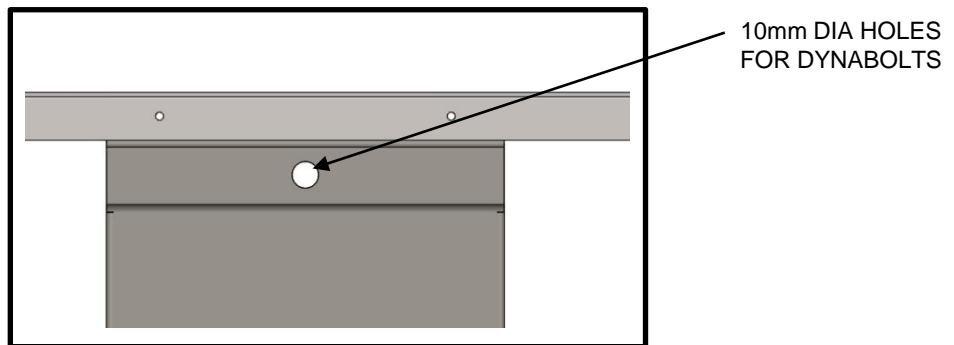




**INSTALLATION INSTRUCTIONS CFP MANUAL IGNITION FOR PATIO HORIZON
GAS FIREPLACE RANGE**

STABILITY:

FIX THE UNIT TO THE GROUND AS REQUIRED



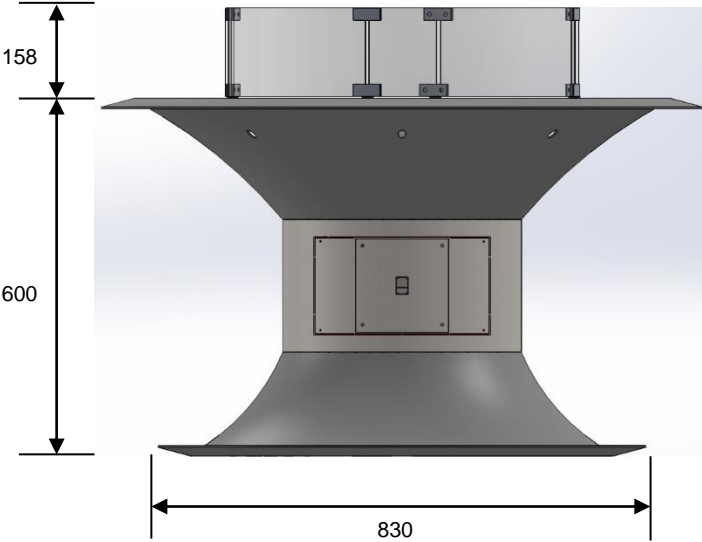
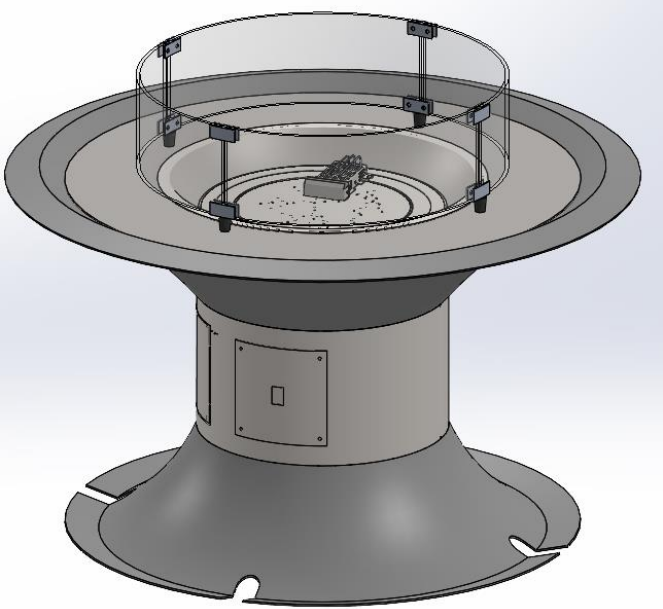
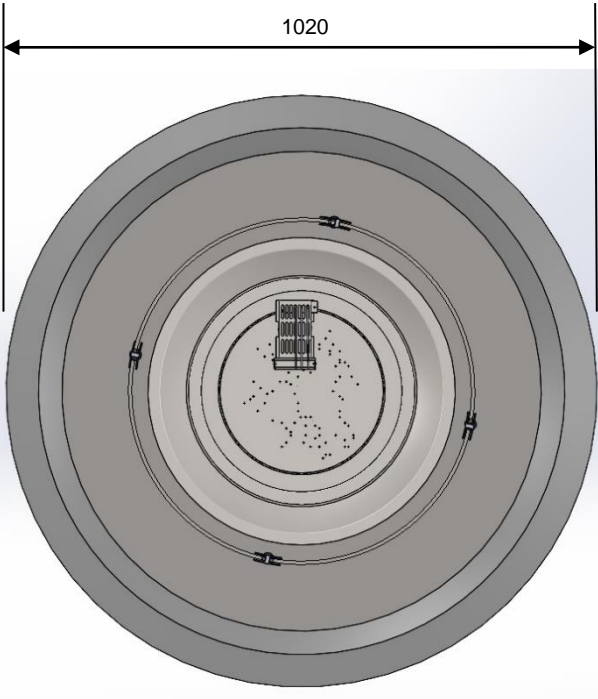
NOTE:

- POSITION THE UNIT IN THE REQUIRED AREA.
- REMOVE THE TABLE TOP TO EXPOSE THE FEET OF THE APPLIANCE. LOCATE HOLES AS SHOWN.
- USE THE EXISTING HOLES AND DRILL WITH CONCRETE DRILL BITS TO THE REQUIRED DEPTH. REPEAT PROCESS AS REQUIRED.
- PUSH CORRESPONDING DYNABOLTS INTO THE DRILLED HOLE/S AND TIGHTEN.
- THE UNIT SHOULD NOW BE STABILISED AND WILL NOT TILT ON A SIDE TO SIDE MOTION.



**INSTALLATION INSTRUCTIONS CFP MANUAL IGNITION FOR PATIO HORIZON
GAS FIREPLACE RANGE**

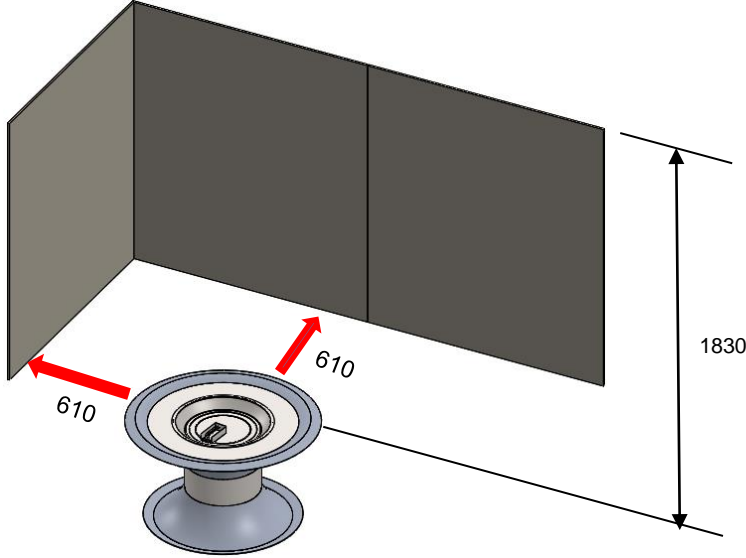
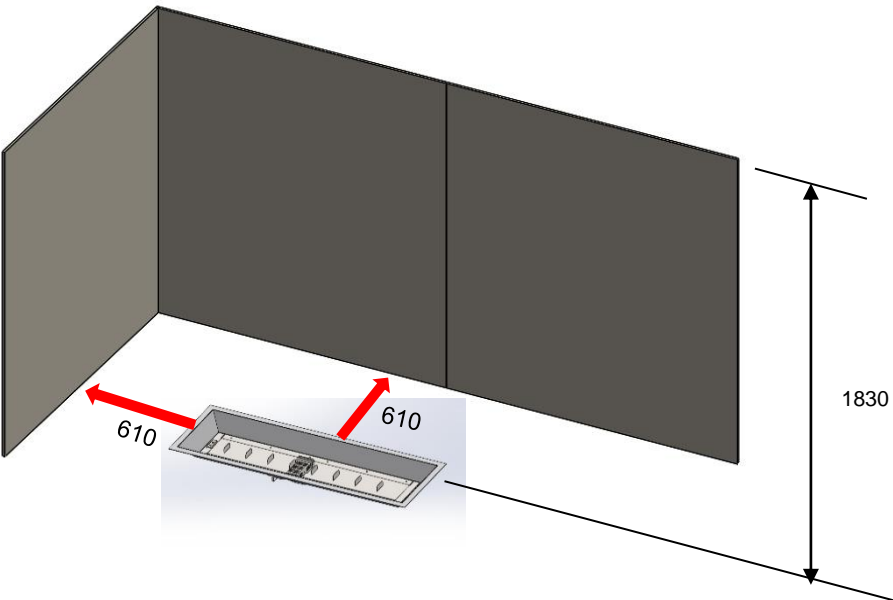
PATIO HORIZON ONYX DIMENSIONS





INSTALLATION INSTRUCTIONS CFP MANUAL IGNITION FOR PATIO HORIZON GAS FIREPLACE RANGE

CLEARANCES:
TO THE NEAREST COMBUSTIBLES



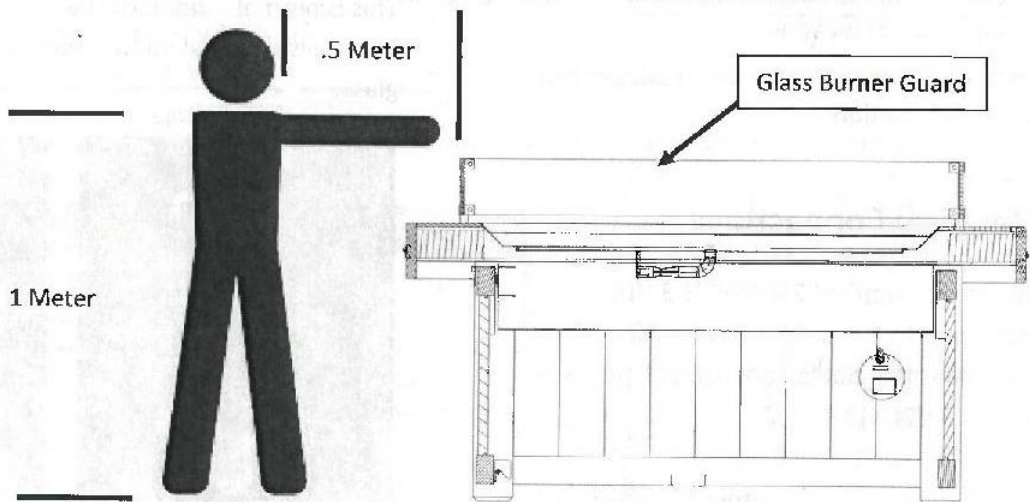


INSTALLATION INSTRUCTIONS CFP MANUAL IGNITION FOR PATIO HORIZON GAS FIREPLACE RANGE

FIELD CONSTRUCTED FIRE TABLES

Touchability of flames- Per IEC Guide 117, children of up to 6 years old.

Table dimensions must meet the following requirements and be fixed to the ground.



Burner Guard must be permanently attached based on table height. You may need to use a 150mm or 300mm guard to meet the requirements of IEC Guide 117.

- PT# GG-1242-150AU – 1133 x 394 x 150mm tall Glass Guard



INSTALLATION INSTRUCTIONS CFP MANUAL IGNITION FOR PATIO HORIZON GAS FIREPLACE RANGE

LOCATION REQUIREMENTS

Appendix E

FIGURE E2 - OUTDOOR AREA - EXAMPLE 2

DIAGRAMMATICAL REPRESENTATIONS OF OUT DOOR AREAS - INFORMATIVE

The following figures are diagrammatical representations of outdoor areas as described in the definition Clause 1.2.49. Rectangular areas have been used in these figures - the same principles apply to any other shaped area.

FIGURE E1 - OUTDOOR AREA – EXAMPLE 1

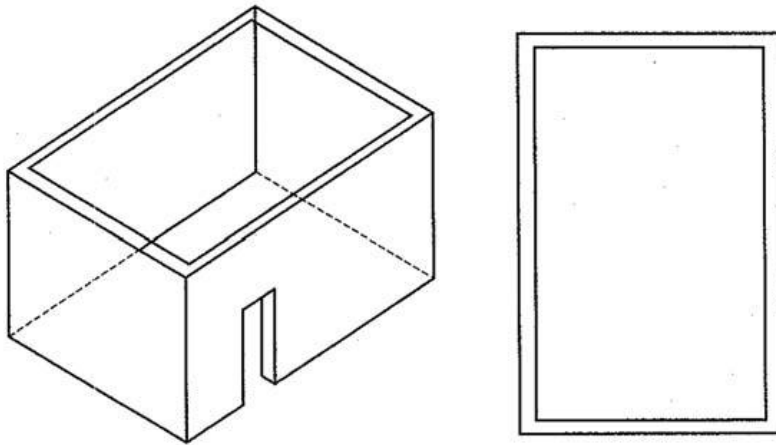
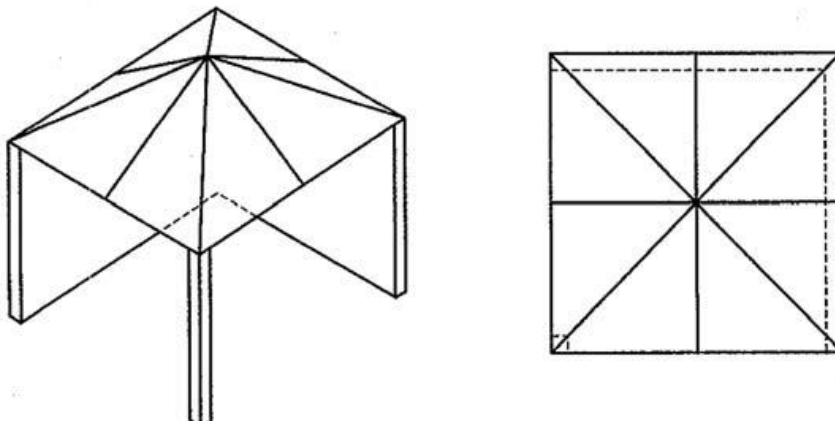


FIGURE E2 - OUTDOOR AREA - EXAMPLE 2



**INSTALLATION INSTRUCTIONS CFP MANUAL IGNITION FOR PATIO HORIZON
GAS FIREPLACE RANGE**

FIGURE E3 - OUTDOOR AREA - EXAMPLE 3

Appendix E CONTINUED

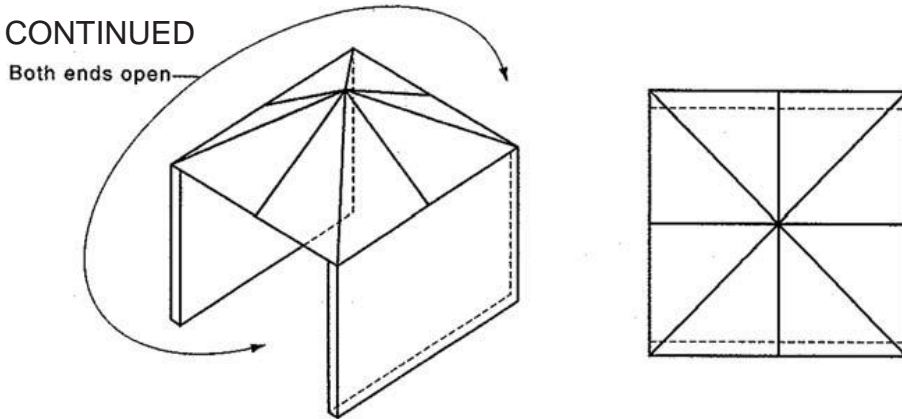


FIGURE E4 - OUTDOOR AREA - EXAMPLE 4

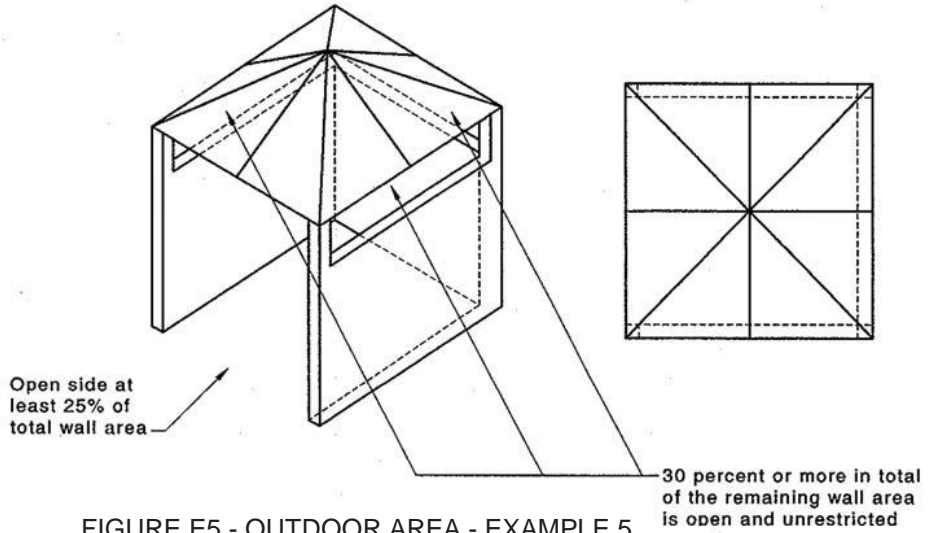
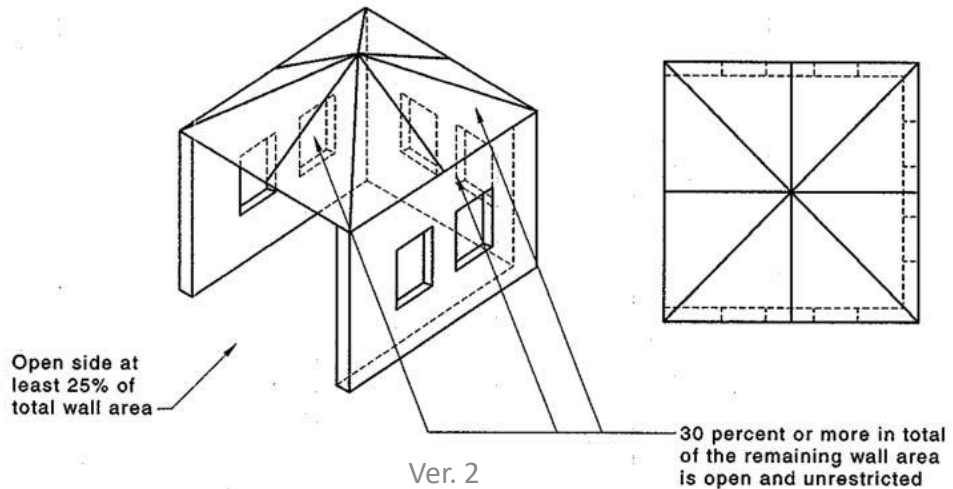


FIGURE E5 - OUTDOOR AREA - EXAMPLE 5





**INSTALLATION INSTRUCTIONS CFP MANUAL IGNITION FOR PATIO HORIZON
GAS FIREPLACE RANGE**

WARRANTY FOR ALL PATIO HORIZON MODELS

1. Provided the appliance has been correctly installed according to instructions, Kemlan guarantee the cost of replacing parts and the labour in connection therewith for a period of 12 months from the date of installation.

2. **THIS WARRANTY DOES NOT COVER –**
 - 2.1 Failure to comply with manufacturer’s operation instructions.
 - 2.2 Normal wear and tear or damage caused by incorrect installation.
 - 2.3 Any form of rust and/or corrosion to the painted finish of the heater.
 - 2.4 Damage caused by water ingress.
 - 2.5 Cost of removal of defective heater or re-installation of replacement heater.
 - 2.6 Failure to use fireplace components supplied by Kemlan Industries Pty Ltd.
 - 2.7 Cost of inspection for damaged heater.

3. **CLAIMS –**
 - 3.1 Should any defects occur, contact the Kemlan distributor from whom you purchased the heater.
 - 3.2 Under this warranty the defective parts will be repaired or replaced by Kemlan’s option, free of charge.

4. The fireplace installation must comply with the relevant local statutes, ordinances, regulations and by-laws.

PLEASE COMPLETE AND RETAIN THIS SECTION FOR YOUR RECORDS

Purchased from:
Address:
Date of Purchase: