

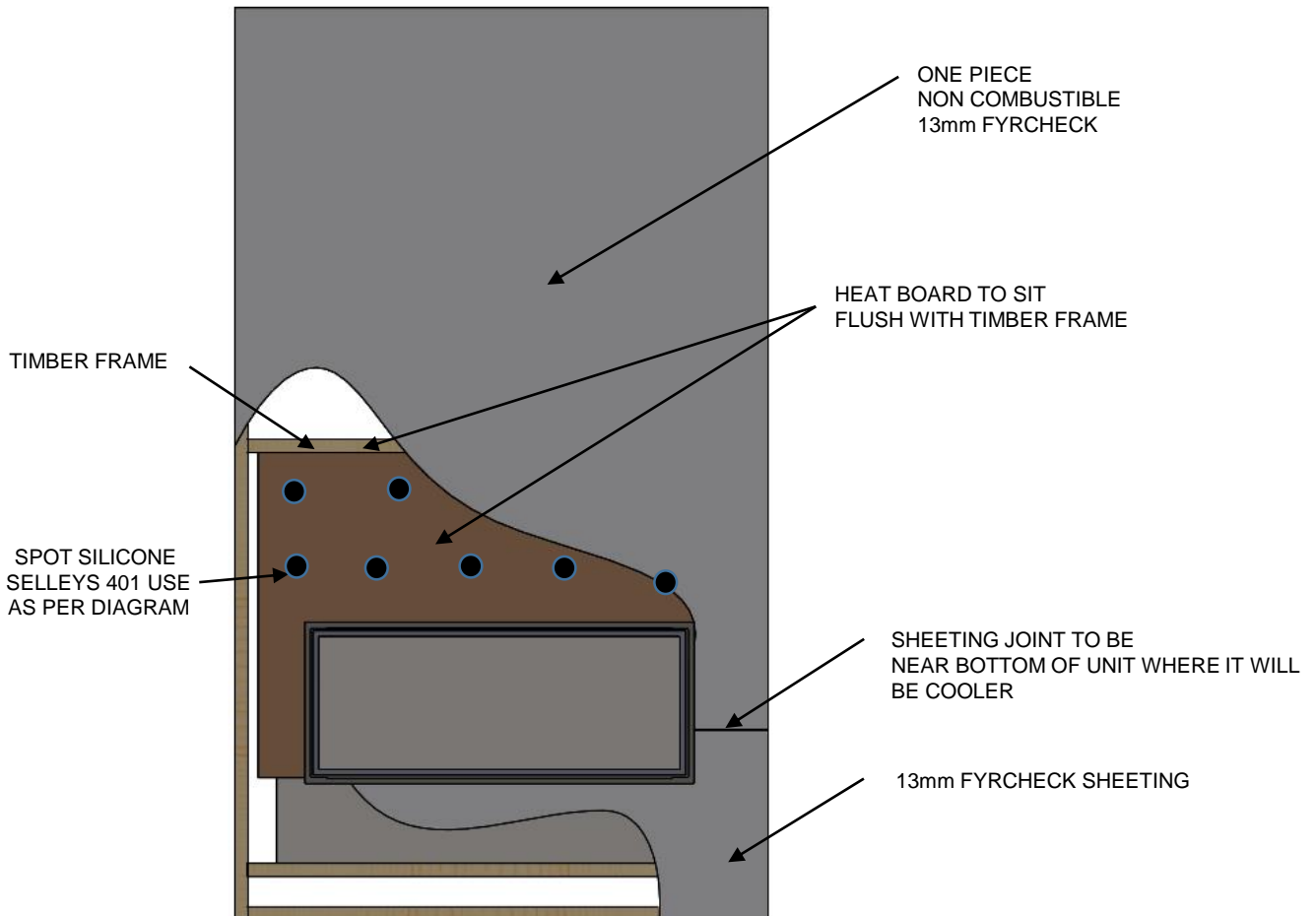
AUSTRALIAN RECOMMENDED MEZZO INSTALLATION INSTRUCTION

FOR MODELS:
MEZZO-1000-AU
MEZZO-1300-AU
MEZZO-1300ST-AU
MEZZO-1600-AU

Note: If the module is in LOCK OUT mode, resetting the circuit breaker to the appliance will also reset the module

Note: For units installed in Australia, the residence's 220/240 wall outlet to which this appliance's power cord is connected, must be wired to an in-line on/off switch. This is required for servicing and/or resetting the control module in the event of a control module LOCK-OUT.

MEZZO SHEETING INSTALLATION INSTRUCTION

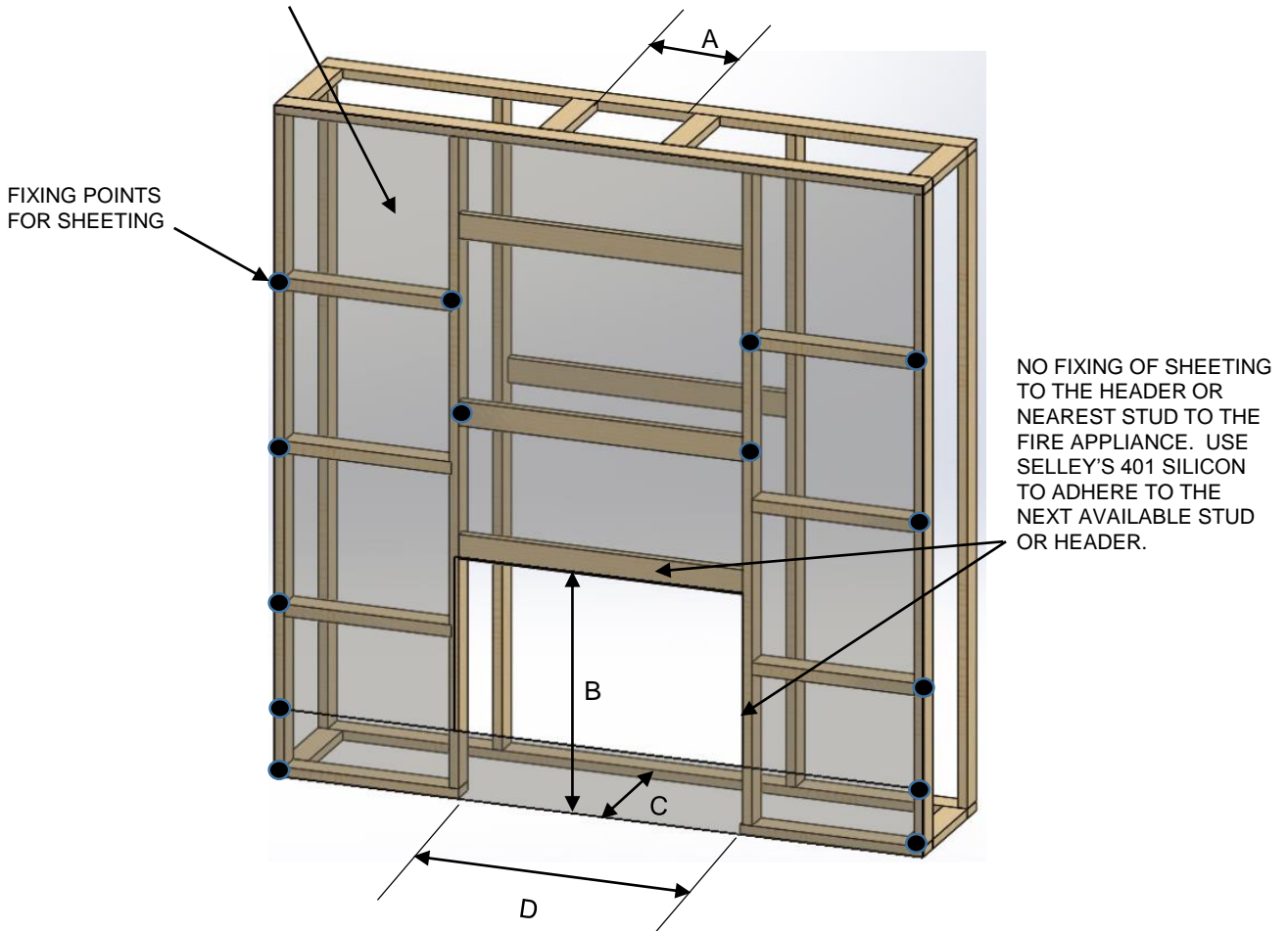


IMPORTANT:

- Wall lining is to be fixed to timber frame only
- At no point is the wall lining to be screwed or liquid glued to the unit. We recommend flexible heat rated silicon be used (**Selleys 401**) as per diagram
- The unit must be able to expand and contract independently to the frame and wall lining, otherwise cracking will occur.
- Unit and heat board is to finish flush with front of timber frame so that 13mm wall lining can be correctly finished
- If the fyrcheck sheeting is to be fixed to the heat board, **Selleys 401 silicone** must be used to allow for expansion.

MEZZO AUSTRALIAN FRAMING DIMENSIONS

NON COMBUSTIBLE SHEETING
13mm FYRCHECK MUST BE
FITTED AROUND FIRE

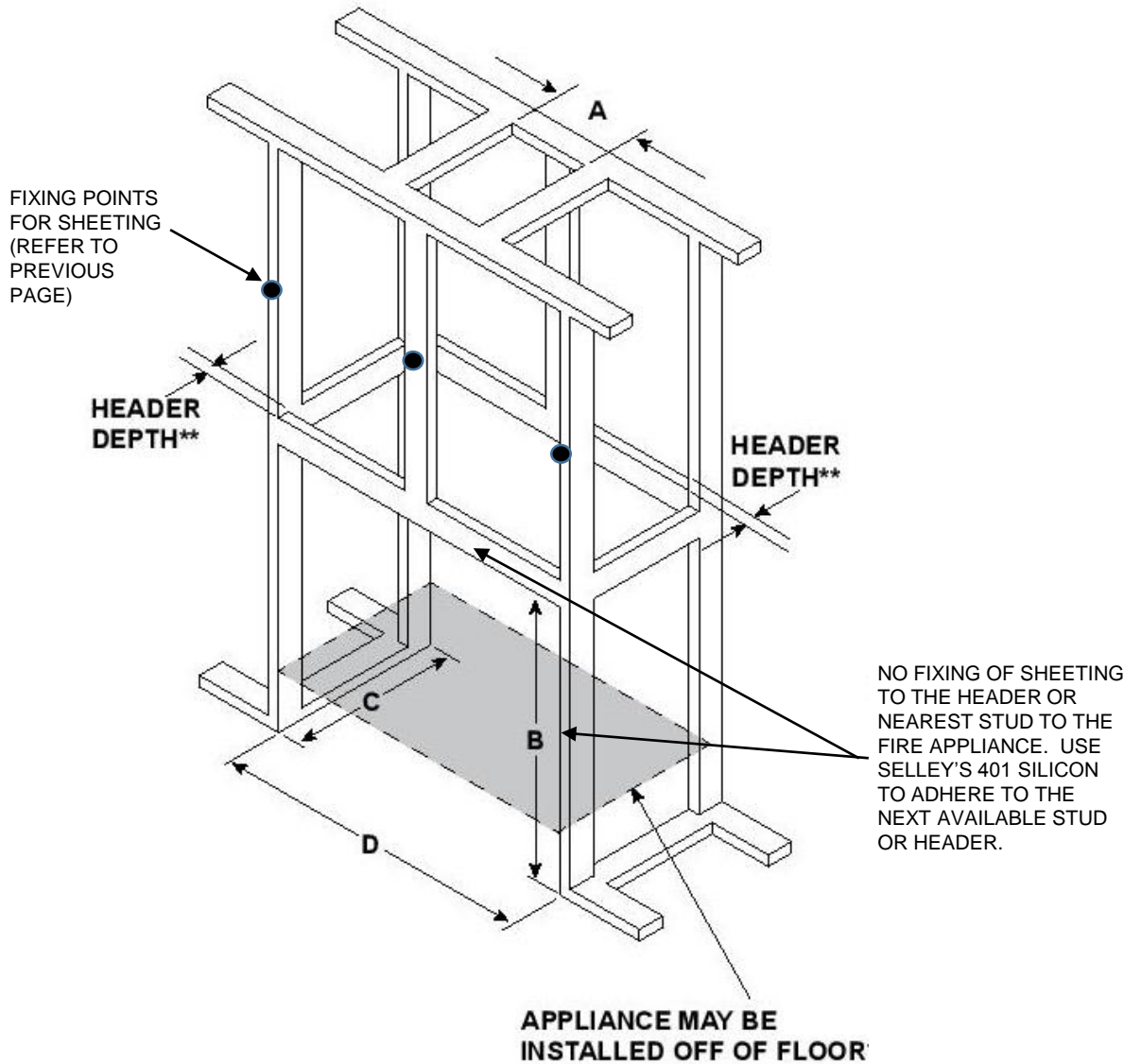


APPLIANCE MAY BE INSTALLED OFF OF FLOOR

MEZZO FRAMING DIMENSIONS				
Variant	Vent opening (A)	Opening height (B)	Opening depth (C)	Opening width (D)
MEZZO-1000-AU	254	1085	477	1275
MEZZO-1300-AU	254	1085	477	1580
MEZZO-1600-AU	254	1237	478	1885

NOTE: ADD 712mm TO "D" MEASUREMENT WHEN USING ONE OR TWO HEATZONES

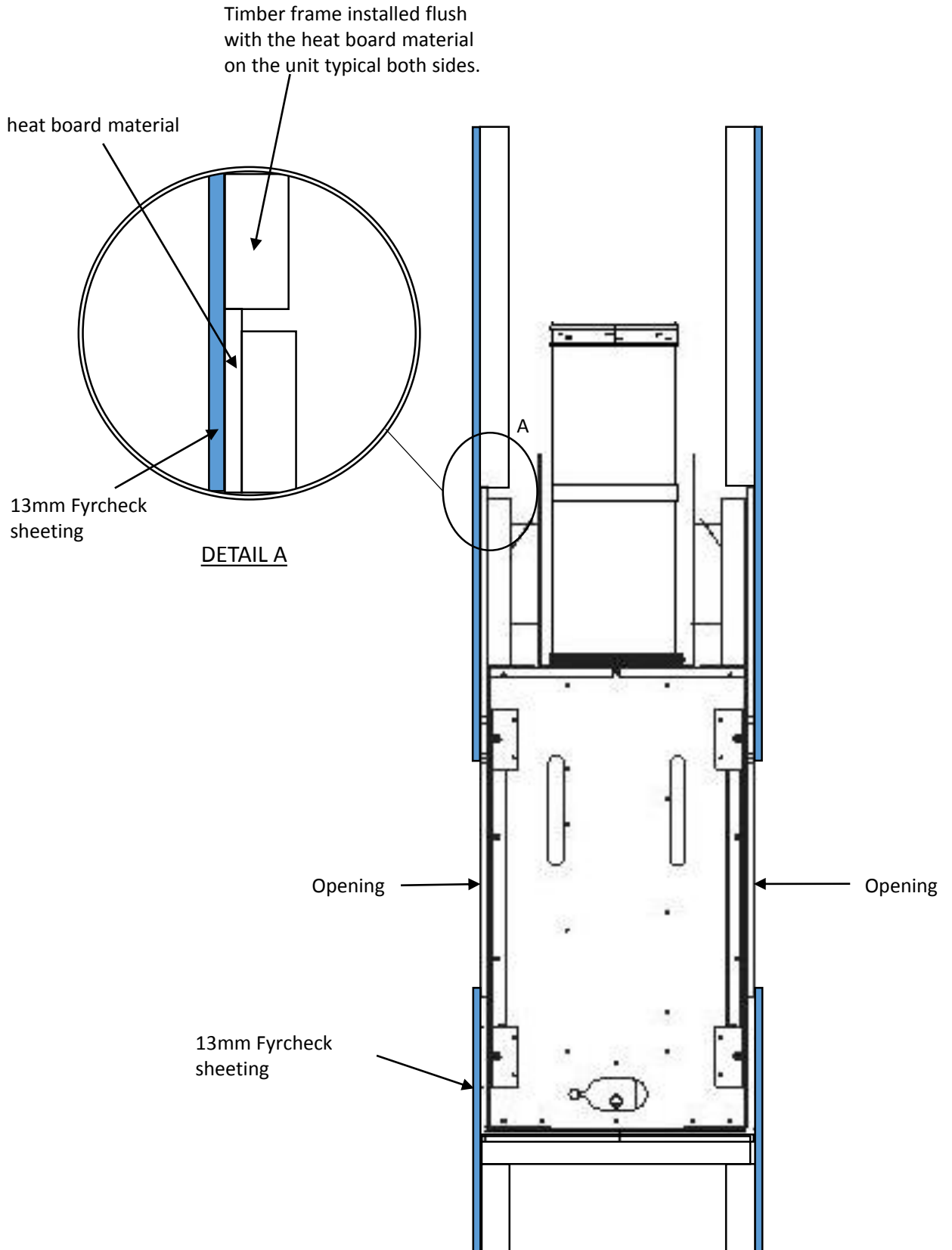
MEZZO SEE THROUGH AUSTRALIAN FRAMING DIMENSIONS



MEZZO SEE THROUGH FRAMING DIMENSIONS				
Variant	Vent opening (A)	Opening height (B)	Opening depth (C)	Opening width (D)
MEZZO-1300ST-AU	254	1085	464	1580

NOTE: ADD 712mm TO "D" MEASUREMENT WHEN USING ONE OR TWO HEATZONES

MEZZO SEE-THROUGH AUSTRALIAN SHEETING ATTACHMENT DETAIL



MEZZO AUSTRALIAN SHEETING ATTACHMENT DETAIL

Timber frame installed flush with the heat board material on the unit this side only.

