

Jetmaster
EST 1950

Brilliant Heat. Beautiful to Watch.

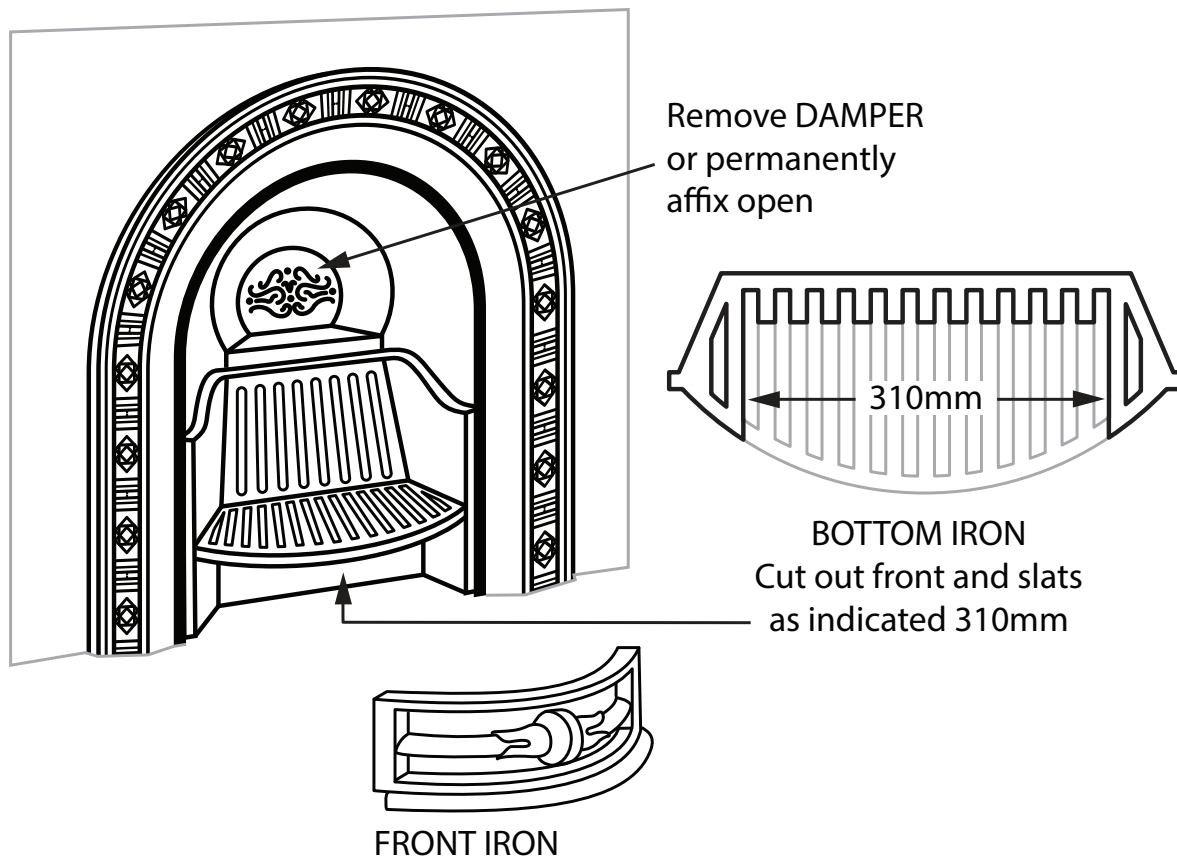


Installation Instructions
Jetmaster Federation 300 Decorative Gas Coal
Type I Burner



Jetmaster Federation 300 Decorative Gas Coal Type I Burner

Jetmaster Federation 300 Decorative Gas Coal Type I Burners are a fuel effect appliance intended for use in a fireplace suitable for the burning of wood. It is recommended that the Jetmaster Federation 300 Decorative Gas Coal Type I Burner be placed in a properly installed cast iron federation grate suitable for burning of wood.



Installation Instructions Jetmaster Federation 300 Decorative Gas Coal Type I Burner

Important

An authorised person in accordance with the manufacturers instructions should only carry out installation of this appliance. All relevant codes and regulations laid down by the gas supply authorities, uniform building regulations and the requirements of local municipal Authorities must be observed.

Data Plate

Refer to data plate for information in respect of gas pressure, consumption and gas type, natural gas or L.P.G. The data plate is located on a chain on the right hand leg support.

Injector Sizes	
LPG	1.35mm
Natural Gas	2.35mm

Appliance Dimension	
width	274mm
height	160mm(+ 60mm Legs)
depth	105mm

Location Requirements

For installation requirements refer to AS/NZS5601 and any local authority requirements.

1. The fireplace construction must be non-combustible and in accordance with the current Building Regulations for chimney and fireplace intended for solid fuel use.
2. The flue and/or chimney should be tested and proven to have an adequate updraught, which shall be sufficient to remove all waste products of combustion. A minimum cross-sectional area of 40,000sq mm is required with a minimum chimney of flue height of 3.6 meters. The installer must satisfy himself that the fireplace is functioning properly with a proven draught and a smoke test is recommended.
3. In cases where a twin walled metal flue is used and provided such flue shall comply with the clearances specified in AS/NZS 2918 & AS/NZS 5601.1 or manufacturer instructions in respect of clearance to combustibles.
4. A space of 40mm between the side wall of the fireplace and grate is required.
5. In cases where a metal flue is used, such flue shall comply with the standards relating to grade, quality and thickness as are current.
6. An approved flue cowl with a minimum cross-section of 40,000sq mm shall be affixed to the top of the flue or chimney. REF:AS/NZS 5601.1
7. The installer must remove or fix in an open position any damper, which may be affixed to or contained in any fireplace.
8. It should be noted that the Code AS/NZS 2286 (Space heating appliances-secondary guards) requires a dress guard to be affixed to the appliance or fireplace.
9. Ventilation: An opening to outside with a minimum free ventilation area of 400sq centimeters, shall be provided for each decorative gas log fire. Note: The chimney in which the appliance is installed is not to be considered as a ventilation opening.
10. The appliance shall be installed into a fireplace with a minimum opening of 300mm width and 135mm depth and shall be no greater than 1050mm width and 400mm depth.
11. The installer must test the operation of the appliance before leaving.
12. Only flue cowls conforming to AS 4566 or the proprietary cowl specified by the manufacturer shall be used.

Installation Instructions Jetmaster Federation 300 Decorative Gas Coal Type I Burner

Fitting the Gas Grate

1. Check unit is suitable for intended gas supply. The position of the gas control & inlet is on the right hand side and is 3/8" BSP female connection for LPG & 1/2" connection for NG.
A 1/2" regulator, (NG or LPG) is supplied and must be fitted. The gas cock is to be accessible to turn off the pilot. It is recommended that the fireplace & chimney be cleaned prior to fitting this heater.
2. The position of the gas control and inlet is on the right hand side and is 3/8" BSP female connection for L.P.G. gas. A 1/2" regulator is supplied when fitting to natural gas. The cock is accessible to turn off pilot. (It is recommended that the fireplace and chimney be cleaned prior to fitting the gas unit.)
3. Cut and debur both ends of pipe. Fit the end to the gas supply point and turn on for approximately 5 seconds to clear the pipe of any dirt or grit. Fit the other end to the gas unit.
4. The regulator supplied must be fitted, Natural gas: Bromic Brand. LPG: Maxitrol Brand
5. The regulator supplied and attached to the appliance is for natural gas.
6. Place the vermiculite in the burner tray spreading it evenly so that it is level with the sides of the burner tray. Never place the vermiculite any higher than sides of the tray.
7. Turn on the gas and check all connections for leaks using soapy water. Fix any leaks.

Laying the Fire

1. Unpack the coals contained in the clear plastic bag and lay a row of coals on the vermiculite along the back of the burner tray leaving approximately 12-15 mm between them.
2. Do not pack coals to the very edge of the burner. Leave space at the edges to allow free flow of gas.
3. Place a further row of coals directly in front of the first row but staggered so that the second row of coals are behind the gaps of the first row leaving approximately 12-15mm between the rows of each coal. Lay further rows of staggered coals depending on the size of the basket grate.
4. Once the bottom layer is completed, build up 2-3 tiers of coals in a honeycomb pattern to form an elongated pyramid.
5. Lay the coals so that some irregularity to the pile through which the flame may lick, is created. Your aim is to build "windows into the fire" through which the radiant effect may show but at the same time, not leaving such large gaps between the coals that excessive air may enter and "damp down" the red glow.
6. After the fire has been alight for 15 minutes, you may wish to add the odd coal or even relay the fire completely.
7. Allow to cool before touching the coals.
8. Experience will enable you to obtain a pleasing appearance with suitable heat output, but please bear in mind it is important to maintain the general pattern described above.

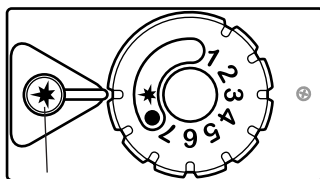
NOTE:

Use coals supplied by the manufacturer as other coals may effect combustion performance.

Installation Instructions Jetmaster Federation 300 Decorative Gas Coal Type I Burner

Lighting Instructions (See diagrams)

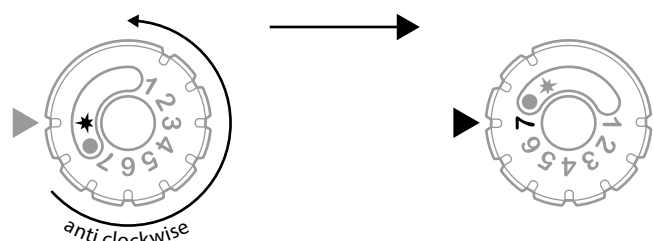
PILOT FLAME IGNITION



Piezo Button

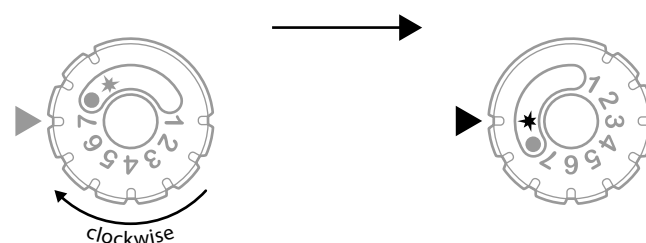
1. Depress and turn control knob to the PILOT ★ position.
2. Depress the control knob fully and at the same time light pilot by depressing piezo button to create spark to pilot. Maintain pilot by continuing to hold button in for 20 seconds. Release button and check that pilot stays lit. If it goes out repeat ignition procedure.

MAIN BURNER IGNITION



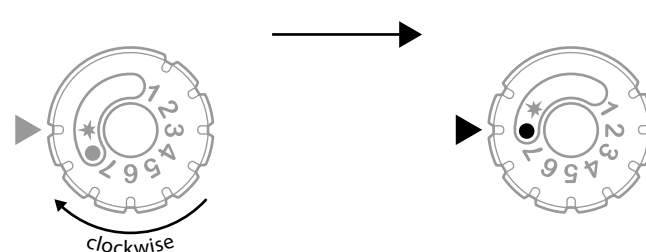
1. Depress and turn control knob anti-clockwise from PILOT position to the ON (7) position. When the automatic solenoid valve is energised, gas passage to main burner is opened. Once burner is on, knob can be turned to low FIRE position to obtain minimum gas flow.

TURNING MAIN BURNER OFF WITH PILOT BURNING



1. Depress and turn control knob clockwise from ON to PILOT position.

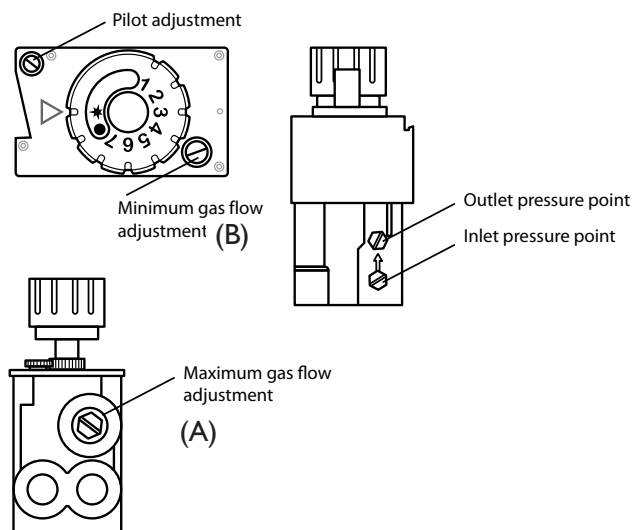
TURNING PILOT AND MAIN BURNER OFF



1. Depress and turn control knob clockwise from PILOT position to OFF position.

Adjusting Pressure, Pilot and Low Fire

1. All settings are set to operate at appropriate pressures (see data plate affixed to the side of the appliance). Test point is located on gas valve.
2. Check low fire if adjusted correctly.
3. The pressure can be measured on the gas valve and the regulator and be adjusted by turning the screws on the gas valve (A) Maximum gas flow adjustment and (B) Minimum gas flow adjustment points. (See diagrams on right).



Installation Instructions Jetmaster Federation 300 Decorative Gas Coal Type I Burner

Safety Checks

Installed correctly, the burner should not emit any fumes into the room. The following procedures should be undertaken to test that the unit is operating correctly.

1. After unit has been operating for a short period a smoke match, smoke tube, carbon dioxide analyser or similar should be directed at the top opening of the unit.
2. This procedure should be undertaken with the following conditions in the room:
 - Windows opened and closed
 - Operation of extraction/exhaust fans, range hoods etc
 - Operation of other gas appliances
 - Operation of optional appliance fan at any speed
3. Should any spillage be detected the cause must be rectified before allowing commissioning of unit.

Note: check for spillage in accordance with the above procedure & AS/NZS 5601.1

Warranty

Provided the appliance has been correctly installed according to instructions, Jetmaster guarantee the cost of replacing parts and the labour in connection therewith for a period of 12 months from date of installation.

Should the appliance be subject to a service contract the replacement of the parts and the service involved in such replacement shall be at no charge to the owner and the warranty shall be extended to 3 years (provided of course, the appliance had been continuously serviced by an approved Jetmaster agent).

User Instructions

1. **WARNING:** Properly installed and operated this appliance will not leak gases. Persistent fume emission must not be tolerated. If fume emission does exist, then the following immediate action should be taken:
 - a. Open doors and windows to ventilate room
 - b. Turn the fire off
 - c. Check for flue blockage and clear if necessary
 - d. Do not attempt to relight the burner until the cause of the emission has been identified and rectified. Should assistance or advice be required contact nearest agent.
 - e. The gas grate is recommended for use in a Jetmaster firebox which has been designed to ensure a proper draw and to eliminate emission spillage
2. Initially the Jetmaster coal fire may burn with a slightly blue flame. After approximately 20 minutes the fire will settle down and burn with a yellow flame.
3. As with all gas appliances your gas coal fire should be regularly serviced. We recommend once each year. Contact your nearest Jetmaster authorised agent to provide service. The routine for an authorised person to follow has been set out in attached leaflet.
4. Only coals provided by Jetmaster should be used with this appliance.
5. **DO NOT PLACE ARTICLES ON OR AGAINST THIS APPLIANCE.**
6. **DO NOT USE OR STORE FLAMMABLE MATERIALS NEAR THIS APPLIANCE.**
7. **DO NOT SPRAY AEROSOLS IN VICINITY OF THIS APPLIANCE WHILE IT IS IN OPERATION.**
8. **DO NOT MODIFY THIS APPLIANCE.**
9. The Jetmaster Federation 300 Decorative Gas Coal Type I Burner is primarily a decorative and not a heating appliance.
10. This appliance may exhibit slight carbon deposition.
11. **Re: Primary Guard.** The guard is fitted to the appliance to reduce the risk of fire or injury from burns and no part of it should be permanently removed. For the protection of young children or the infirm a secondary guard is required.