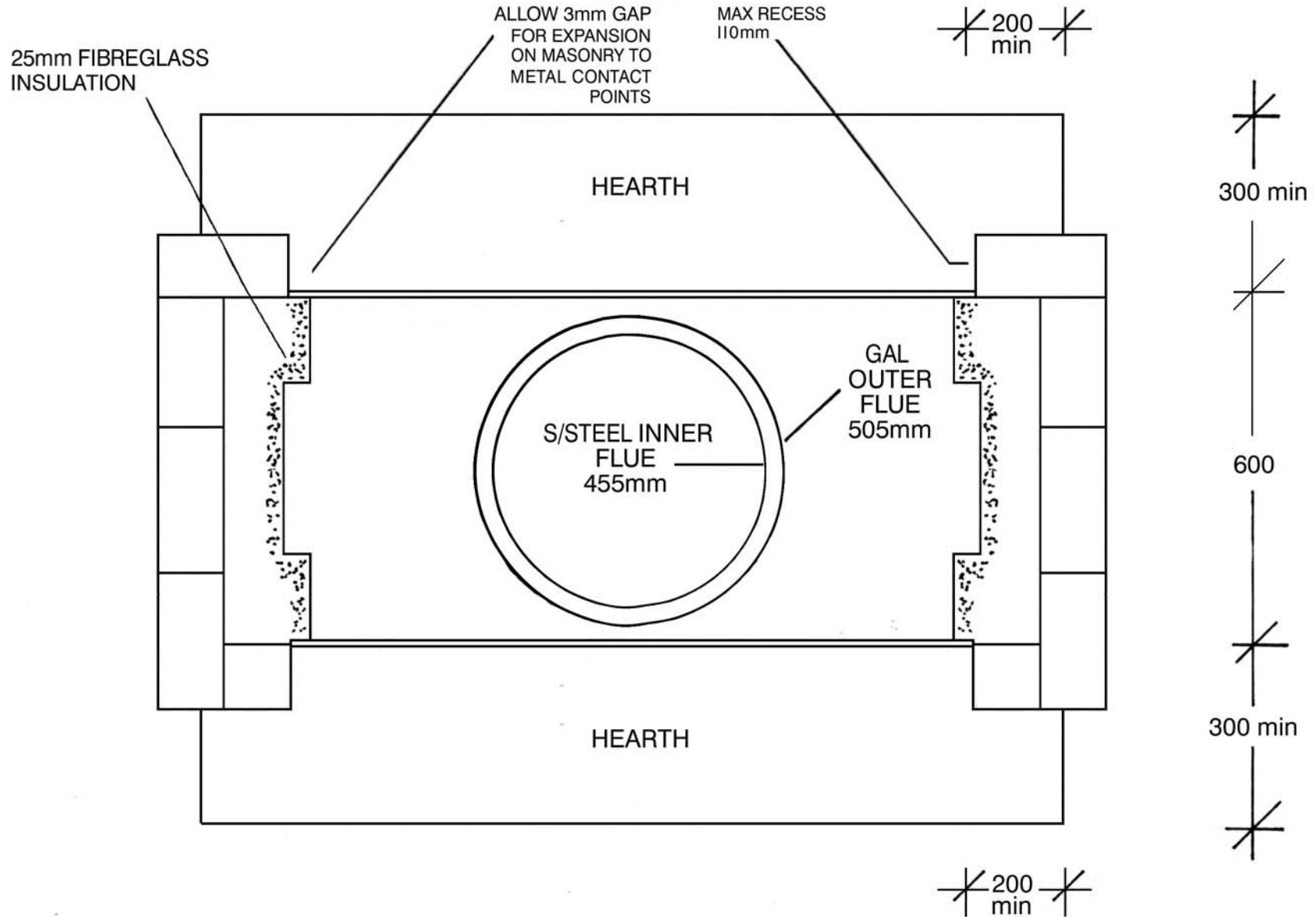
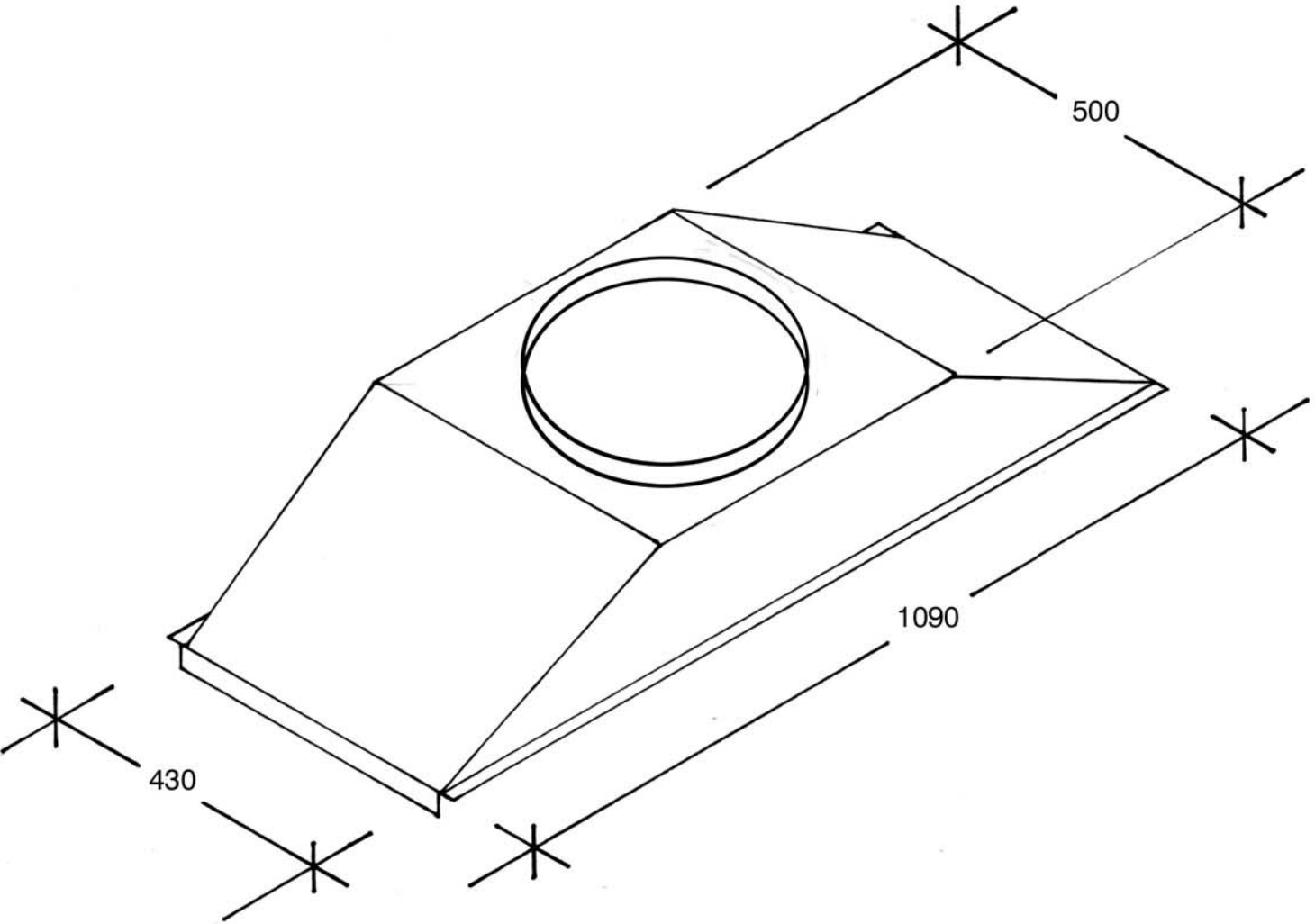


INSTALLATION SPECIFICATIONS



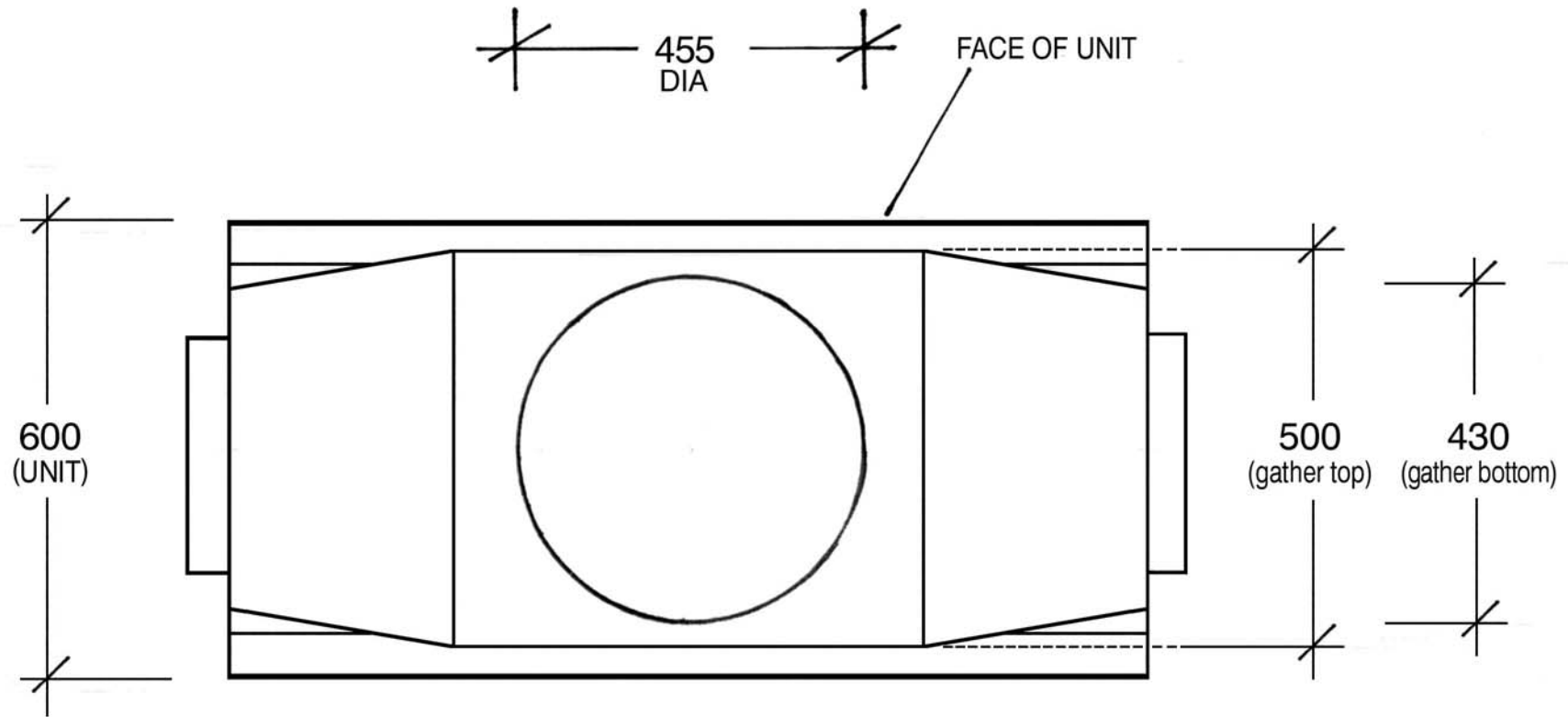
Jetmaster Universal 1050 Double Sided

GATHER (PERSPECTIVE)

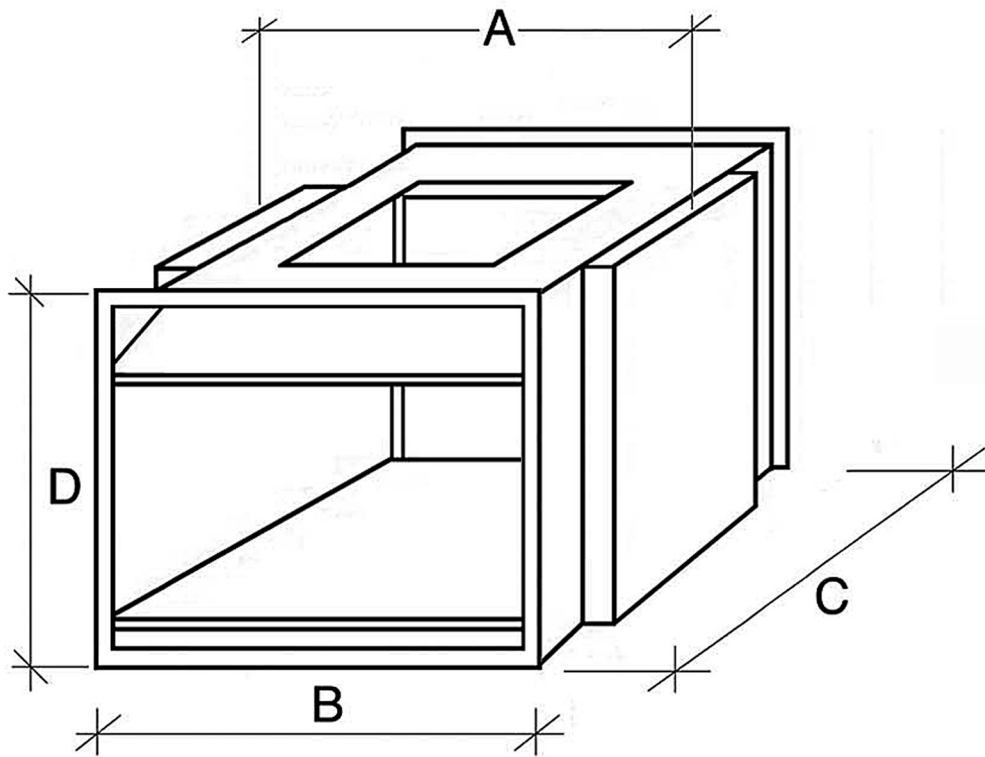


Jetmaster Universal 1050 Double Sided

GATHER (PLAN VIEW)

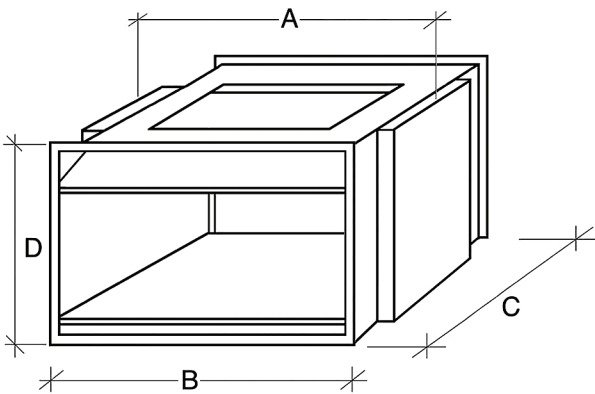
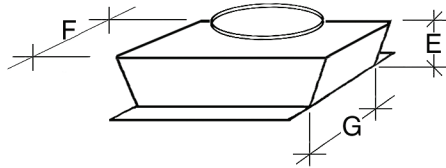


Jetmaster Universal Double Sided



Dimensions in mm.					Heating capacity Cubic Meters	
MODEL	A	B	C	D	Wood	Gas
1050	1205	1150	600	770	300	N/A

JETMASTER DOUBLE-SIDED "A"



MODEL	A	B	C	D	E	F	G
1050	1205	1150	600	770	220	500	430

